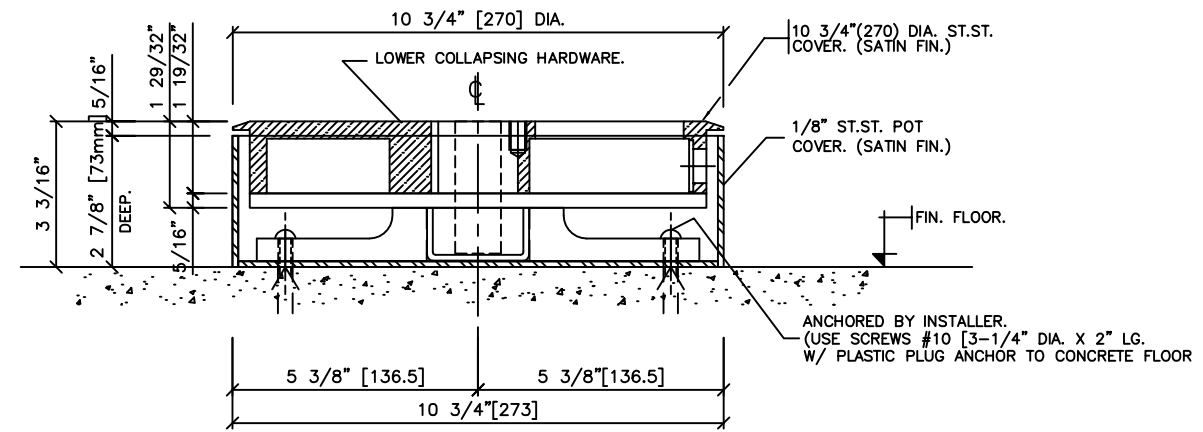
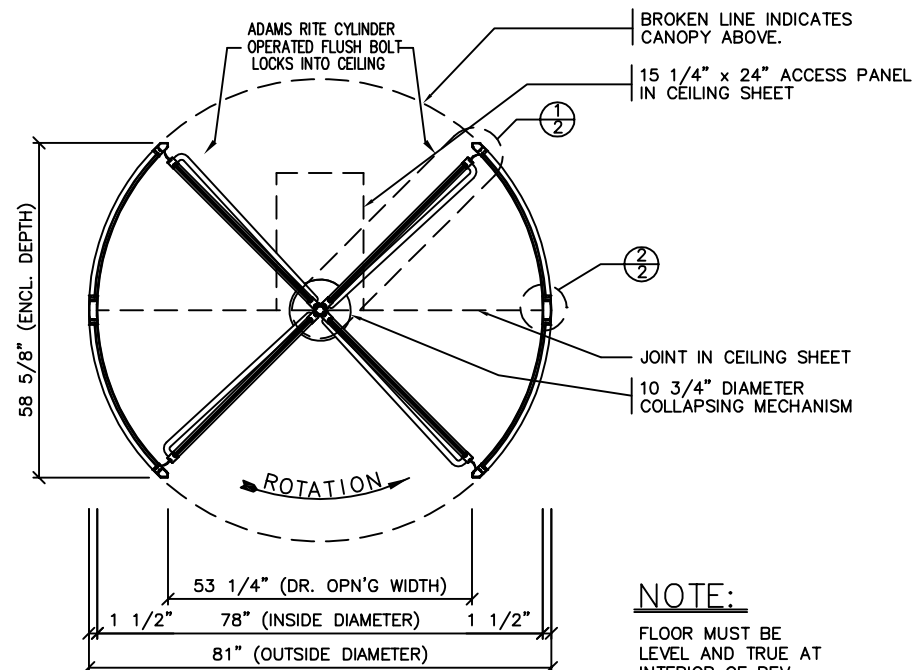


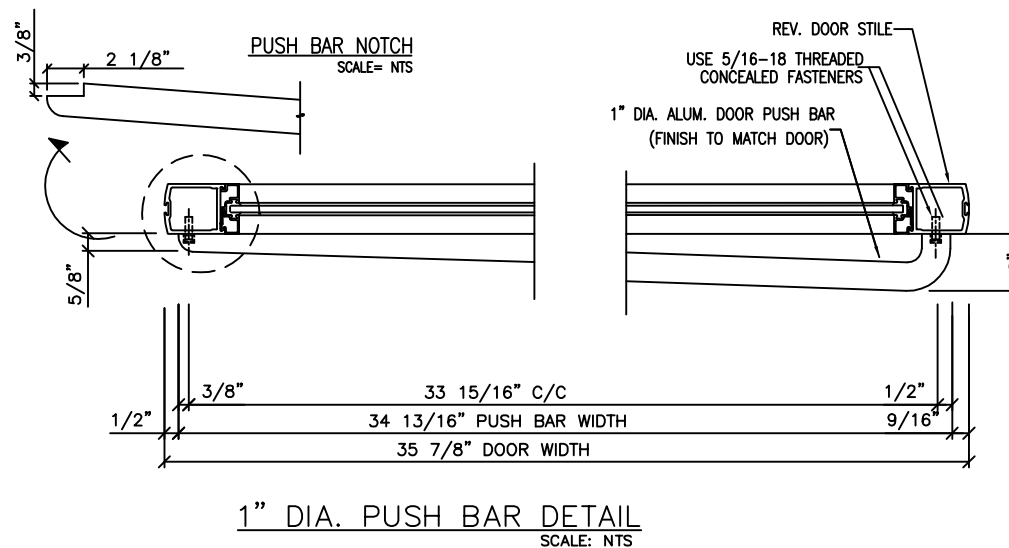
REVOLVING DOOR ENTRANCE ELEVATION
1 REQUIRED



DETAIL - 4 WING EXPOSED LOWER COLLAPSING MECH.
NOT TO SCALE



NOTE:
FLOOR MUST BE
LEVEL AND TRUE AT
INTERIOR OF REV.
DOOR.



1" DIA. PUSH BAR DETAIL
SCALE: NTS

CUSTOMER NOTE:

PROVIDE FINISH: _____

CURVED GLASS TINT= CLEAR
DR. WG. GLASS TINT= CLEAR

SPEED CONTROL= O/H MANUAL

REVOLVING DOOR ENTRANCE PLAN

Date	REVISIONS	By	Issue
No.	ISSUED		Date
FOR APPROVAL			

IMPORTANT NOTICE

C.J.Rush Industries wishes to bring to your attention the following, for which we assume NO RESPONSIBILITY:
(1) The use of these drawings by other parties is the sole responsibility of that party as to site conditions, measurements, etc..
(2) Movement of structures by forces causing misalignment and improper function of our product.
(3) Results of glass breakage causing bodily harm through improper use or mischief.

NOTE-Available for use in limited sizes are bent laminated glass in lieu of bent annealed plate glass.
-Specifications prevail at time of quotation issued by C.J.Rush Industries.

SPECIAL REFERENCE NOTE

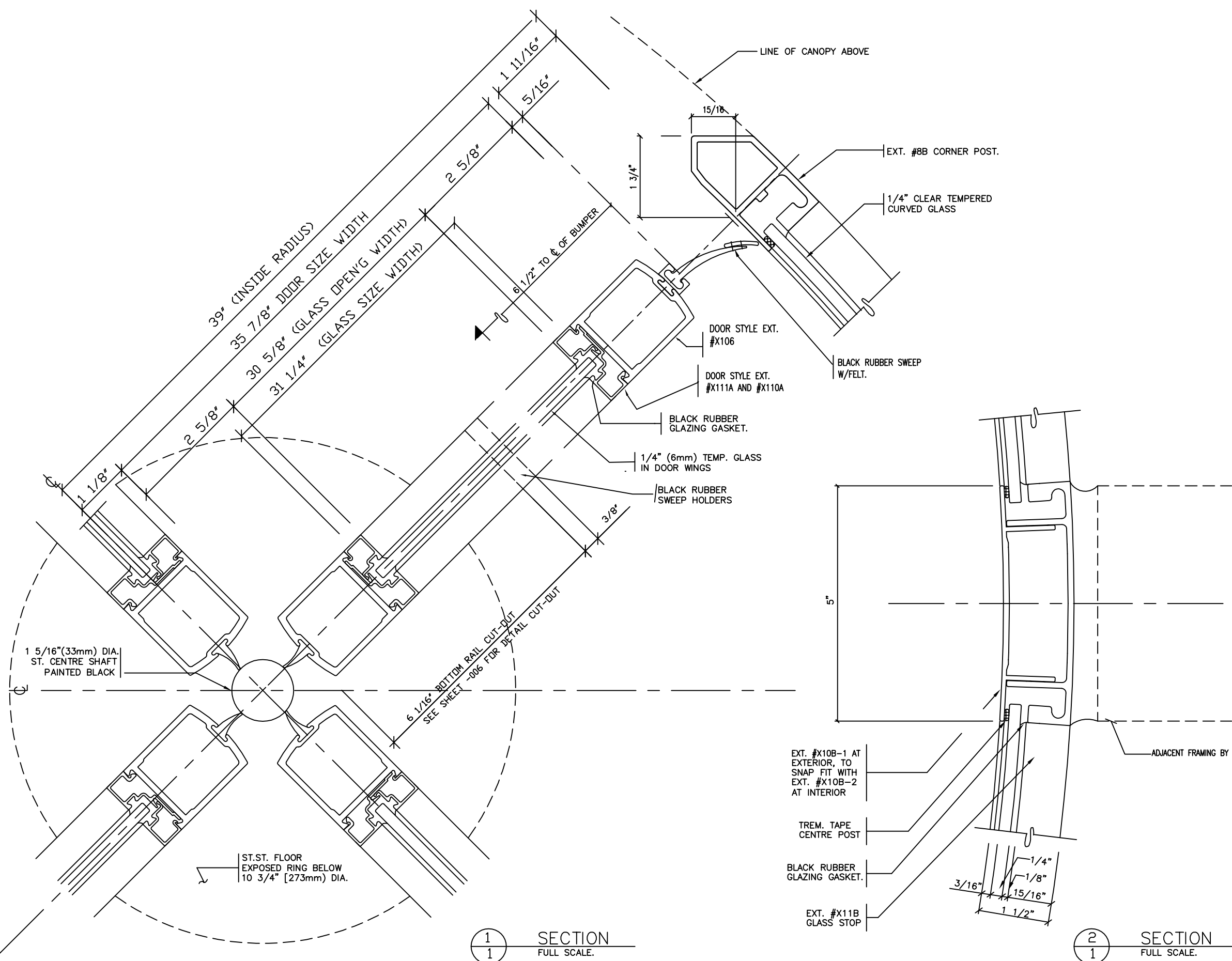
Very often the method of manufacturing as shown on these shop drawings are a development of the skills of the company. Any reproduction and or distribution in whole or in part, without expressed or written consent is strictly prohibited.
C.J.Rush Industries.



c.j. rush industries
65 RIVIERA DRIVE Tel. 888-301-5407
MARKHAM, ONT. 905-944-8005
CANADA, L3R 5J6 Fax 905-944-8006

500 SERIES
REVOLVING DOOR
PLAN/ELEV/DETAILS

BUILDING _____	
LOCATION _____	
ARCH-ENG. _____	
CONTRACTOR _____	
Drawn by KH	Job No. _____
Checked by ET.	_____
Scale 3/4"=1'-0"	
Date _____	Dwg. No.
Finish _____	001



Date	REVISIONS	By	Issue

No.	ISSUED	Date

IMPORTANT NOTICE

C.J.Rush Industries wishes to bring to your attention the following, for which we assume NO RESPONSIBILITY:

- (1) The use of these drawings by other parties is the sole responsibility of that party as to site conditions, measurements, etc.,
- (2) Movement of structures by forces causing misalignment and improper function of our product.
- (3) Results of glass breakage causing bodily harm through improper use or mischief.

NOTE--Available for use in limited sizes are bent laminated glass in lieu of bent annealed plate glass.

-Specifications prevail at time of quotation issued by C.J.Rush Industries.

SPECIAL REFERENCE NOTE

Very often the method of manufacturing as shown on these shop drawings are a development of the skills of the company. Any reproduction and or distribution in whole or in part, without expressed or written consent is strictly prohibited.

C.J.Rush Industries.



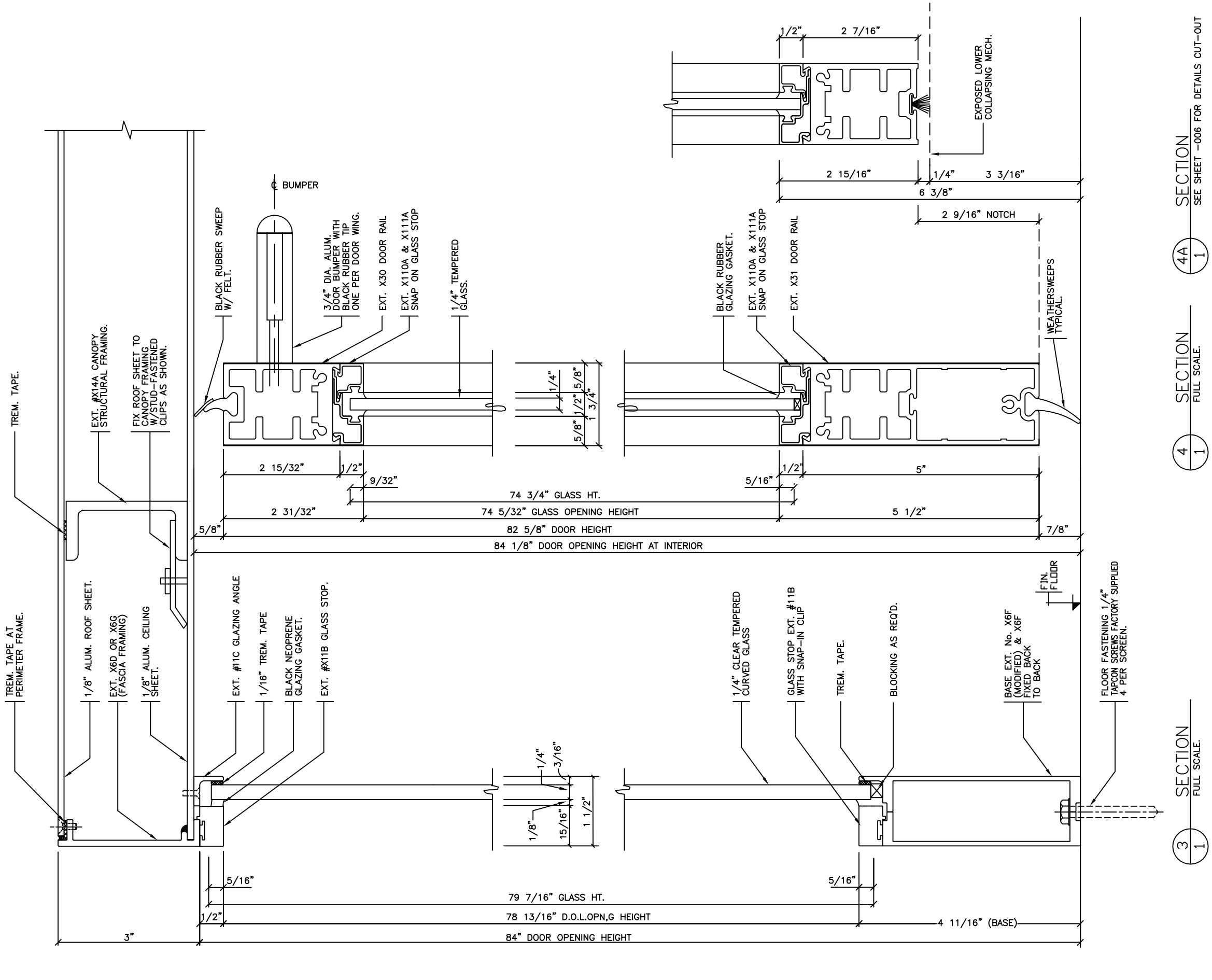
c.j. rush industries
65 RIVIERA DRIVE
MARKHAM, ONT. CANADA, L3R 5J6
Tel. 888-301-5407
905-944-8005
Fax 905-944-8006

**500 SERIES REVOLVING DOOR
HORIZ-SECTION**

BUILDING	--
LOCATION	--
ARCH-ENG.	
CONTRACTOR	--
Drawn by KH	Job No.
Checked by ET	-----
Scale FULL SIZE	
Date DEC.20/07	Dwg. No.
Finish	002

1 SECTION FULL SCALE.

2 SECTION FULL SCALE.



Date	REVISIONS	By	Issue
No.	ISSUED	Date	
	FOR APPROVAL	---	

IMPORTANT NOTICE

C.J.Rush Industries wishes to bring to your attention the following, for which we assume NO RESPONSIBILITY:

- (1) The use of these drawings by other parties is the sole responsibility of that party as to site conditions, measurements, etc..
- (2) Movement of structures by forces causing mis-alignment and improper function of our product.
- (3) Results of glass breakage causing bodily harm through improper use or mischief.

NOTE-Available for use in limited sizes are bent laminated glass in lieu of bent annealed plate glass.

-Specifications prevail at time of quotation issued by C.J.Rush Industries.

SPECIAL REFERENCE NOTE

Very often the method of manufacturing as shown on these shop drawings are a development of the skills of the company. Any reproduction and or distribution in whole or in part, without expressed or written consent is strictly prohibited.

C.J.Rush Industries.



c.j. rush industries

65 RIVIERA DRIVE
MARKHAM, ONT.
CANADA, L3R 5J6

Tel. 888-301-5407
905-944-8005
Fax 905-944-8006

500 SERIES REVOLVING DOOR VERTICAL-SECTION

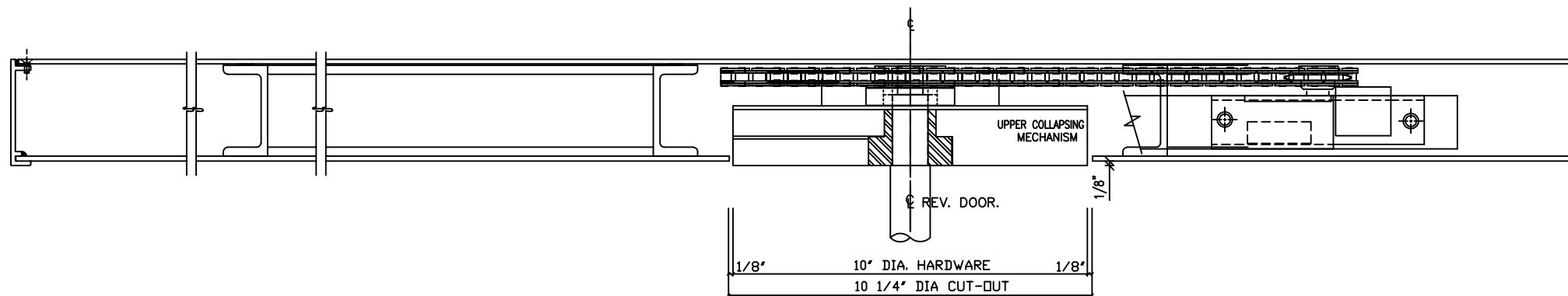
BUILDING --	
LOCATION --	
ARCH-ENG.	
CONTRACTOR --	
Drawn by --	Job No.
Checked by ET	--
Scale FULL SIZE	Dwg. No. 003
Date --	
Finish	

NOTE: ABSOLUTELY NO LOAD IS TO BE IMPOSED ON C.J. RUSH CANOPY.

EXTERIOR

INTERIOR

OVERHEAD MANUAL SPEED CONTROL



5 SECTION
1 HALF FULL SCALE.

Date	REVISIONS	By	Issue
No.	ISSUED	Date	
Δ	REVISED AS NOTED	OCT.5/06	

IMPORTANT NOTICE

C.J.Rush Industries wishes to bring to your attention the following, for which we assume NO RESPONSIBILITY:

- (1) The use of these drawings by other parties is the sole responsibility of that party as to site conditions, measurements, etc.,
- (2) Movement of structures by forces causing mis-alignment and improper function of our product.
- (3) Results of glass breakage causing bodily harm through improper use or mischief.

NOTE-Available for use in limited sizes are bent laminated glass in lieu of bent annealed plate glass.

-Specifications prevail at time of quotation issued by C.J.Rush Industries.

SPECIAL REFERENCE NOTE

Very often the method of manufacturing as shown on these shop drawings are a development of the skills of the company. Any reproduction and or distribution in whole or in part, without expressed or written consent is strictly prohibited.

C.J.Rush Industries.



c.j. rush industries

65 RIVERA DRIVE MARKHAM, ONT. CANADA, L3R 5J6 Tel. 888-301-5407 905-944-8005 Fax 905-944-8006

----- SERIES
REVOLVING DOOR
CANOPY-SECTION

BUILDING	---
LOCATION	--
ARCH-ENG.	
CONTRACTOR	--
Drawn by KH	Job No. 004
Checked by ET	
Scale HALF FULL SIZE	Dwg. No. 004
Date SEPT.18/06	
Finish AS SHOWN	