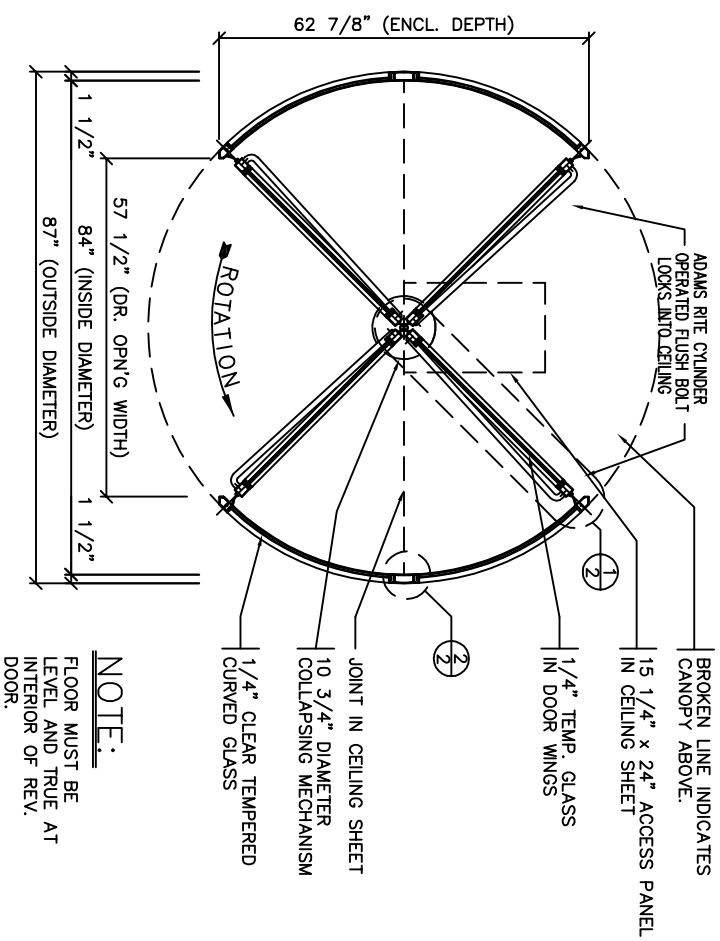
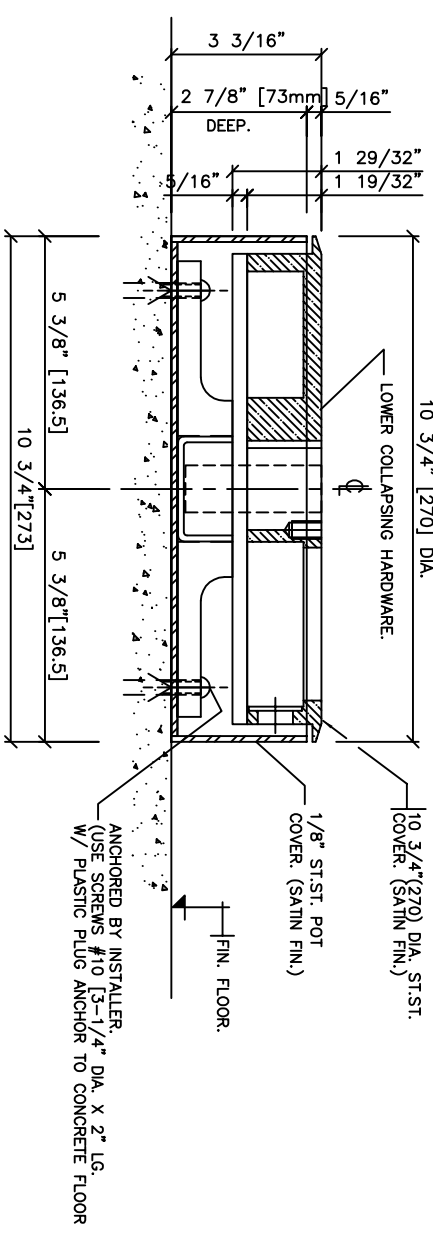


REVOLVING DOOR ENTRANCE ELEVATION
1 REQUIRED

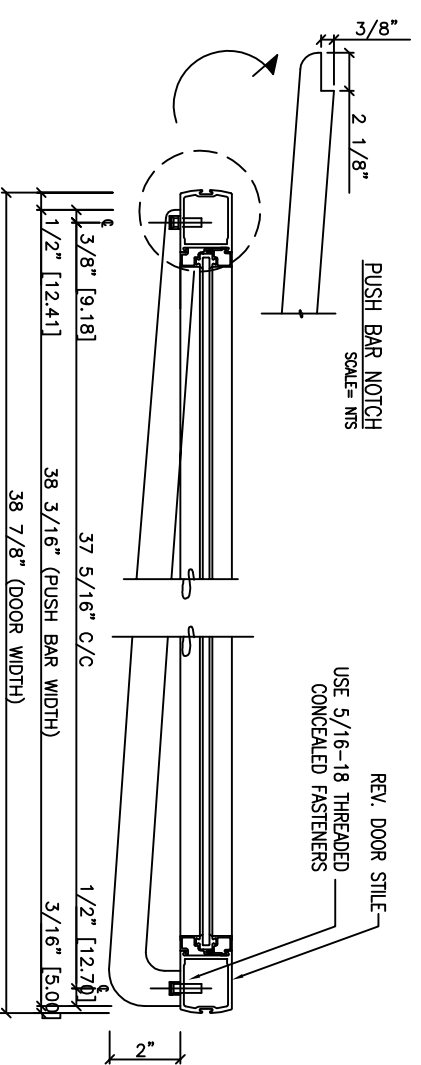


SHOP NOTE:
 FINISH= STANDARD BRONZE
 CURVED GLASS TINT= CLEAR
 DR. WG. GLASS TINT= CLEAR
 SPEED CONTROL= 0/H MANUAL

REVOLVING DOOR ENTRANCE PLAN



DETAIL - 4 WING EXPOSED LOWER COLLAPSING MECH.
 NOT TO SCALE



ALUMINUM PUSH BAR DETAIL
 SCALE: NTS

Date	REVISIONS	By	Issue

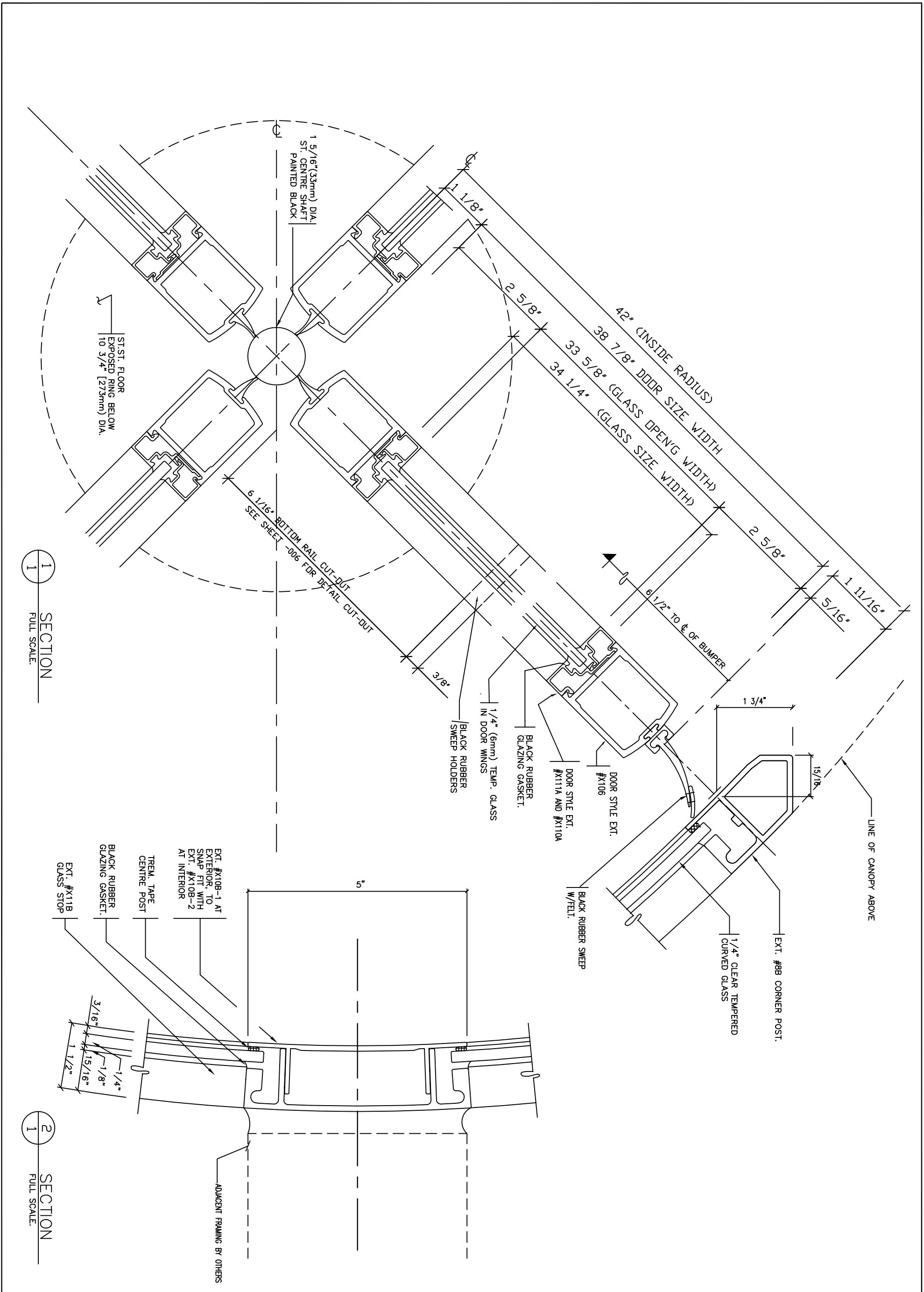
IMPORTANT NOTICE
 Stanley/Rush wishes to bring to your attention the following for which we assume NO RESPONSIBILITY:
 (1) The use of these drawings by other parties is the sole responsibility of that party as to site conditions, measurements, etc.
 (2) Movement of structures by forces causing misalignment and improper function of our product.
 (3) Results of glass breakage causing bodily harm through improper use or misuse.

SPECIAL REFERENCE NOTE
 Very often the method of manufacturing as shown on these shop drawings are a development of the skills of the company. Any reproduction and or distribution in whole or in part, without expressed or written consent is strictly prohibited.
 Stanley/Rush

STANLEY RUSH
 65 RIVERA DRIVE
 MARKHAM, ONT.
 CANADA, L3R 5J6
 Tel. 888-301-5407
 905-944-8005
 Fax 905-944-8006

**500 SERIES
 REVOLVING DOOR
 PLAN/ELEV/DETAILS**

BUILDING	?
LOCATION	?
ARCH-ENG.	?
CONTRACTOR	?
Drawn by KH	Job No. ?
Checked by ET	?
Scale 3/4"=1'-0"	
Date ?	Dwg. No. 01
Finish	



1 SECTION FULL SCALE

2 SECTION FULL SCALE

Date	REVISIONS	By	Issue

IMPORTANT NOTICE

Stanley Rush wishes to bring to your attention the following, for which we assume NO RESPONSIBILITY:

- (1) The use of these drawings by other parties is the sole responsibility of that party as to site conditions, measurements, etc.,
- (2) Movement of structures by forces causing misalignment and improper function of our product.
- (3) Results of glass breakage causing bodily harm through improper use or mischief.

SPECIAL REFERENCE NOTE

Very often the method of manufacturing as shown on these shop drawings are a development of the skills of the company. Any reproduction and or distribution in whole or in part, without expressed or written consent is strictly prohibited.

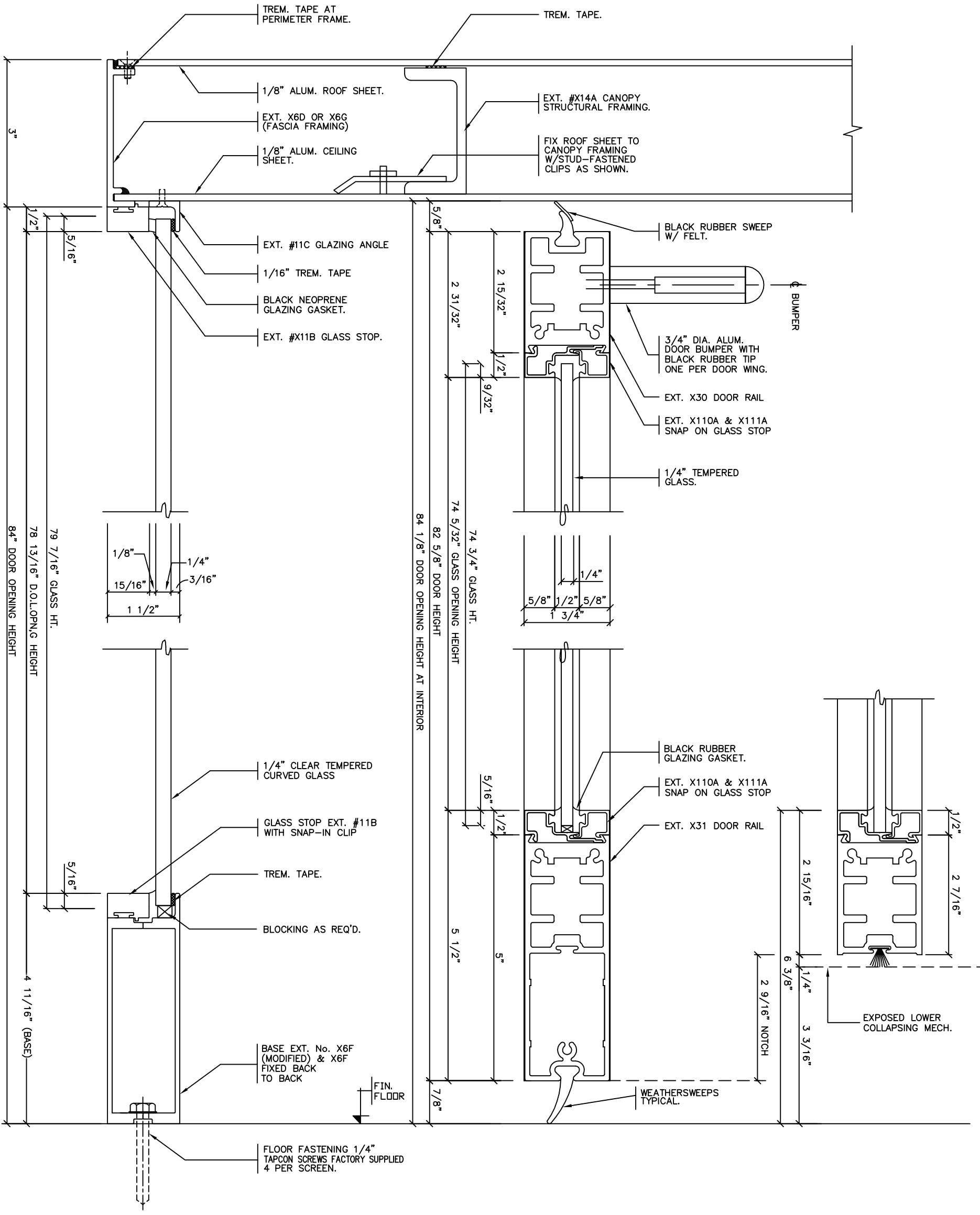
Stanley Rush



STANLEY RUSH
 65 RIVERA DRIVE
 MARKHAM, ONT.
 CANADA, L3R 5J6
 Tel: 888-301-5407
 905-944-8005
 Fax: 905-944-8006

500 SERIES REVOLVING DOOR HORIZ-SECTION

BUILDING ?	Job No.
LOCATION ?	?
ARCH-ENG.	
CONTRACTOR ?	
Drawn by ?	
Checked by ?	
Scale FULL SIZE	
Date ?	Dwg. No. 02
Finish	



3
SECTION
FULL SCALE.

4
SECTION
FULL SCALE.

4A
SECTION
SEE SHEET -006 FOR DETAILS CUT-OUT

Date	REVISIONS	By	Issue

IMPORTANT NOTICE
Stanley Rush wishes to bring to your attention the following, for which we assume NO RESPONSIBILITY:
(1) The use of these drawings by other parties is the sole responsibility of that party as to site conditions, measurements, etc.
(2) Movement of structures by forces causing misalignment and improper function of our product.
(3) Results of glass breakage causing bodily harm through improper use or mischance.

SPECIAL REFERENCE NOTE
Very often the method of manufacturing as shown on these shop drawings are a development of the skills of the company. Any reproduction and/or distribution in whole or in part, without expressed or written consent is strictly prohibited.
Stanley Rush

STANLEY RUSH
500 SERIES REVOLVING DOOR VERTICAL-SECTION

65 RIVERA DRIVE MARKHAM, ONT. CANADA, L3R 5J6
Tel: 888-301-5407
Fax: 905-944-8005
Fax: 905-944-8006

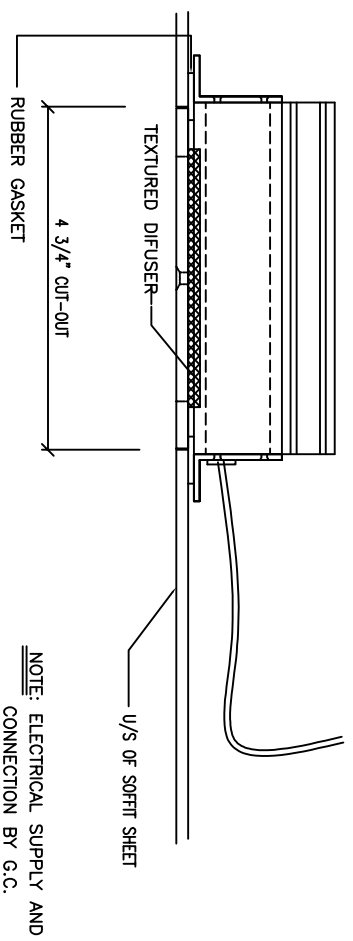
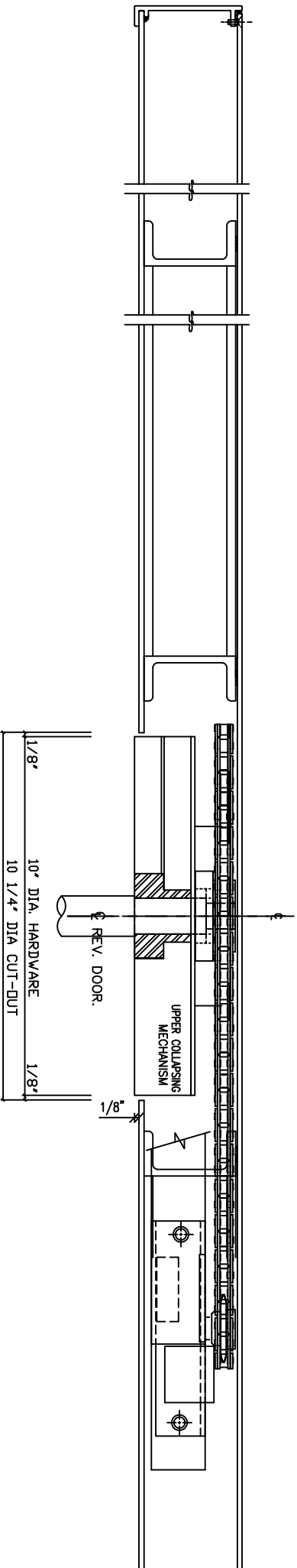
BUILDING	?	Job No.	?
LOCATION	?	Checked by	?
ARCH-ENG.	?	Scale	FULL SIZE
CONTRACTOR	?	Date	?
Drawn by	?	Dwg. No.	03
Finish			

NOTE: ABSOLUTELY NO LOAD IS TO BE IMPOSED ON C.J. RUSH CANOPY.

EXTERIOR

INTERIOR

OVERHEAD MANUAL SPEED CONTROL



5
1 SECTION
HALF FULL SCALE.

TYPICAL SECTION THROUGH CANOPY AT CEILING FIXTURE

SCALE: NONE

Date	REVISIONS	By	Issue

No.	ISSUED	Date

IMPORTANT NOTICE

Stanley Rush wishes to bring to your attention the following, for which we assume NO RESPONSIBILITY:

- (1) The use of these drawings by other parties is the sole responsibility of that party as to site conditions, measurements, etc.
- (2) Movement of structures by forces causing mis-alignment and improper function of our products.
- (3) Results of glass breakage causing bodily harm through improper use or mischief.

SPECIAL REFERENCE NOTE

Very often the method of manufacturing as shown on these shop drawings are a development of the skills of the company. Any reproduction and or distribution in whole or in part, without expressed or written consent is strictly prohibited.

Stanley Rush



65 RIVERA DRIVE
MARKHAM, ONT.
CANADA, L3R 5J6

Tel. 888-301-5407
905-944-8005
Fax 905-944-8006

500 SERIES
REVOLVING DOOR
CANOPY-SECTION

BUILDING	?		
LOCATION	?		
ARCH-ENG.	?		
CONTRACTOR	?		
Drawn by	?	Job No.	?
Checked by	?		
Scale HALF FULL SIZE		Dwg. No.	04
Date	?		
Finish	AS SHOWN		