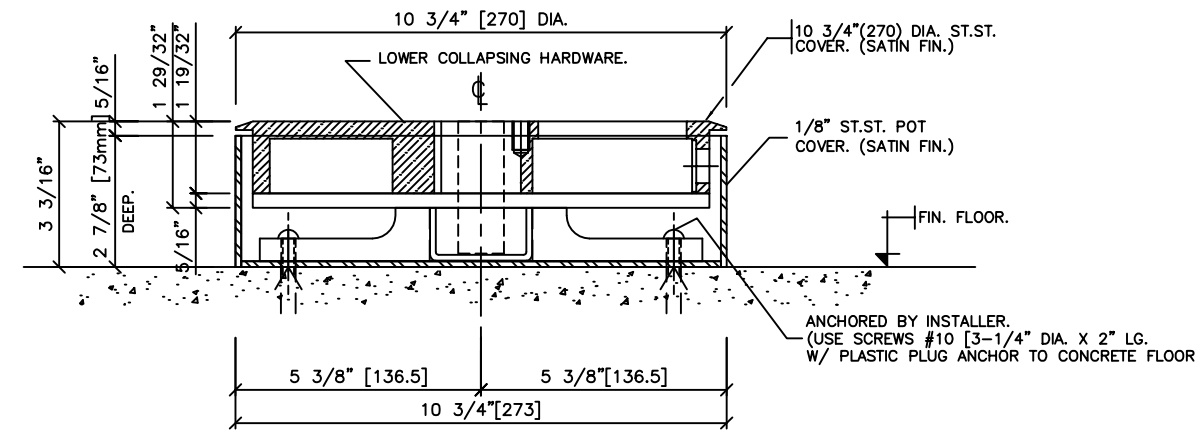
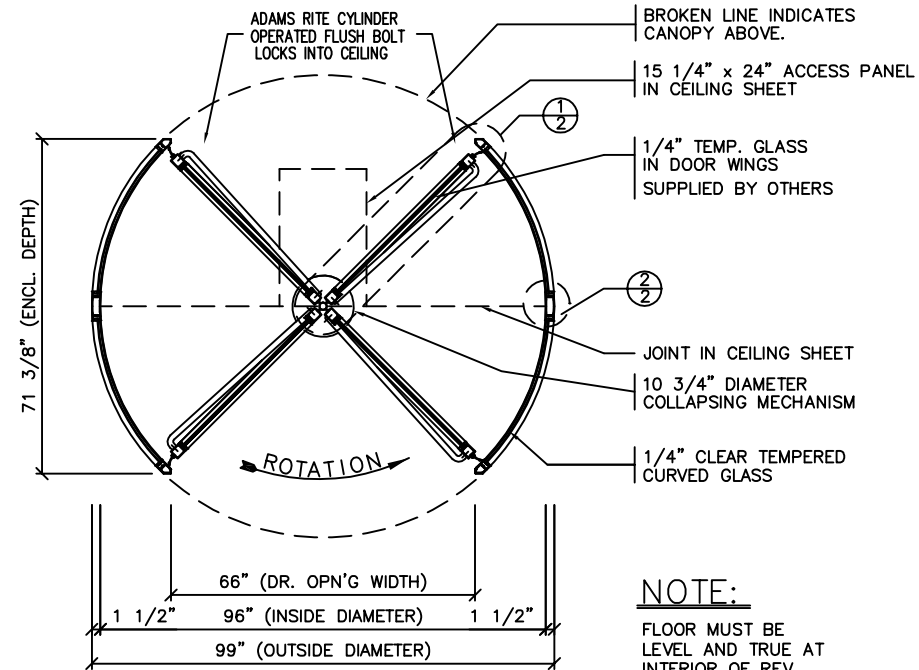


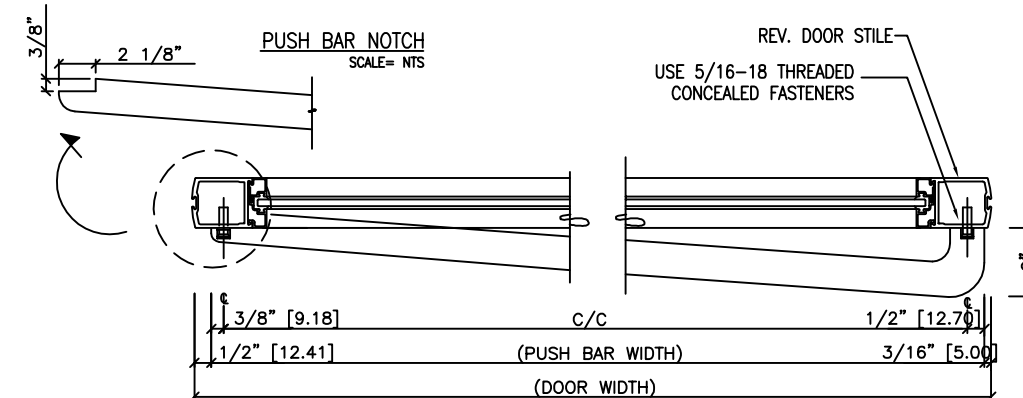
REVOLVING DOOR ENTRANCE ELEVATION
1 REQUIRED



DETAIL - 4 WING EXPOSED LOWER COLLAPSING MECH.
NOT TO SCALE



NOTE:
FLOOR MUST BE LEVEL AND TRUE AT INTERIOR OF REV. DOOR.



ALUMINUM PUSH BAR DETAIL
SCALE: NTS

Date	REVISIONS	By	Issue

IMPORTANT NOTICE
C.J.Rush Industries wishes to bring to your attention the following, for which we assume NO RESPONSIBILITY:
(1) The use of these drawings by other parties is the sole responsibility of that party as to site conditions, measurements, etc.
(2) Movement of structures by forces causing misalignment and improper function of our product.
(3) Results of glass breakage causing bodily harm through improper use or mischief.
NOTE-Available for use in limited sizes are bent laminated glass in lieu of bent annealed plate glass.
-Specifications prevail at time of quotation issued by C.J.Rush Industries.
SPECIAL REFERENCE NOTE
Very often the method of manufacturing as shown on these shop drawings are a development of the skills of the company. Any reproduction and or distribution in whole or in part, without expressed or written consent is strictly prohibited.
C.J.Rush Industries.

CUSTOMER NOTE:
PROVIDE FINISH: _____

CURVED GLASS TINT= CLEAR
DR. WG. GLASS TINT= CLEAR

SPEED CONTROL= O/H MANUAL

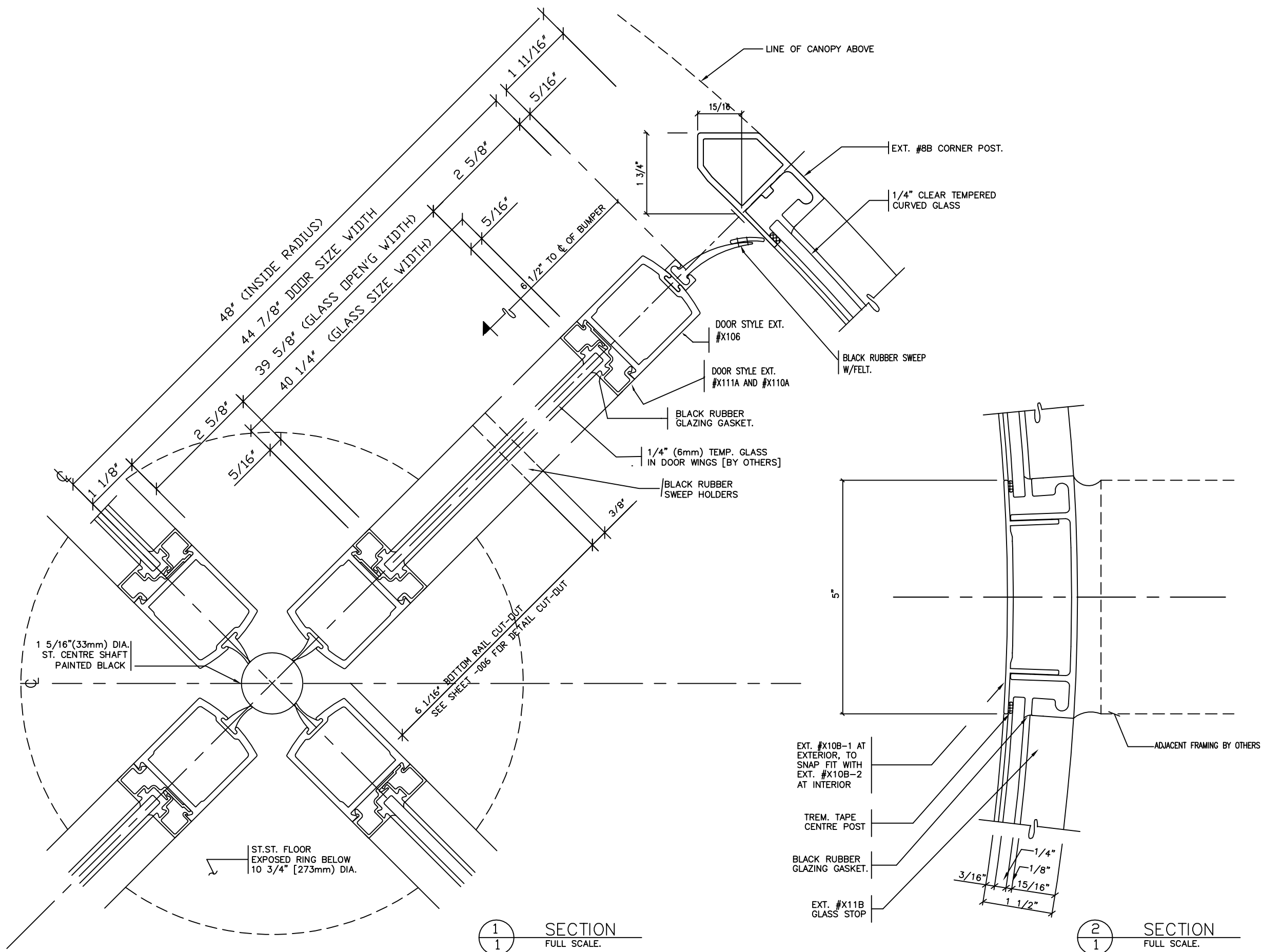
REVOLVING DOOR ENTRANCE PLAN



c.j. rush industries
65 RIVIERA DRIVE MARKHAM, ONT. CANADA, L3R 5J6
Tel. 888-301-5407
905-944-8005
Fax 905-944-8006

**500 SERIES
REVOLVING DOOR
PLAN/ELEV/DETAILS**

BUILDING	
LOCATION	
ARCH-ENG.	
CONTRACTOR	
Drawn by KH	Job No.
Checked by ET	
Scale 3/4"=1'-0"	Dwg. No.
Date	
Finish	001



1 SECTION
1 FULL SCALE.

2 SECTION
1 FULL SCALE.

Date	REVISIONS	By	Issue
No.	ISSUED	Date	

IMPORTANT NOTICE
 C.J.Rush Industries wishes to bring to your attention the following, for which we assume NO RESPONSIBILITY:
 (1) The use of these drawings by other parties is the sole responsibility of that party as to site conditions, measurements, etc.,
 (2) Movement of structures by forces causing misalignment and improper function of our product.
 (3) Results of glass breakage causing bodily harm through improper use or mischief.
 NOTE—Available for use in limited sizes are bent laminated glass in lieu of bent annealed plate glass.
 —Specifications prevail at time of quotation issued by C.J.Rush Industries.

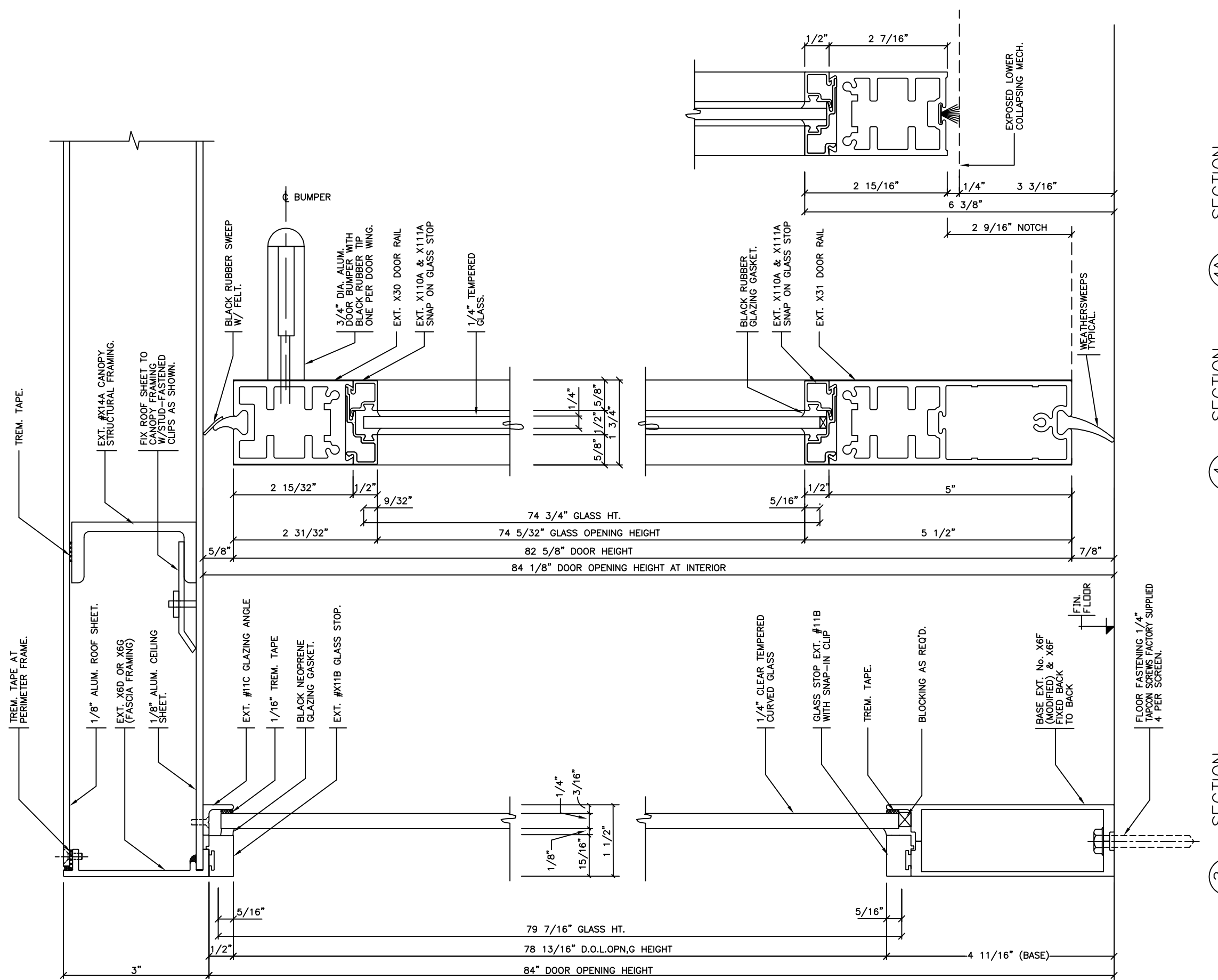
SPECIAL REFERENCE NOTE
 Very often the method of manufacturing as shown on these shop drawings are a development of the skills of the company. Any reproduction and or distribution in whole or in part, without expressed or written consent is strictly prohibited.
 C.J.Rush Industries.



c.j. rush industries
 65 RIVIERA DRIVE MarkHAM, ONT. CANADA, L3R 5J6
 Tel. 888-301-5407
 905-944-8005
 Fax 905-944-8006

**500 SERIES REVOLVING DOOR
 HORIZ-SECTION**

BUILDING NAVY ARMY FEDERAL CREDIT UNION	
LOCATION HOUSTON, TX	
ARCH-ENG.	
CONTRACTOR THE STANLEY WORKS	
Drawn by KH	Job No.
Checked by ET	10262
Scale FULL SIZE	Dwg. No.
Date JULY.26/10	002
Finish AS SHOWN	



SECTION 4A
SEE SHEET -006 FOR DETAILS CUT-OUT

SECTION 4
FULL SCALE.

SECTION 3
FULL SCALE.

Date	REVISIONS	By	Issue
No.	ISSUED	Date	
	FOR APPROVAL	---	

IMPORTANT NOTICE

C.J.Rush Industries wishes to bring to your attention the following, for which we assume NO RESPONSIBILITY:

- (1) The use of these drawings by other parties is the sole responsibility of that party as to site conditions, measurements, etc.,
- (2) Movement of structures by forces causing mis-alignment and improper function of our product.
- (3) Results of glass breakage causing bodily harm through improper use or mischief.

NOTE-Available for use in limited sizes are bent laminated glass in lieu of bent annealed plate glass.

-Specifications prevail at time of quotation issued by C.J.Rush Industries.

SPECIAL REFERENCE NOTE

Very often the method of manufacturing as shown on these shop drawings is a development of the skills of the company. Any reproduction and or distribution in whole or in part, without expressed or written consent is strictly prohibited.

C.J.Rush Industries.



c.j. rush industries
 65 RIVIERA DRIVE Tel. 888-301-5407
 MARKHAM, ONT. 905-944-8005
 CANADA, L3R 5J6 Fax 905-944-8006

500 SERIES REVOLVING DOOR VERTICAL-SECTION

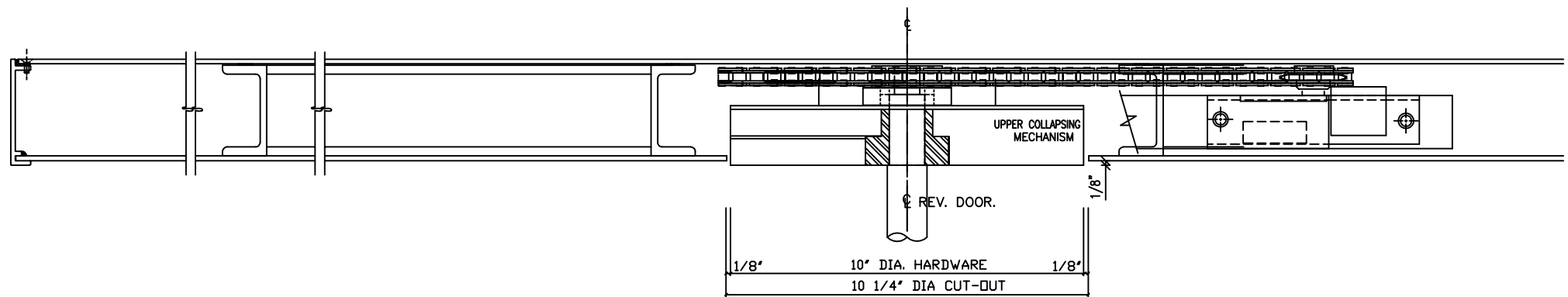
BUILDING	--
LOCATION	--
ARCH-ENG.	
CONTRACTOR	--
Drawn by	--
Checked by	ET
Scale	FULL SIZE
Date	--
Finish	
Job No.	--
Dwg. No.	003

NOTE: ABSOLUTELY NO LOAD IS TO BE IMPOSED ON C.J. RUSH CANOPY.

EXTERIOR

INTERIOR

OVERHEAD MANUAL SPEED CONTROL



5 SECTION
1 HALF FULL SCALE.

Date	REVISIONS	By	Issue
No.	ISSUED	Date	
△	REVISED AS NOTED	OCT.5/06	

IMPORTANT NOTICE
 C.J.Rush Industries wishes to bring to your attention the following, for which we assume NO RESPONSIBILITY:

- (1) The use of these drawings by other parties is the sole responsibility of that party as to site conditions, measurements, etc.,
- (2) Movement of structures by forces causing mis-alignment and improper function of our product.
- (3) Results of glass breakage causing bodily harm through improper use or mischief.

NOTE-Available for use in limited sizes are bent laminated glass in lieu of bent annealed plate glass.
 -Specifications prevail at time of quotation issued by C.J.Rush Industries.

SPECIAL REFERENCE NOTE
 Very often the method of manufacturing as shown on these shop drawings are a development of the skills of the company. Any reproduction and or distribution in whole or in part, without expressed or written consent is strictly prohibited.
 C.J.Rush Industries.



c.j. rush industries
 65 RIVERA DRIVE MARKHAM, ONT. CANADA, L3R 5J6
 Tel. 888-301-5407 905-944-8005
 Fax 905-944-8006

----- SERIES
 REVOLVING DOOR
 CANOPY-SECTION

BUILDING	---
LOCATION	--
ARCH-ENG.	
CONTRACTOR	--
Drawn by KH	Job No.
Checked by ET	004
Scale HALF FULL SIZE	Dwg. No.
Date SEPT.18/06	004
Finish AS SHOWN	