

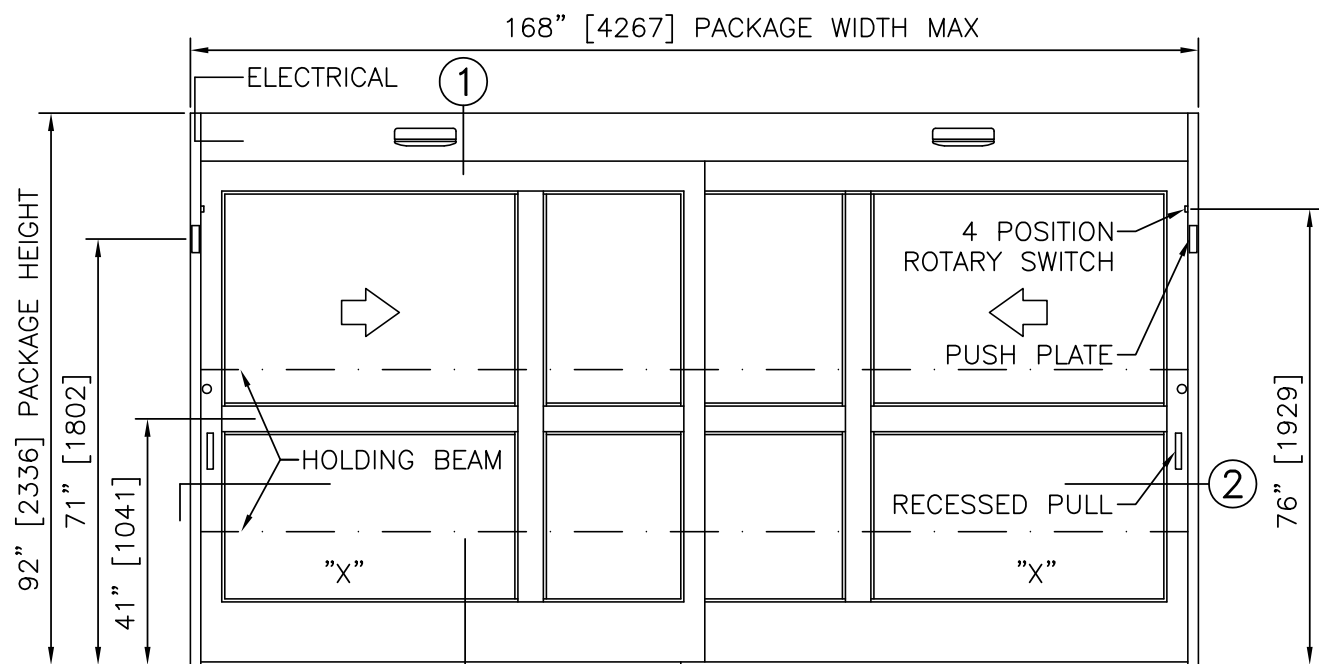


# CART DOOR

## CART DOOR, WITH OPTIONAL TRANSOM

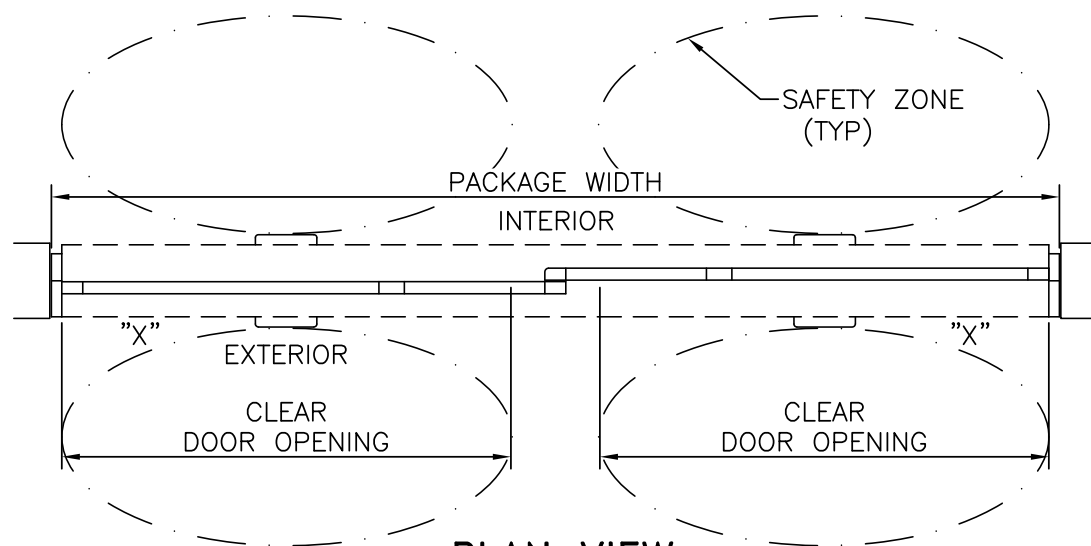
### PROJECT INFORMATION

PROJECT NAME: \_\_\_\_\_  
 LOCATION: \_\_\_\_\_  
 DOOR NUMBER(S): \_\_\_\_\_  
 DATE: \_\_\_\_\_ SHEET: OF \_\_\_\_\_



### ELEVATION VIEW

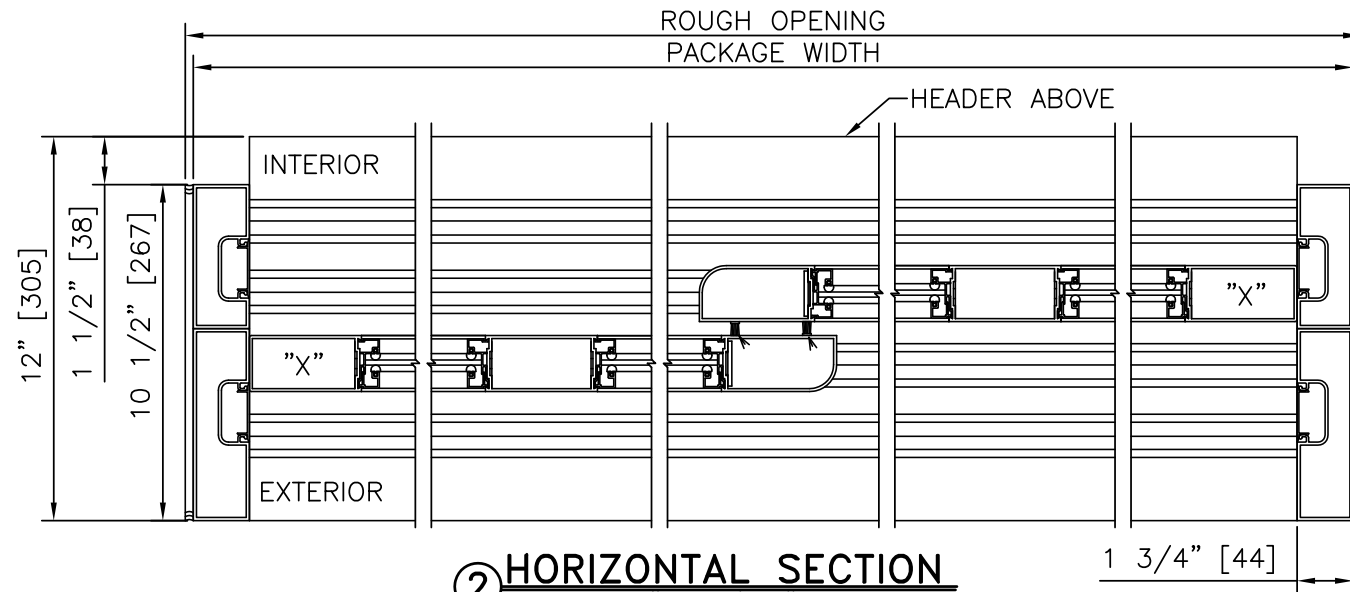
SCALE: 3/8" = 1'-0"



### PLAN VIEW

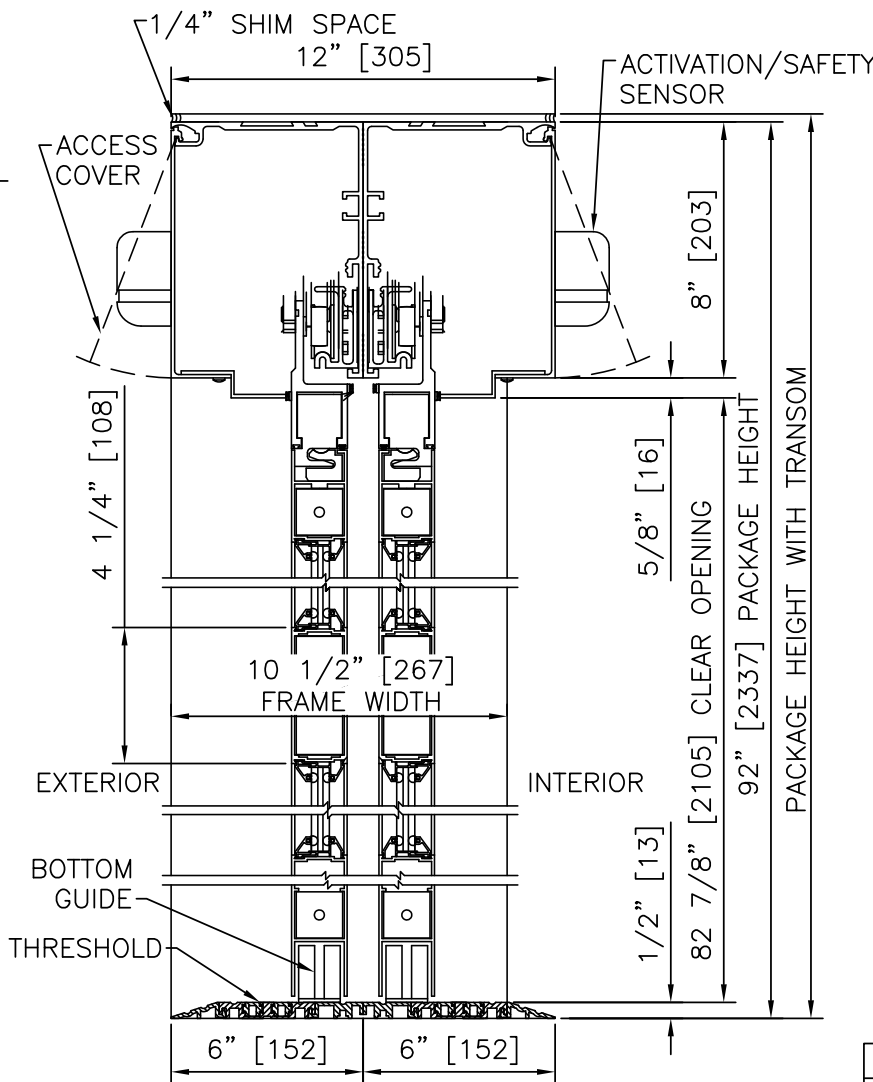
SCALE: 3/8" = 1'-0"

- NOTES**
1. ELECTRICAL REQUIREMENTS: 120 VAC, 5 AMP MIN TO POWER OPERATOR BY ELECTRICAL CONTRACTOR.
  2. ROUGH OPENING SHALL PROVIDE 1/4"[6] SHIM SPACE ON SIDES AND TOP OF PACKAGE.
  3. LIMITS OF ACTIVATION AND SAFETY ZONES ARE FOR REFERENCE ONLY; SEE ANSI/BHMA A156.10 FOR DETAILED REQUIREMENTS.
  5. STANDARD GLAZING STOPS FOR ALL PANELS ARE 1/4"[6],
  7. SEE SPECIFICATIONS FOR ADDITIONAL INFORMATION.



### ② HORIZONTAL SECTION

SCALE: 2" = 1'-0"



### ① VERTICAL SECTION

SCALE: 2" = 1'-0"

#### PRODUCT OPTIONS

- FINISH**
- ANODIZED CLEAR CL2
  - ANODIZED DK BRONZE
  - CUSTOM
- LOCKING**
- 1-POINT
  - 2-POINT
  - 3-POINT
- STILES**
- MEDIUM
- BOTTOM RAILS**
- 10"
- THRESHOLDS**
- DBL BVL
- ACTIVATION/SAFETY**
- 4 COMBINED ACTIVATION/SAFETY SENSORS
  - 2 HOLDING BEAMS
- OTHER OPTIONS**
- ROTARY CTRL SWITCH
  - UNINTERRUPTIBLE POWER SUPPLY
  - FLY OPEN BOX
  - KEYED

TYPICAL PACKAGE DIMENSIONS (MEDIUM STILE)			
PACKAGE WIDTH	NOMINAL CLEAR DOOR OPENING	DOOR PANEL NOMINAL WIDTH	EMERGENCY BREAKOUT NOMINAL WIDTH
132"	56.8"	66.0"	N/A
144"	62.8"	72.0"	N/A
156"	68.8"	78.0"	N/A
168"	74.8"	84.0"	N/A

**CART FORMULAS**

CLEAR DOOR OPENING = 1/2 PACKAGE WIDTH - 9.2"

ENTRANCE DOOR PANEL WIDTH = 1/2 PACKAGE WIDTH

**CART DOOR**

CART DOOR