

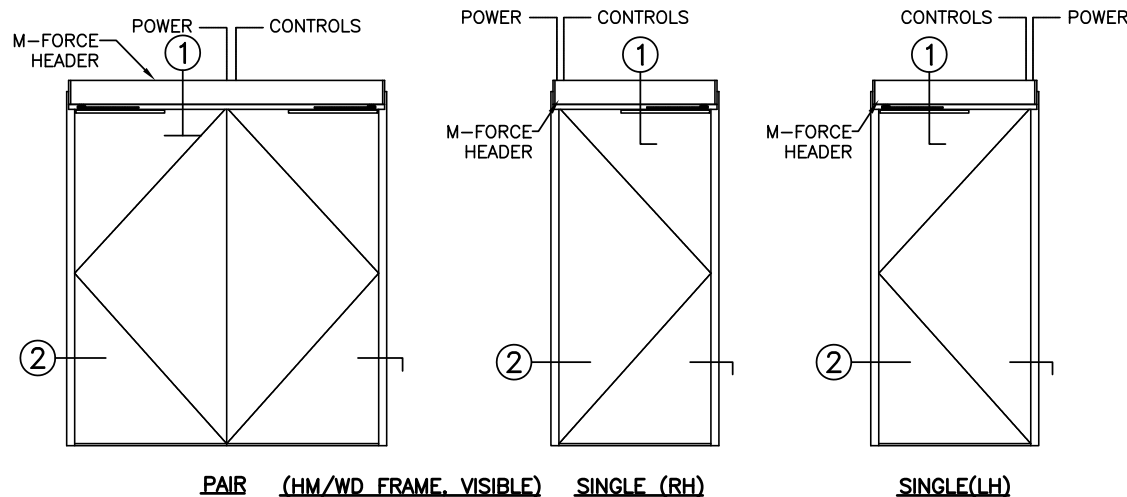
STANLEY
Access Technologies

M-FORCE™
(NEXT GENERATION MAGIC-FORCE™)

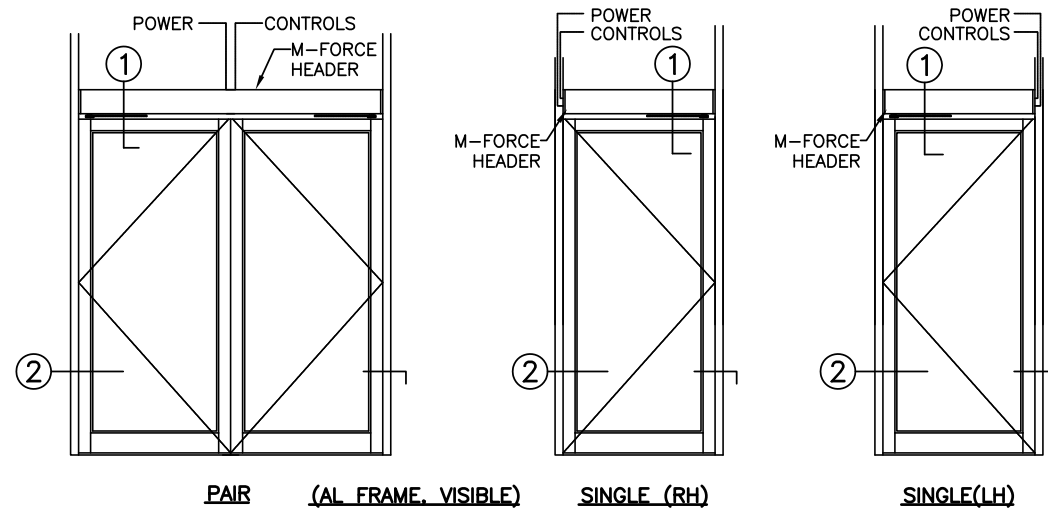
LOW-ENERGY OPERATOR, CONCEALED ARM

PROJECT INFORMATION

PROJECT NAME:	
LOCATION:	
DOOR NUMBER(S):	
DATE:	
SHEET: OF	

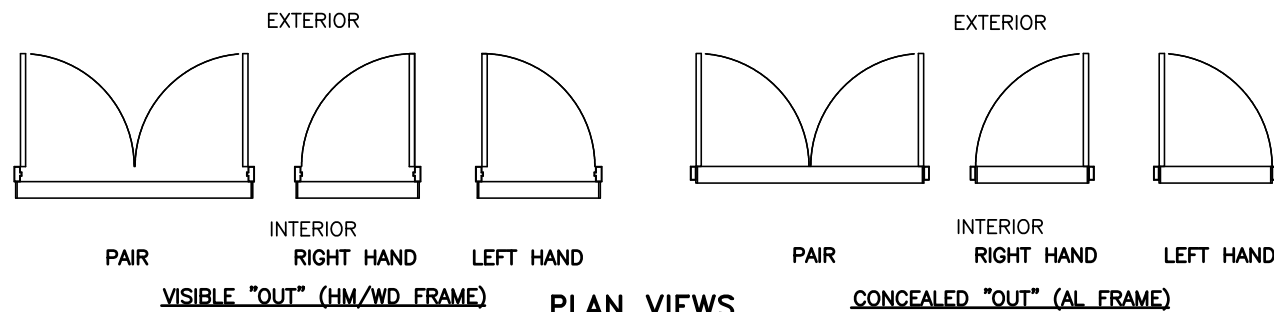


PAIR (HM/WD FRAME, VISIBLE) SINGLE (RH) SINGLE (LH)



PAIR (AL FRAME, VISIBLE) SINGLE (RH) SINGLE (LH)

ELEVATIONS
SCALE: 1/4" = 1'-0"

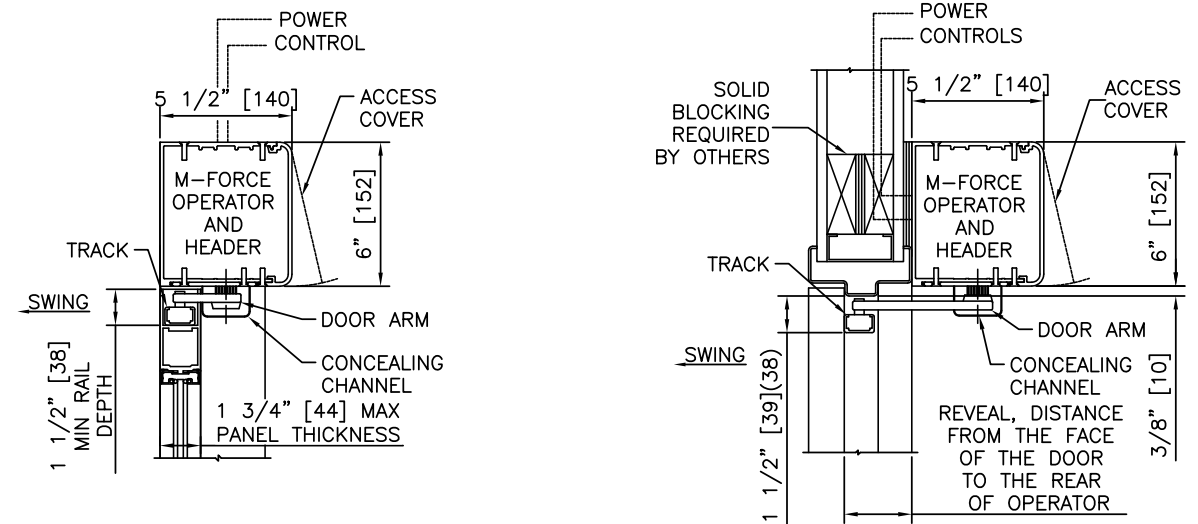


PAIR INTERIOR RIGHT HAND INTERIOR LEFT HAND VISIBLE "OUT" (HM/WD FRAME) PAIR INTERIOR RIGHT HAND INTERIOR LEFT HAND CONCEALED "OUT" (AL FRAME)

PLAN VIEWS
SCALE: 3/16" = 1'-0"

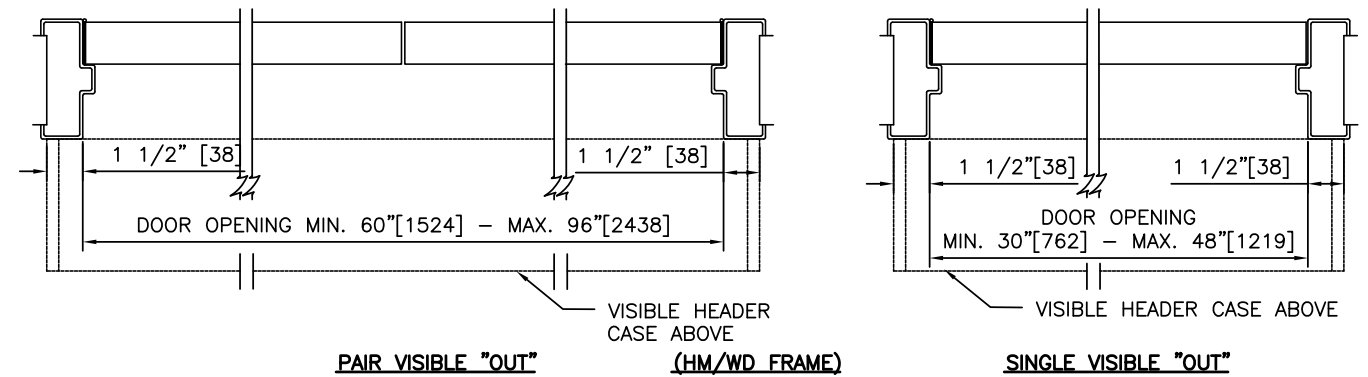
NOTES

- ELECTRICAL REQUIREMENTS: BY ELECTRICAL CONTRACTOR
 - 120 VAC, 5 AMP MIN TO OPERATOR.
 - CONTROL CIRCUIT FROM ACTIVATION TO OPERATOR.
- DOORS, FRAMES, AND HARDWARE BY OTHERS.
- DOORS MUST BE UN-LATCHED FOR PROPER OPERATION. PROVIDE TIME DELAY RELAY WHEN REQUIRED FOR PROPER OPERATION.
- OPERATOR AND INSTALLATION TO COMPLY WITH ANSI/BHMA A156.19.
- SEE SPECIFICATIONS FOR ADDITIONAL INFORMATION.



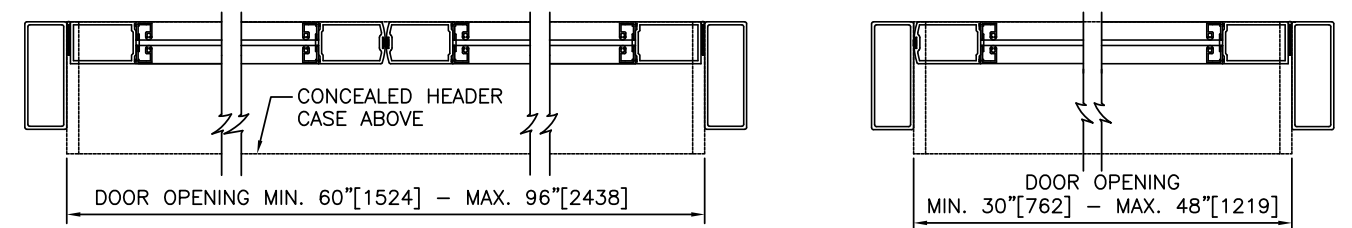
CONCEALED "OUT" (AL FRAME) ① **VERTICAL SECTIONS**
SCALE: 1 1/2" = 1'-0"

VISIBLE "OUT" (HM/WD FRAME)



PAIR VISIBLE "OUT" (HM/WD FRAME)

SINGLE VISIBLE "OUT"



PAIR VISIBLE "OUT" (AL FRAME)

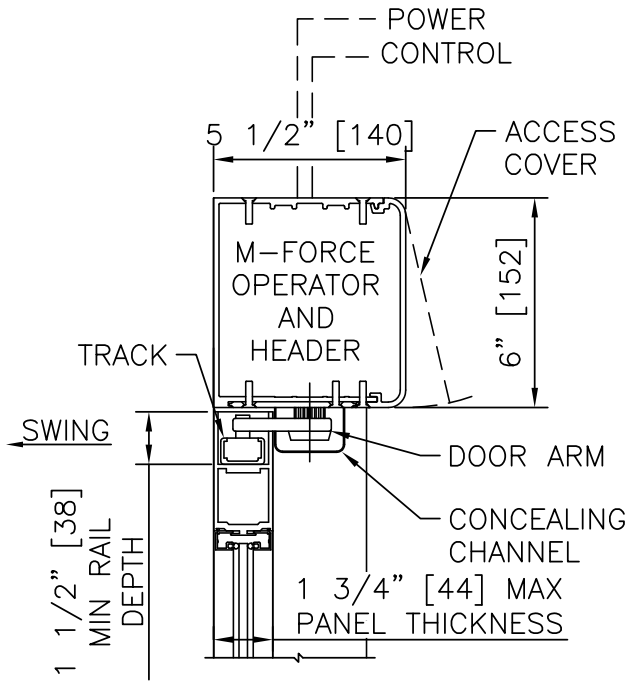
SINGLE VISIBLE "OUT"

② **HORIZONTAL SECTIONS**
SCALE: 1 1/2" = 1'-0"

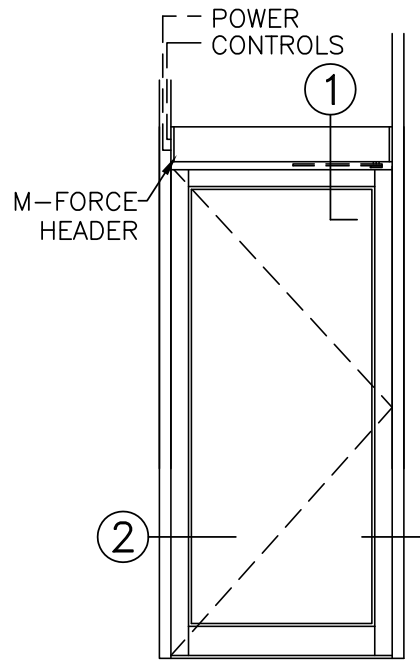
LOW-ENERGY OPERATOR, CONCEALED ARM

M-FORCE™
(NEXT GENERATION MAGIC-FORCE™)

STANLEY
Access Technologies

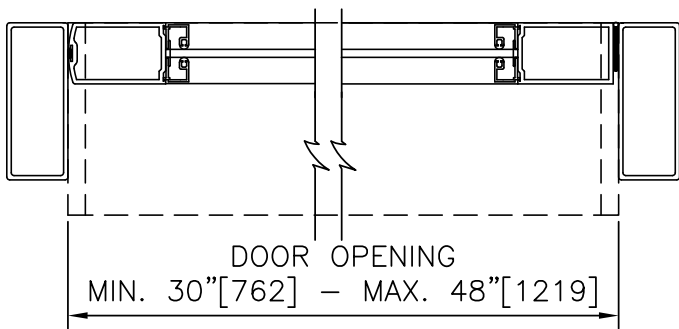


① VERTICAL SECTION

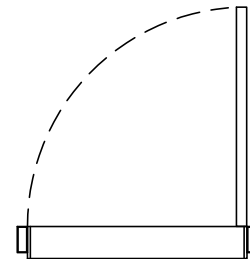


ELEVATION

EXTERIOR



② HORIZONTAL SECTION

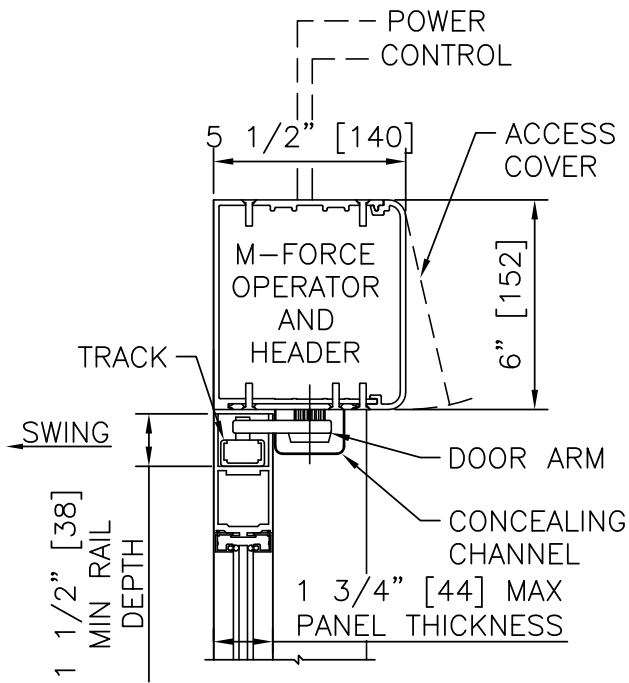


INTERIOR

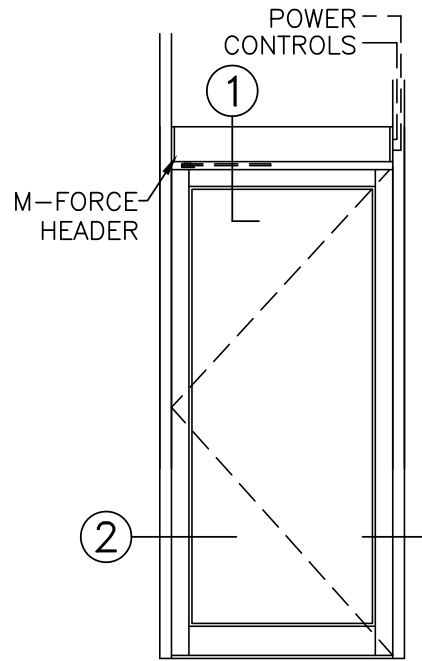
PLAN

NOTES

1. DETAILS NOT TO SCALE.
2. ELECTRICAL REQUIREMENTS: BY ELECTRICAL CONTRACTOR
 - 2.1. 120 VAC, 5 AMP MIN TO OPERATOR.
 - 2.2. CONTROL CIRCUIT FROM ACTIVATION TO OPERATOR.
3. DOORS, FRAMES, AND HARDWARE BY OTHERS.
4. DOORS MUST BE UN-LATCHED FOR PROPER OPERATION. PROVIDE TIME DELAY RELAY WHEN REQUIRED FOR PROPER OPERATION.
5. OPERATOR AND INSTALLATION TO COMPLY WITH ANSI/BHMA A156.19.
6. SEE SPECIFICATIONS FOR ADDITIONAL INFORMATION.

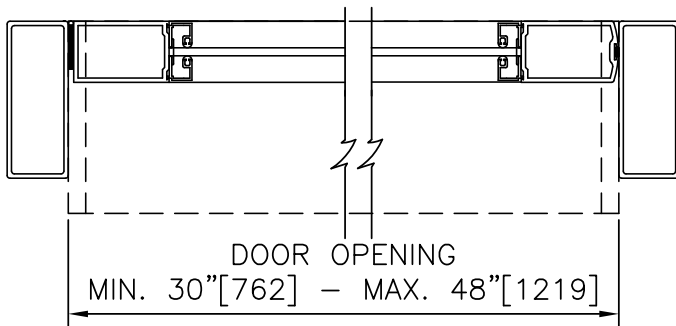


① VERTICAL SECTION

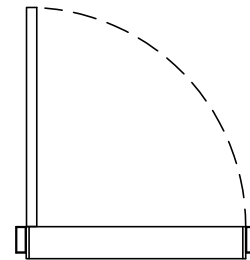


ELEVATION

EXTERIOR



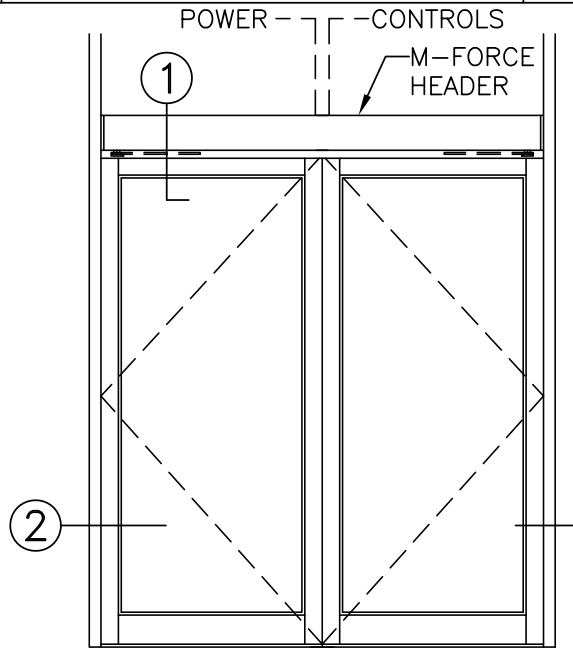
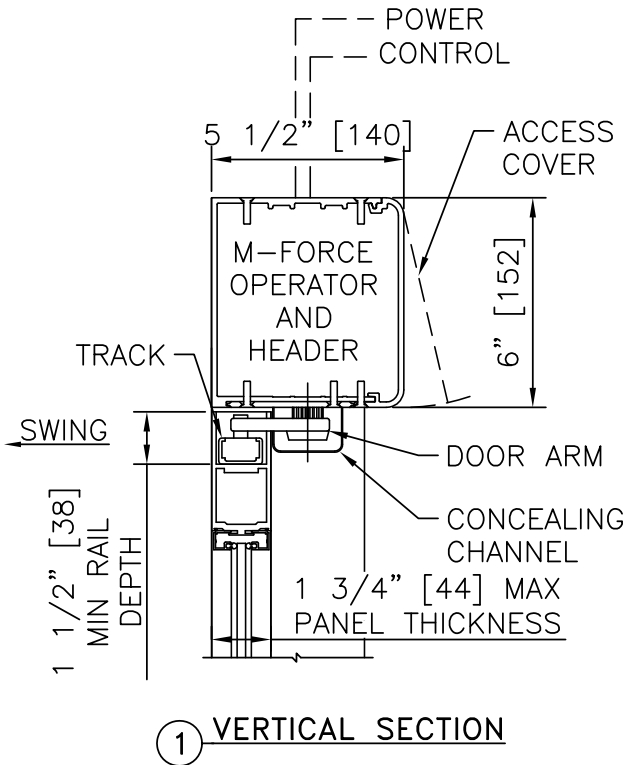
② HORIZONTAL SECTION



INTERIOR PLAN

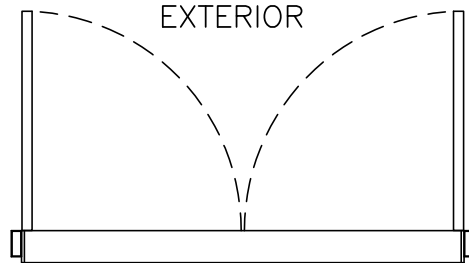
NOTES

1. DETAILS NOT TO SCALE.
2. ELECTRICAL REQUIREMENTS: BY ELECTRICAL CONTRACTOR
 - 2.1. 120 VAC, 5 AMP MIN TO OPERATOR.
 - 2.2. CONTROL CIRCUIT FROM ACTIVATION TO OPERATOR.
3. DOORS, FRAMES, AND HARDWARE BY OTHERS.
4. DOORS MUST BE UN-LATCHED FOR PROPER OPERATION. PROVIDE TIME DELAY RELAY WHEN REQUIRED FOR PROPER OPERATION.
5. OPERATOR AND INSTALLATION TO COMPLY WITH ANSI/BHMA A156.19.
6. SEE SPECIFICATIONS FOR ADDITIONAL INFORMATION.

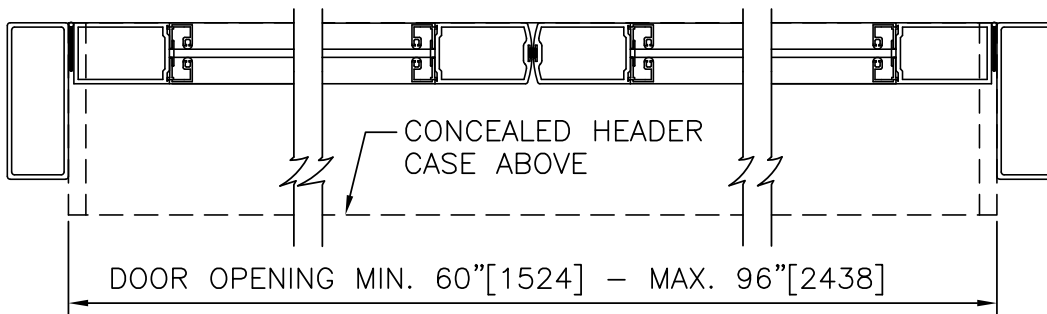


ELEVATION

EXTERIOR



INTERIOR PLAN

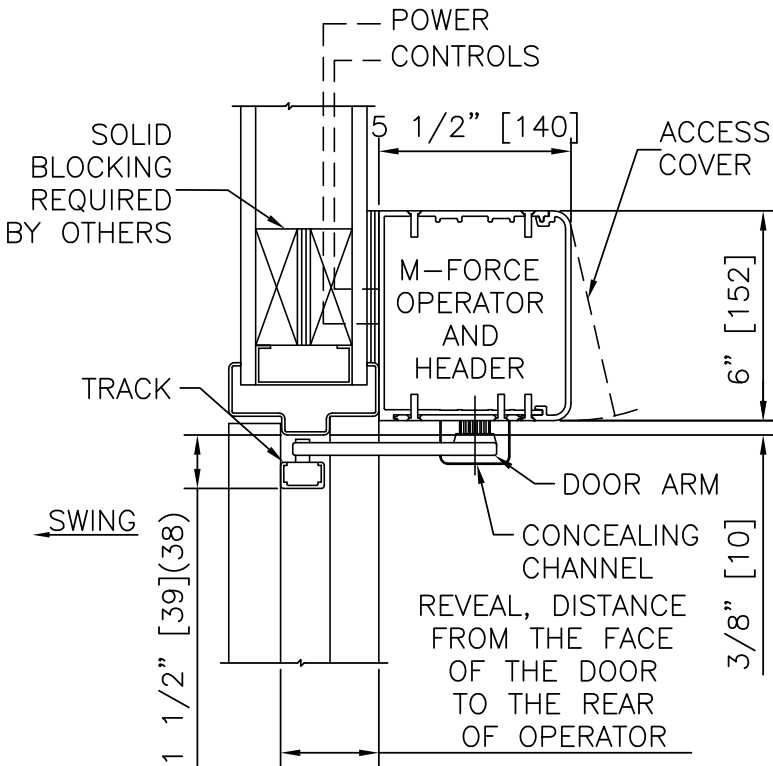


② **HORIZONTAL SECTION**

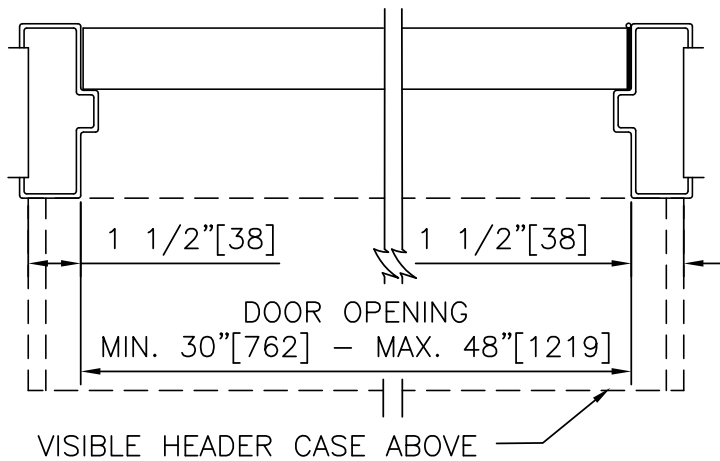
NOTES

1. DETAILS NOT TO SCALE.
2. ELECTRICAL REQUIREMENTS: BY ELECTRICAL CONTRACTOR
 - 2.1. 120 VAC, 5 AMP MIN TO OPERATOR.
 - 2.2. CONTROL CIRCUIT FROM ACTIVATION TO OPERATOR.
3. DOORS, FRAMES, AND HARDWARE BY OTHERS.
4. DOORS MUST BE UN-LATCHED FOR PROPER OPERATION. PROVIDE TIME DELAY RELAY WHEN REQUIRED FOR PROPER OPERATION.
5. OPERATOR AND INSTALLATION TO COMPLY WITH ANSI/BHMA A156.19.
6. SEE SPECIFICATIONS FOR ADDITIONAL INFORMATION.

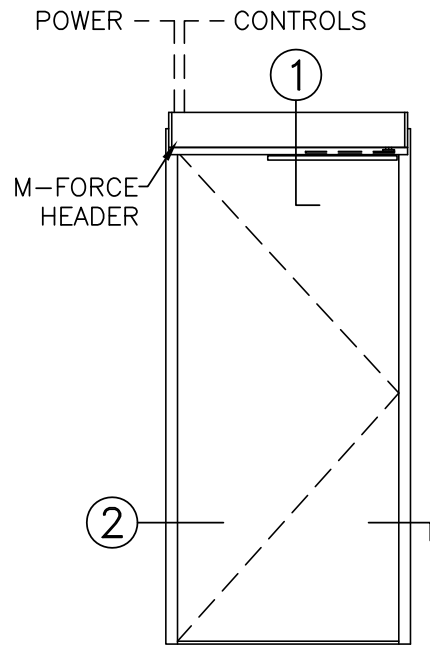
LE OPERATOR, CONCEALED ARM, HM/WD FRAME, RIGHT HAND OUT	
PROJECT INFORMATION	
PROJECT NAME:	
LOCATION:	
DOOR NUMBER(S):	
DATE:	SHEET: OF



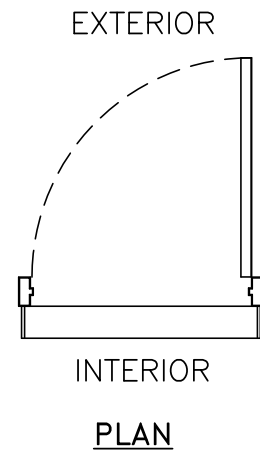
① **VERTICAL SECTION**



② **HORIZONTAL SECTION**



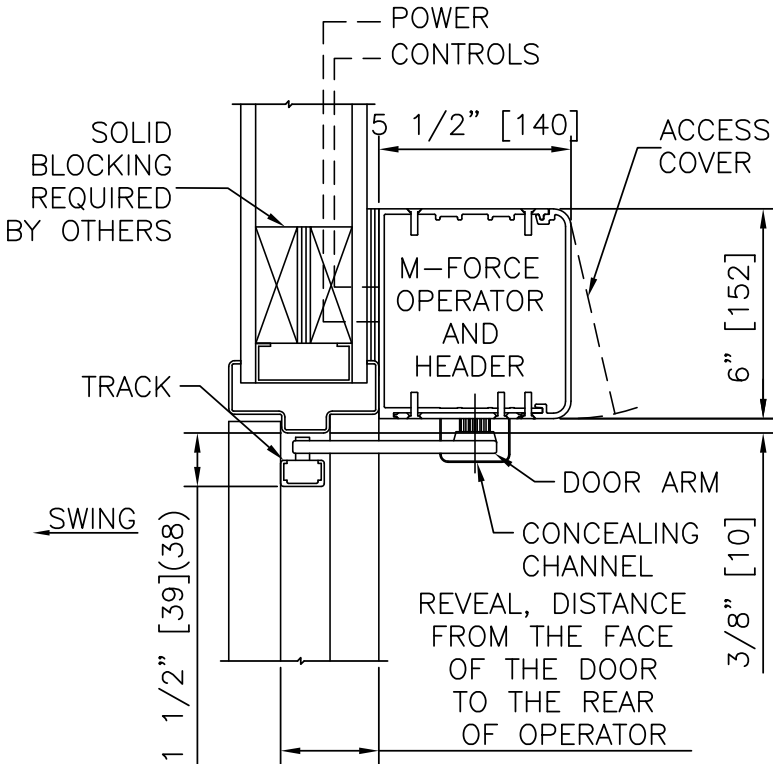
ELEVATION



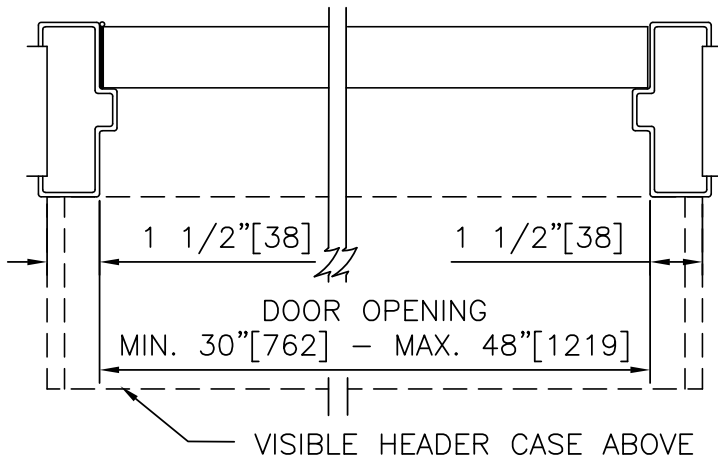
PLAN

NOTES

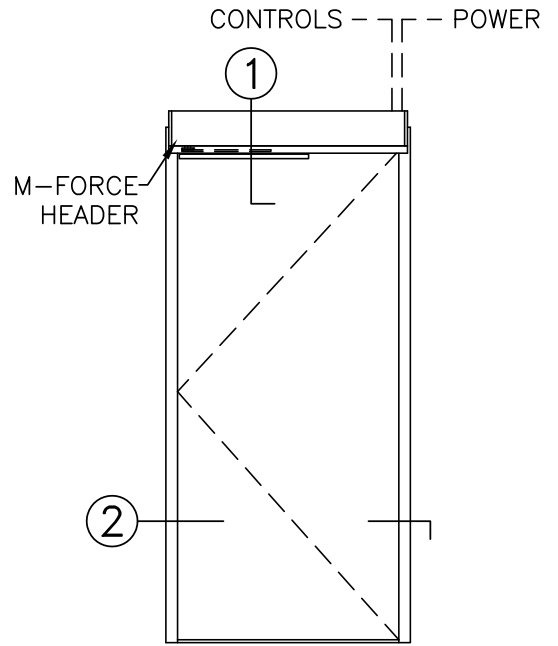
1. DETAILS NOT TO SCALE.
2. ELECTRICAL REQUIREMENTS: BY ELECTRICAL CONTRACTOR
 - 2.1. 120 VAC, 5 AMP MIN TO OPERATOR.
 - 2.2. CONTROL CIRCUIT FROM ACTIVATION TO OPERATOR.
3. DOORS, FRAMES, AND HARDWARE BY OTHERS.
4. DOORS MUST BE UN-LATCHED FOR PROPER OPERATION. PROVIDE TIME DELAY RELAY WHEN REQUIRED FOR PROPER OPERATION.
5. OPERATOR AND INSTALLATION TO COMPLY WITH ANSI/BHMA A156.19.
6. SEE SPECIFICATIONS FOR ADDITIONAL INFORMATION.



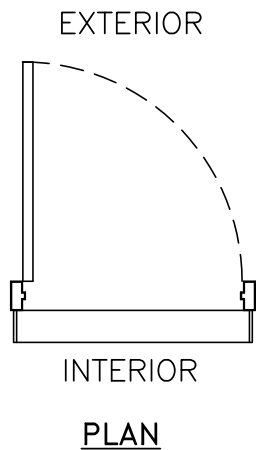
① VERTICAL SECTION



② HORIZONTAL SECTION



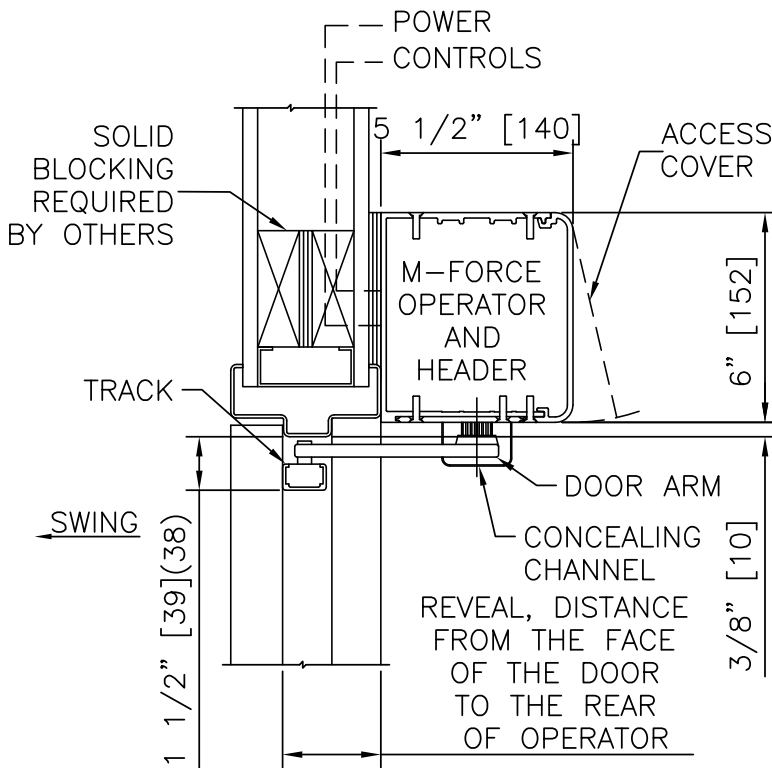
ELEVATION



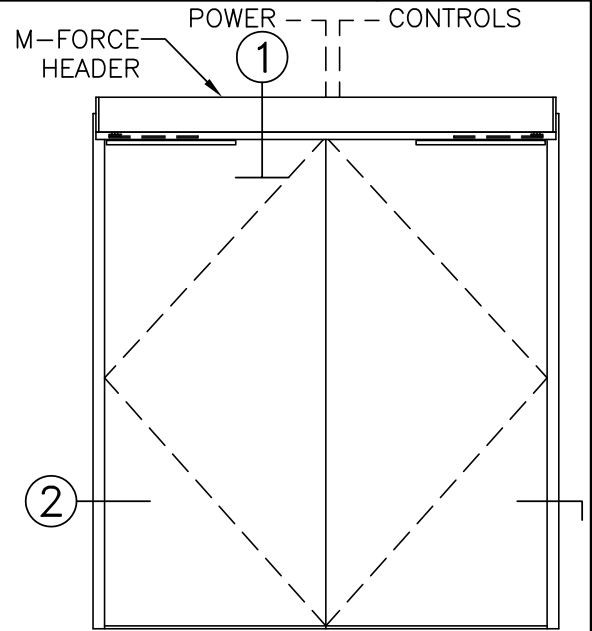
PLAN

NOTES

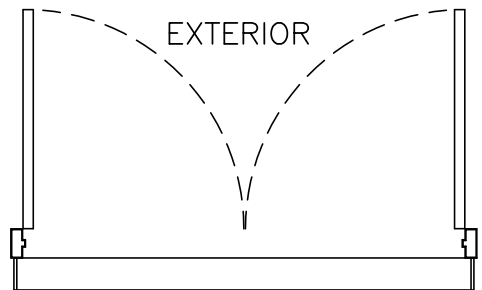
1. DETAILS NOT TO SCALE.
2. ELECTRICAL REQUIREMENTS: BY ELECTRICAL CONTRACTOR
 - 2.1. 120 VAC, 5 AMP MIN TO OPERATOR.
 - 2.2. CONTROL CIRCUIT FROM ACTIVATION TO OPERATOR.
3. DOORS, FRAMES, AND HARDWARE BY OTHERS.
4. DOORS MUST BE UN-LATCHED FOR PROPER OPERATION. PROVIDE TIME DELAY RELAY WHEN REQUIRED FOR PROPER OPERATION.
5. OPERATOR AND INSTALLATION TO COMPLY WITH ANSI/BHMA A156.19.
6. SEE SPECIFICATIONS FOR ADDITIONAL INFORMATION.



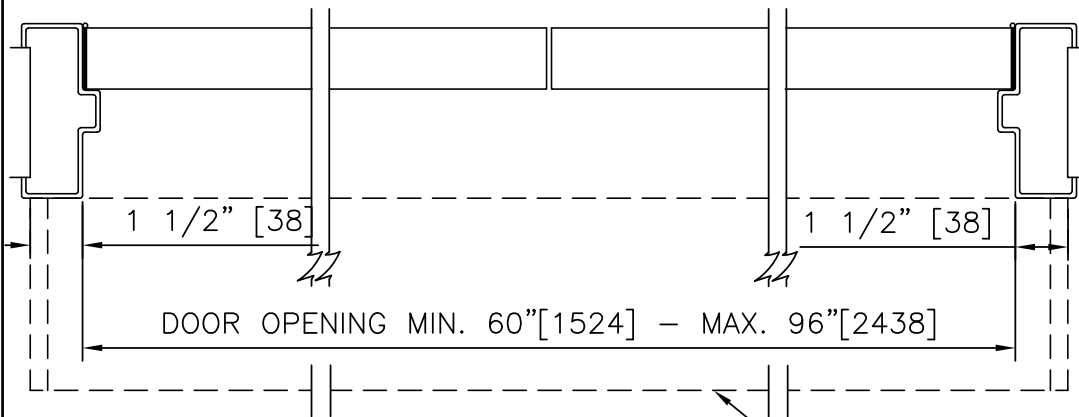
① VERTICAL SECTION



ELEVATION



INTERIOR PLAN



② HORIZONTAL SECTION

NOTES

1. DETAILS NOT TO SCALE.
2. ELECTRICAL REQUIREMENTS: BY ELECTRICAL CONTRACTOR
 - 2.1. 120 VAC, 5 AMP MIN TO OPERATOR.
 - 2.2. CONTROL CIRCUIT FROM ACTIVATION TO OPERATOR.
3. DOORS, FRAMES, AND HARDWARE BY OTHERS.
4. DOORS MUST BE UN-LATCHED FOR PROPER OPERATION. PROVIDE TIME DELAY RELAY WHEN REQUIRED FOR PROPER OPERATION.
5. OPERATOR AND INSTALLATION TO COMPLY WITH ANSI/BHMA A156.19.
6. SEE SPECIFICATIONS FOR ADDITIONAL INFORMATION.