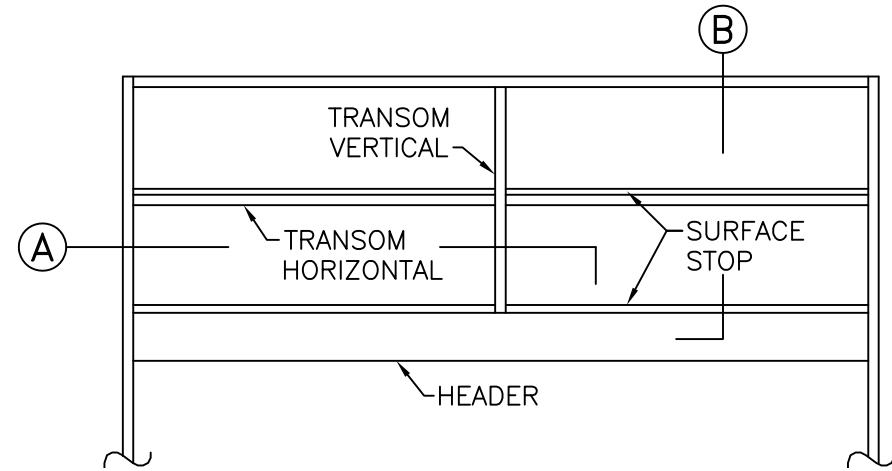


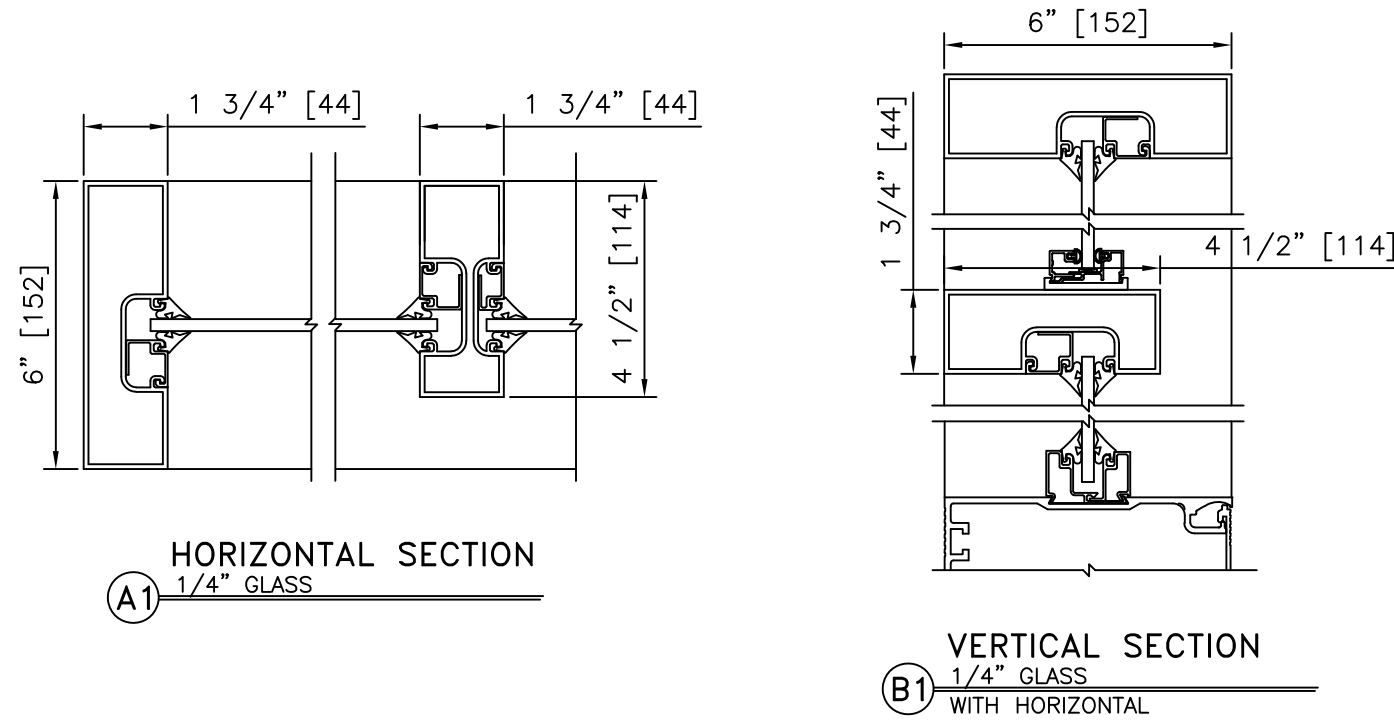
STANLEY
Access Technologies

DURA-GLIDE
2000/3000/5000
SERIES

TRANSOM OPTIONS	
PROJECT INFORMATION	
PROJECT NAME:	
LOCATION:	
DOOR NUMBER(S):	
DATE:	SHEET: OF



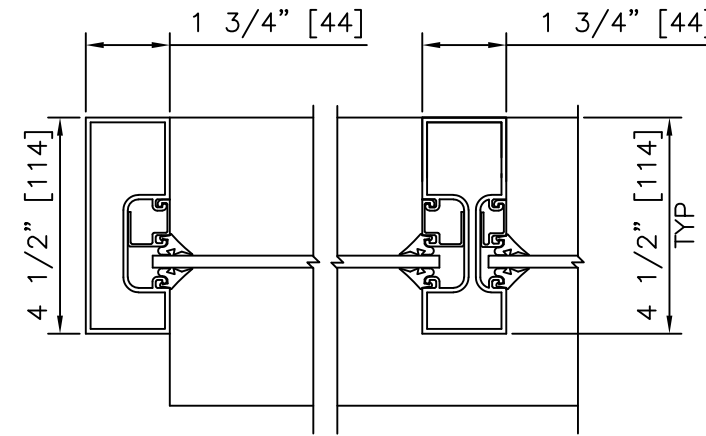
ELEVATION VIEW
SCALE: NOT TO SCALE



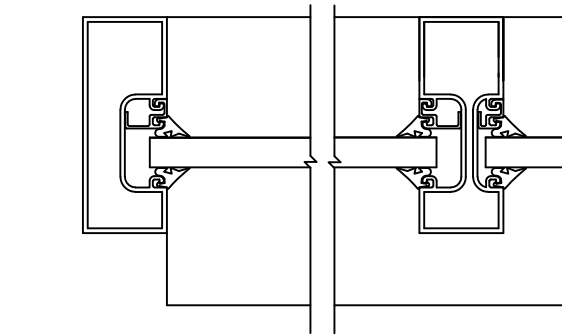
DURA-GLIDE 5000 SERIES
SCALE: 3" = 1'-0"

NOTES

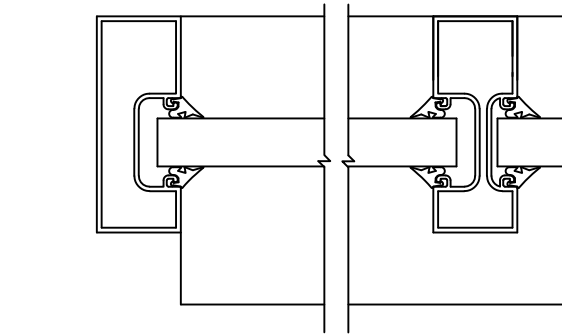
- "INTERIOR" AND "EXTERIOR" ORIENTATION VARIES WITH PACKAGE TYPE. SEE SPECIFIC PACKAGE DRAWINGS FOR CORRECT ORIENTATION.
- ALL 2000/3000 SERIES PACKAGES SHOWN WITH STANDARD 4 1/2"[114] FRAME; 6"[152] FRAME AVAILABLE. INTERNAL TRANSOM HORIZONTAL AND VERTICAL ELEMENTS ARE 4 1/2"[144].
- ALL TRANSOM GLAZING FOR 5000 SERIES ENTRANCES IS 1/4"[6].
- SEE SPECIFICATIONS FOR ADDITIONAL INFORMATION.



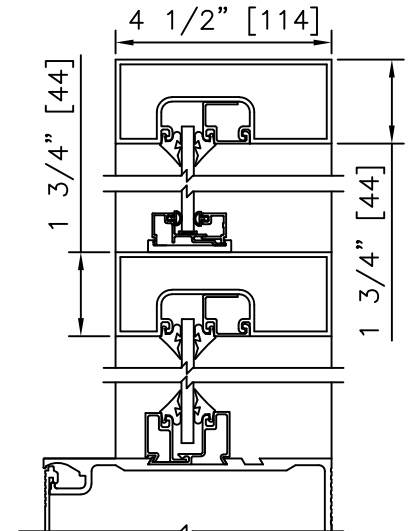
HORIZONTAL SECTION
A1 1/4" GLASS



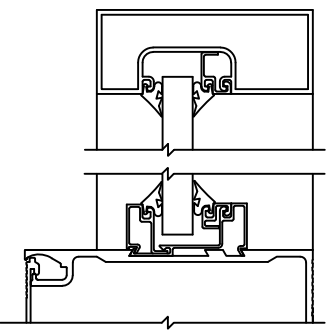
HORIZONTAL SECTION
A2 5/8" GLASS



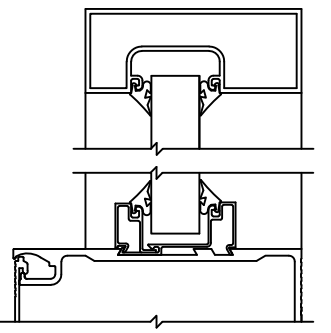
HORIZONTAL SECTION
A3 1" GLASS



VERTICAL SECTION
B1 1/4" GLASS
WITH HORIZONTAL



VERTICAL SECTION
B2 5/8" GLASS
WITHOUT HORIZONTAL



VERTICAL SECTION
B3 1" GLASS
WITHOUT HORIZONTAL

DURA-GLIDE 2000/3000 SERIES
SCALE: 3" = 1'-0"

TRANSOM OPTIONS

DURA-GLIDE
2000/3000/5000
SERIES

STANLEY
Access Technologies

**DURA-GLIDE
2000/3000
SERIES**

2000/3000 TRANSOM OPTIONS

PROJECT INFORMATION

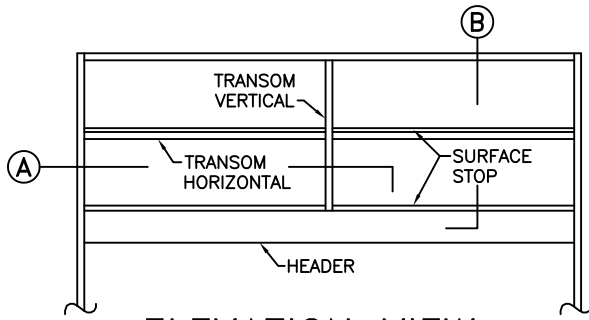
PROJECT NAME:

LOCATION:

DOOR NUMBER(S):

DATE:

SHEET: OF

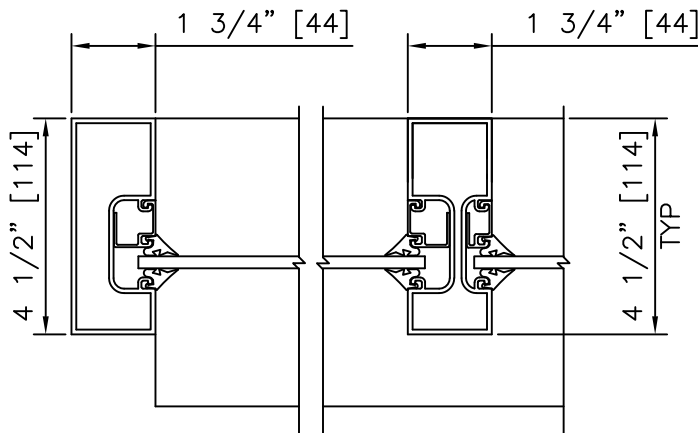


ELEVATION VIEW

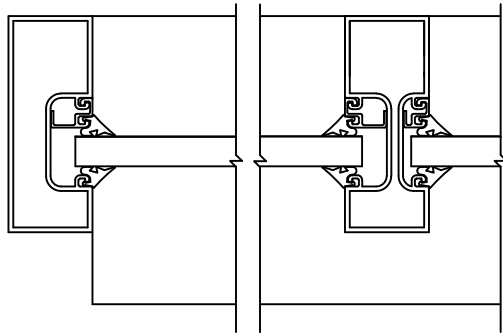
SCALE: NOT TO SCALE

NOTES

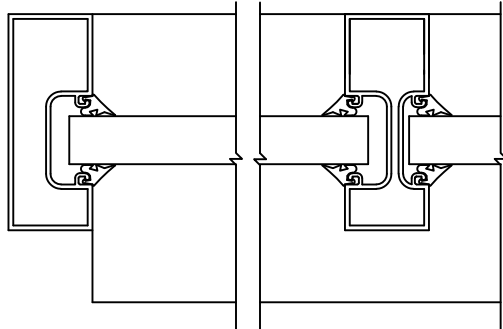
1. "INTERIOR" AND "EXTERIOR" ORIENTATION VARIES WITH PACKAGE TYPE. SEE SPECIFIC PACKAGE DRAWINGS FOR CORRECT ORIENTATION.
2. ALL 2000/3000 SERIES PACKAGES SHOWN WITH STANDARD 4 1/2" [114] FRAME; 6" [152] FRAME AVAILABLE. INTERNAL TRANSOM HORIZONTAL AND VERTICAL ELEMENTS ARE 4 1/2" [144].
3. SEE SPECIFICATIONS FOR ADDITIONAL INFORMATION.



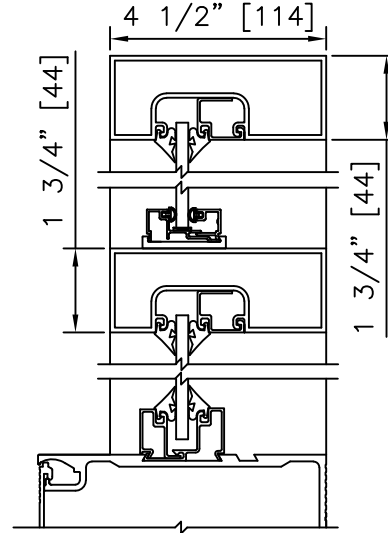
**A1 HORIZONTAL SECTION
1/4" GLASS**



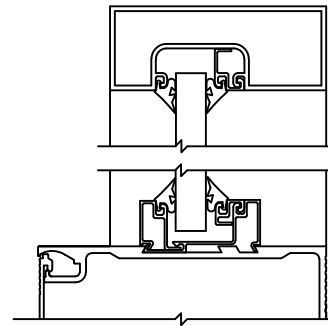
**A2 HORIZONTAL SECTION
5/8" GLASS**



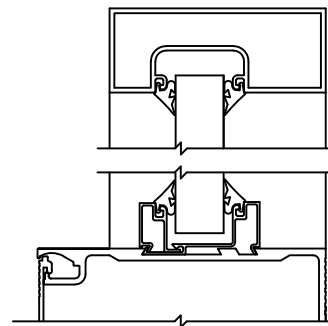
**A3 HORIZONTAL SECTION
1" GLASS**



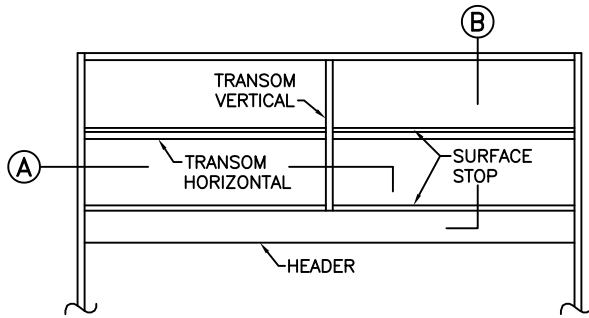
**B1 VERTICAL SECTION
1/4" GLASS**



**B2 VERTICAL SECTION
5/8" GLASS**



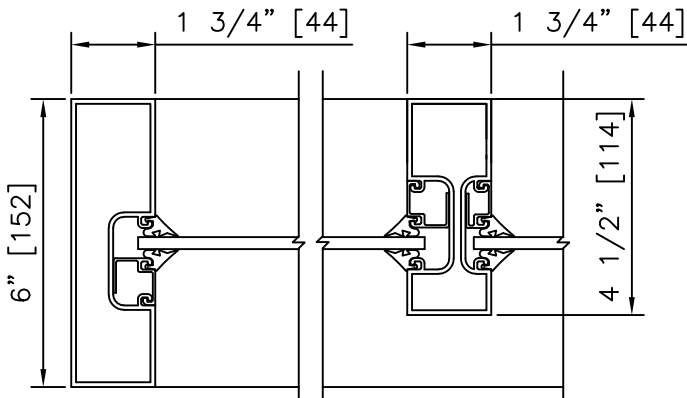
**B3 VERTICAL SECTION
1" GLASS**



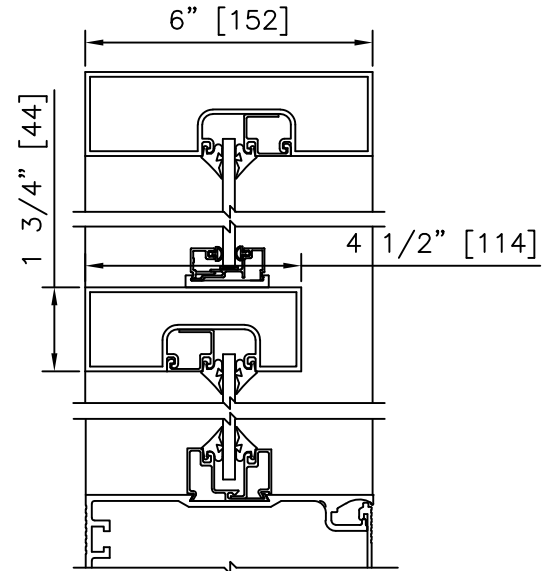
ELEVATION VIEW
SCALE: NOT TO SCALE

NOTES

1. "INTERIOR" AND "EXTERIOR" ORIENTATION VARIES WITH PACKAGE TYPE. SEE SPECIFIC PACKAGE DRAWINGS FOR CORRECT ORIENTATION.
2. ALL 5000 SERIES PACKAGES SHOWN WITH STANDARD 6"[152] FRAME; INTERNAL TRANSOM HORIZONTAL AND VERTICAL ELEMENTS ARE 4 1/2"[144].
3. ALL TRANSOM GLAZING FOR 5000 SERIES ENTRANCES IS 1/4"[6].
4. SEE SPECIFICATIONS FOR ADDITIONAL INFORMATION.



A1 HORIZONTAL SECTION
1/4" GLASS



B1 VERTICAL SECTION
1/4" GLASS