

#1 selling automatic sliding door

DURA-GLIDE™ 2000/3000 AUTOMATIC SLIDING DOOR

The number one selling automatic sliding door in North America.

We've combined innovative microprocessor technology with advanced engineering to create the safest, most durable and dependable automatic slide door in the industry. Anywhere you go, you'll experience the unmatched performance of our Dura-Glide slide door, be it an airport, hotel, hospital, supermarket, retail, office building, public building, government building or school.

THE DURA-GLIDE DIFFERENCE

- The highest horsepower motor in the industry comes standard.
- Fiberglass reinforced toothed drive belt prevents slippage and uneven closing.
- Large diameter load bearing roller wheels can carry a heavy load for a long time.
- Header made of lightweight, high strength 6063-T6 aluminum to prevent sagging.
- Components fully tested and pre-assembled at factory and shipped via dedicated STANLEY freight for fast, trouble-free install.

ECO-FRIENDLY OPTIONS

- Accommodates 1" high performance insulated glass, cutting the U-Factor by 40%.
- Added seals to reduce air infiltration.
- Switch to reduce opening widths, saving HVAC when there is low traffic or inclement weather.
- Paint process meets stringent AAMA 2605 specifications with no VOCs emitted.
- Tie to an air curtain to stop air infiltration up to 80% when open.*
- Made with recycled content at our facilities in Connecticut and Indiana to provide LEED credits MR 4.1, 5.1 and 5.2.

*ASHRAE Room Air Distribution Equipment 17.9

DURA-GLIDE™ 2000/3000

AUTOMATIC SLIDING DOOR

www.stanleyaccess.com

MODELS

- Partial Breakout (2000 model): Only sliding panel(s) break out at any point of travel. Surface mount options available.
- Full Breakout (3000 model): All panels break out at any point of travel for emergency egress.
- Designer Package: Operator and components for use with custom panels with breakout.
- Utility Package and International All Glass: Operator only, without breakout. Ideal for international applications where breakout isn't required by NFPA 101 or applications in North America where occupant load is fewer than 50
- All Glass 2000/3000: All glass doors and sidelights
- Cleanroom: Certified for cleanrooms.

SAFETY

- Standard doorway holding beams (2) and Stan-Guard® detect objects in door area and holds panels open until threshold is clear.
- Standard limit arms
- Optional panel closers
- Optional Wind Resistant Dampers reduce the potential for panel damage caused by wind gusts when panels are broken out.

SECURITY OPTIONS

- Security Locking
 - » Electric Solenoid Lock – Prevents manual sliding of closed door. Does not prevent breakout.
 - » Panic Hardware (Mechanical) – Prevents breakout of SX panels from exterior.
 - » Access Control Locking = Electric Solenoid Lock + Panic Hardware (Mechanical)
 - » Delayed Egress Access Control Locking = Electric Solenoid Lock + Panic Hardware (Electro-Magnetic)
- Flush or surface mounted panic hardware.
- Alarm contacts for remote monitoring of door status.
- Locking Options
 - » 1, 2, or 3-point locking with optional Armored Strike or Lock Guard.



LOCK GUARD wraps around the lead stiles, adding rigid stainless steel reinforcement in the event of forced entry.



ARMORED STRIKE designed for bi-parting doors, utilizing standard 4-lamination lock with 2-point locking.



SECURITY STROBES act as a visual deterrent after hours when doors are locked to help prevent unauthorized entry.



DELAYED EGRESS prevents door panels from breaking out for 15-30 seconds while an alarm sounds so personnel can respond before the person is allowed to leave.



UNINTERRUPTED POWER SUPPLY provides continued operation for up to 1.5 hours.

DURA-GLIDE™ 2000/3000

AUTOMATIC SLIDING DOOR

www.stanleyaccess.com

SPECIFICA-

SPECIFICATIONS		Options
Design	Single Slide or Bi-part	
Breakout	SX and O Panel on the 2000, SX and SO panels on the 3000	
Typical Height	7'-8" (2.3m), Clear Door Opening of 6'-11" (2.1m)	
Typical Width	SINGLE SLIDE (narrow stiles): 7' to 9' (2.1 to 2.7m), CDO width 35 1/4" - 47 1/4" (896mm - 1201mm) 2000 EBO: 39" - 51" (991mm - 1296mm). 3000 EBO: 75" - 99" (1905mm - 2515mm)	FORMULA (narrow stiles): CDO = 1/2 package width - 6.7" Emergency BO width = CDO + 3.8" (2000 model). Package width - 9.0" (3000 model)
	BI-PART (narrow stiles): 10' to 14' (3.0m - 4.3m), CDO width: 48 1/4" - 72 1/4" (1227mm - 1836mm) 2000 EBO: 55 1/2" - 79 1/2" (1411mm - 2021mm). 3000 EBO: 105 1/2" - 153 1/2" (2680mm - 3899mm)	FORMULA (narrow stiles): CDO = 1/2 package width - 11.7" Emergency BO width = CDO + 7.3" (2000 model). Package width - 14.5" (3000 model)
	Wider options available. Contact your STANLEY Specification Expert.	
Header Size	8" (203mm) High x 6" (152mm) Deep	
Jamb Dimension	1 3/4" x 4 1/2"	
Stiles	Narrow 2"	
Typical Door Panel Weight	Up to 220 Pounds Each (100kg)	
Door Panel Materials	Aluminum	
Power Required	120 VAC, 50/60 HZ, 5 Amps Minimum	
Drive System	1/4 HP DC Motor, Gear Drive, Toothed belt	
Controls	Rocker Switch	
Controller	High Resolution iQ Controller, Microprocessor Based, Safety Logic	
Muntin	One 2" muntin	
Activation Sensors	2 Combined Activation/Safety Sensors + Holding Doorway Holding Beams for added safety	
Safety Sensors	1 Stan-Guard® and 2 Doorway Holding Beams	
Temperature Rating	-30F to 130F	
Glass	1/4"	
Transom	Configurable Verticals and/or Horizontals	
Speed Range	Closing Speeds: 0.5' - 1.5' per sec per ANSI. Opening Speeds: 0.5' - 2.5' per sec.	
Codes and Standards	UL, cUL, ANSI/BHMA A156.10, IBC, UBC, BOCA, ICBO, NFPA 101, CSFM	

* All Specifications are subject to change. Please contact your local sales representative to ensure accuracy.

CDO: Clear Door Opening

SO Panel: Swing-out Sidelight Panel

FBO: Full Breakout

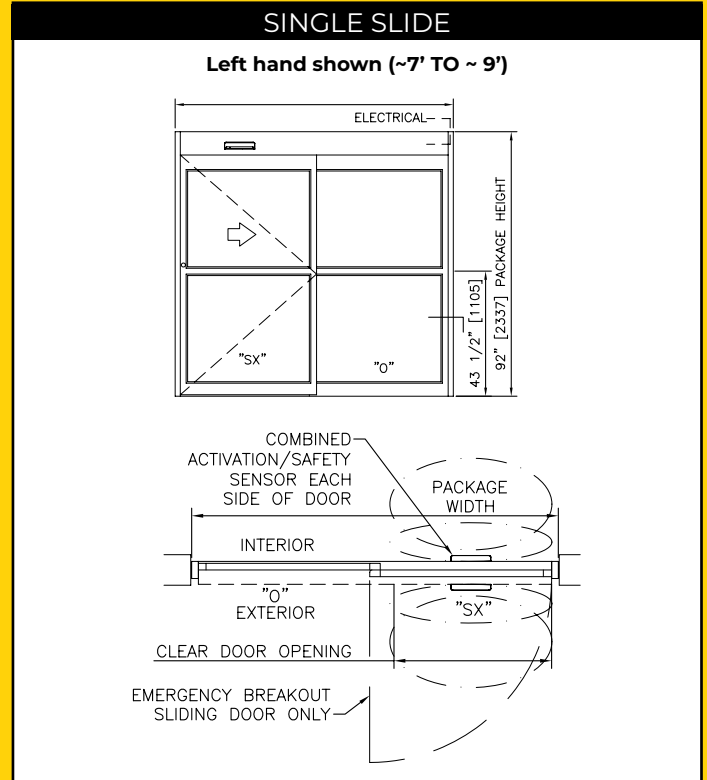
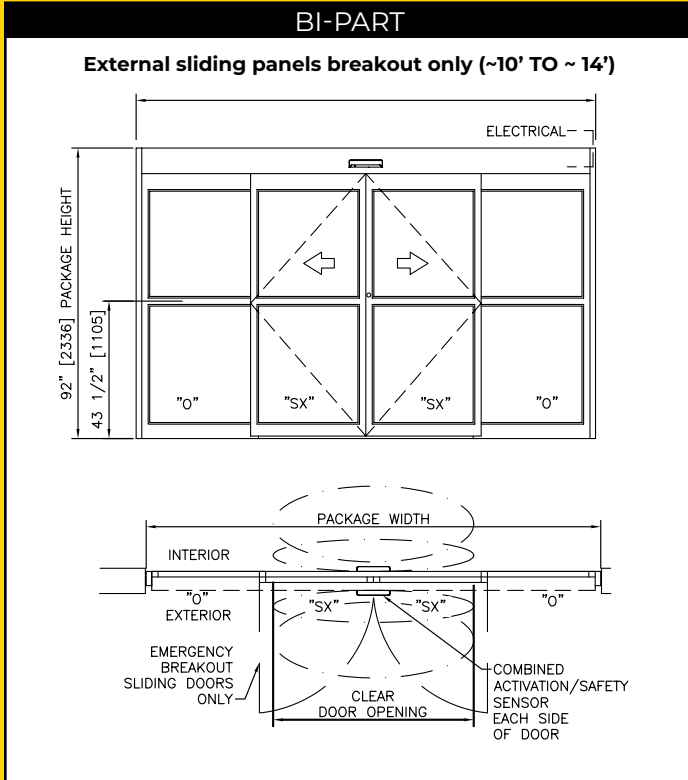
SX Panel: Sliding-Swinging Panel

BO: Breakout

EBO: Emergency Breakout

O Panel: Fixed Panel

2000 SERIES



3000 SERIES

