

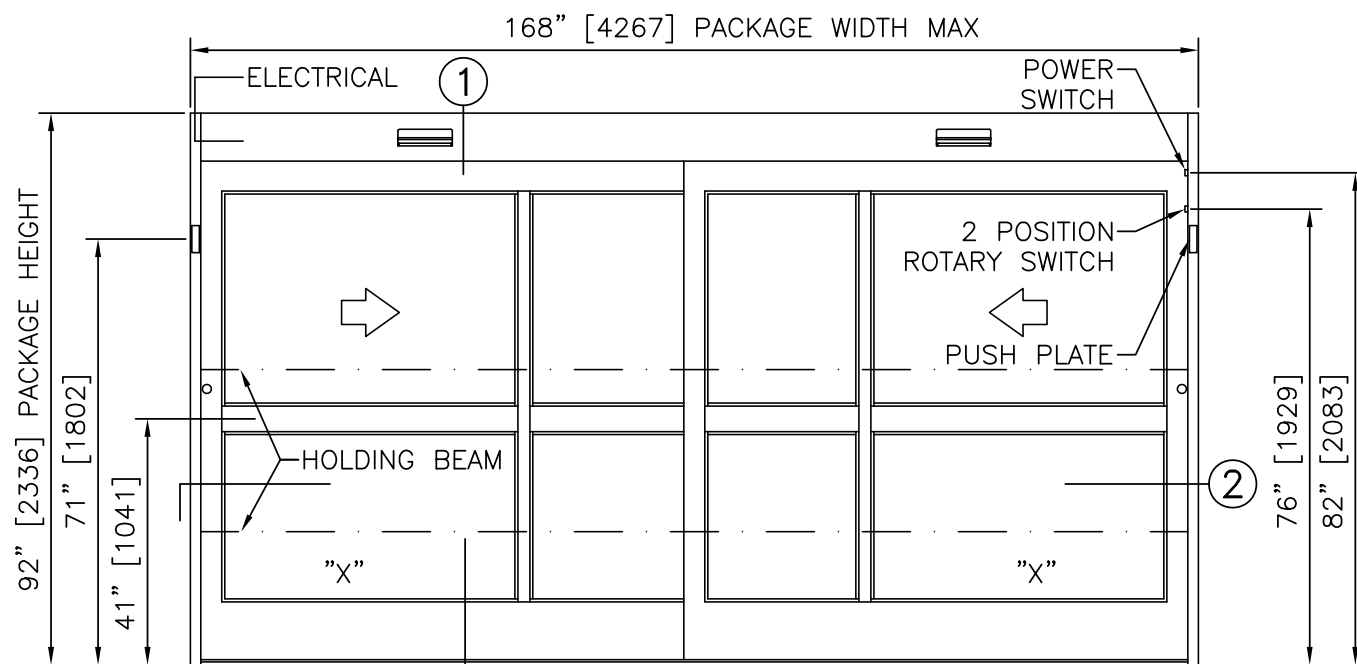
STANLEY
Access Technologies

CART DOOR

CART DOOR, WITH OPTIONAL TRANSOM

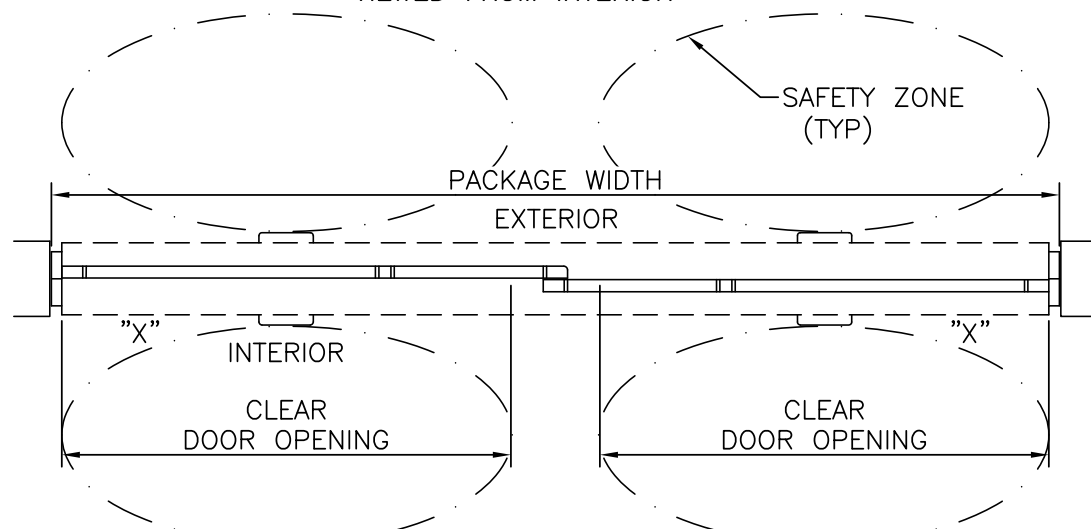
PROJECT INFORMATION

PROJECT NAME:	
LOCATION:	
DOOR NUMBER(S):	
DATE:	SHEET: OF



ELEVATION VIEW

SCALE: 3/8" = 1'-0"
VIEWED FROM INTERIOR

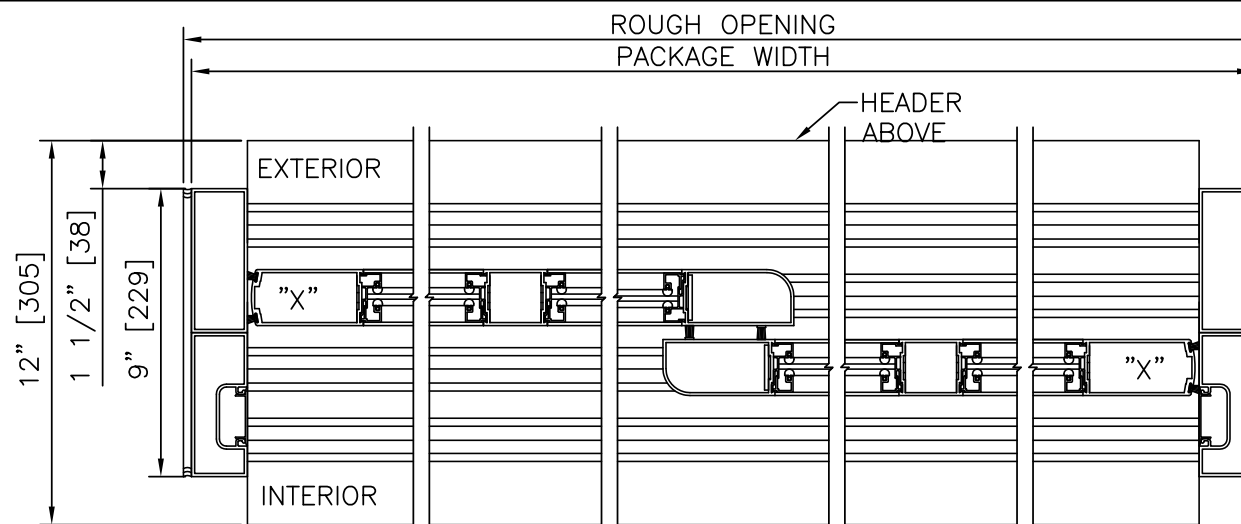


PLAN VIEW

SCALE: 3/8" = 1'-0"

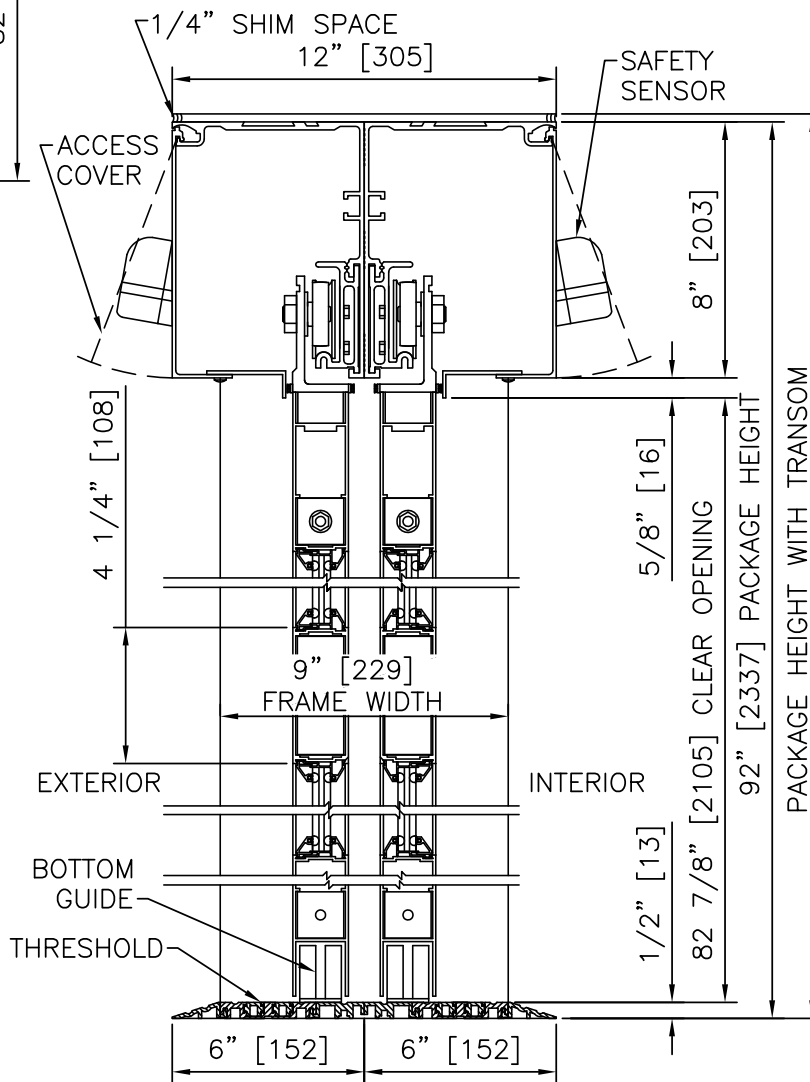
NOTES

- ELECTRICAL REQUIREMENTS: 120 VAC, 5 AMP MIN TO POWER OPERATOR BY ELECTRICAL CONTRACTOR.
- ROUGH OPENING SHALL PROVIDE 1/4"[6] SHIM SPACE ON SIDES AND TOP OF PACKAGE.
- LIMITS OF ACTIVATION AND SAFETY ZONES ARE FOR REFERENCE ONLY; SEE ANSI/BHMA A156.10 FOR DETAILED REQUIREMENTS.
- STANDARD GLAZING STOPS FOR ALL PANELS ARE 1/4"[6]: 5/8"[16] AND 1"[25] AVAILABLE.
- THRESHOLD OPTIONS AVAILABLE; STANDARD 12"[305] SHOWN. CONTACT STANLEY ACCESS TECHNOLOGIES FOR A COMPLETE LIST OF OPTIONS.
- SEE SPECIFICATIONS FOR ADDITIONAL INFORMATION.



② HORIZONTAL SECTION

SCALE: 2" = 1'-0"



① VERTICAL SECTION

SCALE: 2" = 1'-0"

PRODUCT OPTIONS

- FINISH**
- ANODIZED CLEAR CL2
 - ANODIZED DK BRONZE
 - CUSTOM
- LOCKING**
- 1-POINT (2)
- STILES**
- MEDIUM
- BOTTOM RAILS**
- 10"
- ACTIVATION/SAFETY**
- 4 SAFETY SENSORS
 - 2 HOLDING BEAMS
- OTHER OPTIONS**
- 2 POS ROTARY CTRL SWITCH
 - DOOR POSITION SWITCH
 - ALARM CONTACTS
 - RECESSED DOOR PULLS
 - 6" JAMBS
 - INT
 - EXT
 - BOTH

TYPICAL PACKAGE DIMENSIONS (MEDIUM STILE)			
PACKAGE WIDTH	NOMINAL CLEAR DOOR OPENING	DOOR PANEL NOMINAL WIDTH	EMERGENCY BREAKOUT NOMINAL WIDTH
132"	56.8"	66.0"	N/A
144"	62.8"	72.0"	N/A
156"	68.8"	78.0"	N/A
168"	74.8"	84.0"	N/A

CART FORMULAS
 CLEAR DOOR OPENING = 1/2 PACKAGE WIDTH - 9.2"
 ENTRANCE DOOR PANEL WIDTH = 1/2 PACKAGE WIDTH

CART DOOR

CART DOOR

STANLEY
Access Technologies