

**DURA-GLIDE  
3000  
SERIES**

BI-PARTING WITH TRANSOM & ACCESS CONTROL, RECESSED

PROJECT INFORMATION

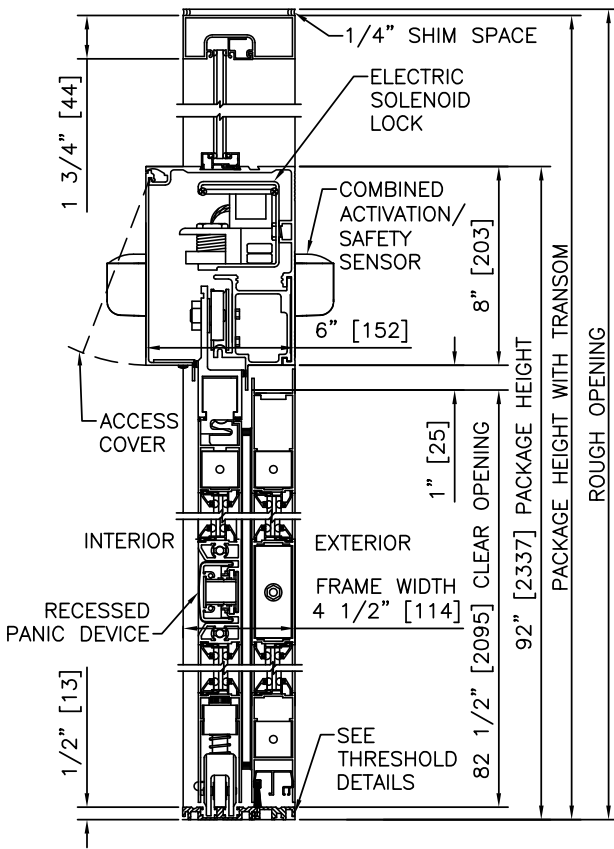
PROJECT NAME:

LOCATION:

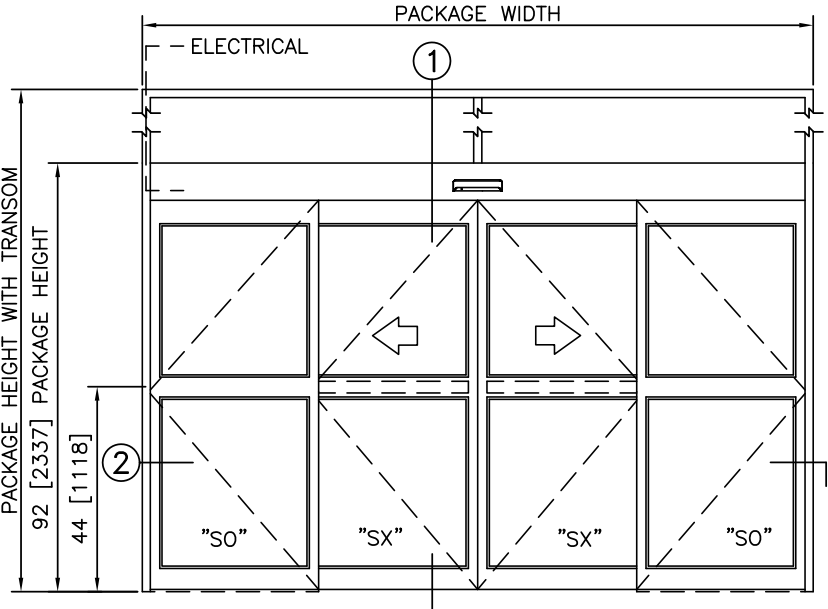
DOOR NUMBER(S):

DATE:

SHEET: OF

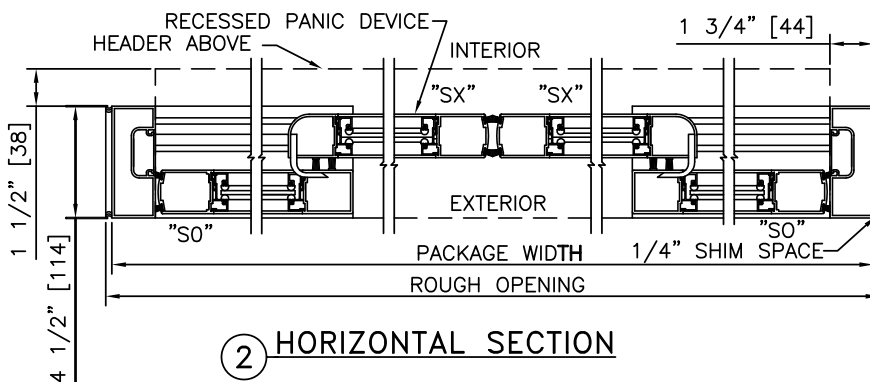
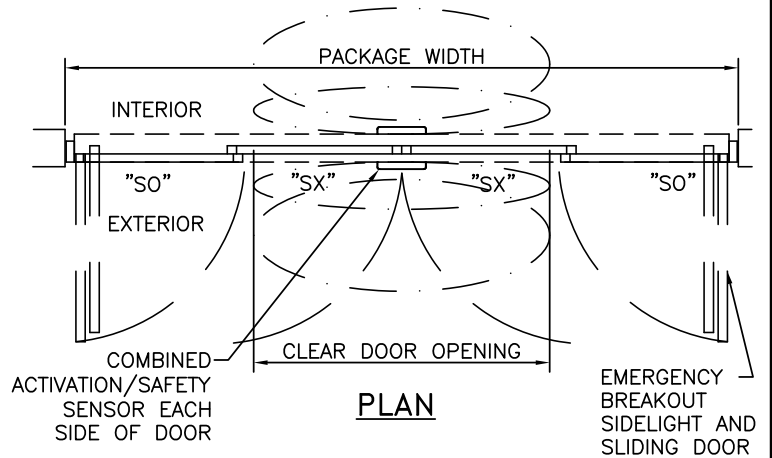


1 VERTICAL SECTION



**NOTES**

1. ELECTRICAL REQUIREMENTS: BY ELECTRICAL CONTRACTOR  
120 VAC, 5 AMP MIN TO POWER OPERATOR  
CONTROL CIRCUIT FROM SECURE ACTIVATION TO OPERATOR
2. ROUGH OPENING SHALL PROVIDE 1/4" [6] SHIM SPACE ON SIDES AND TOP OF PACKAGE.
3. LIMITS OF ACTIVATION AND SAFETY ZONES ARE FOR REFERENCE ONLY; SEE ANSI/BHMA A156.10 FOR DETAILED REQUIREMENTS.
4. SEE SPECIFICATIONS FOR ADDITIONAL INFORMATION.



2 HORIZONTAL SECTION

TYPICAL PACKAGE DIMENSIONS (NARROW STILE)			
PACKAGE WIDTH	NOMINAL CLEAR DOOR OPENING	DOOR PANEL NOMINAL WIDTH	EMERGENCY BREAKOUT NOM. WIDTH
120"	48.3"	30.3"	105.5"
144"	60.3"	36.3"	129.5"
168"	72.3"	42.3"	153.5"