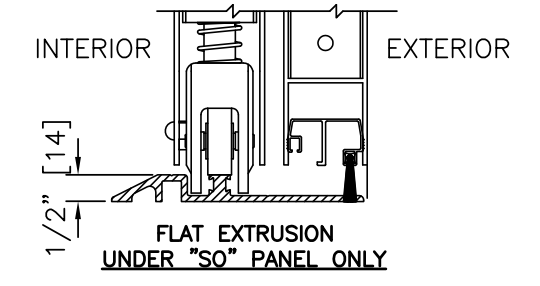
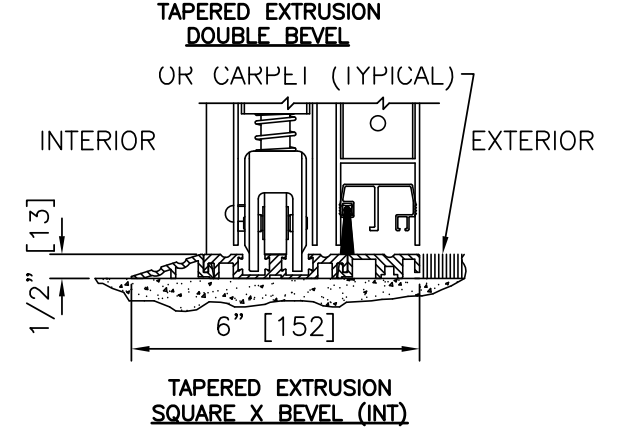
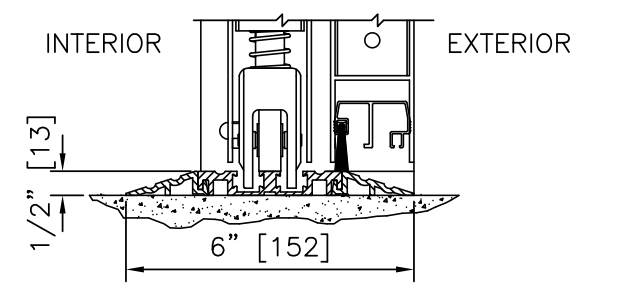
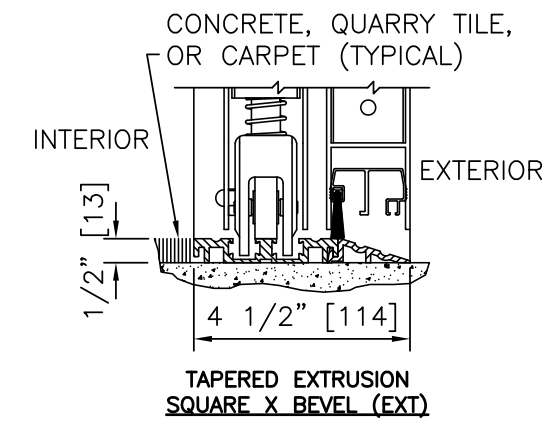
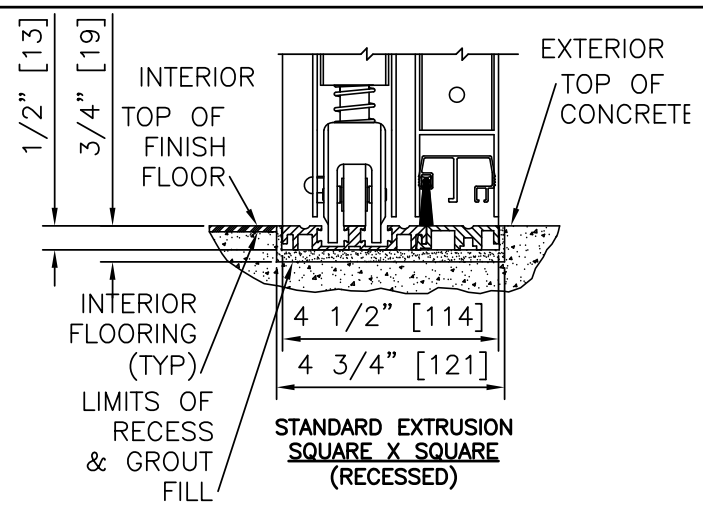
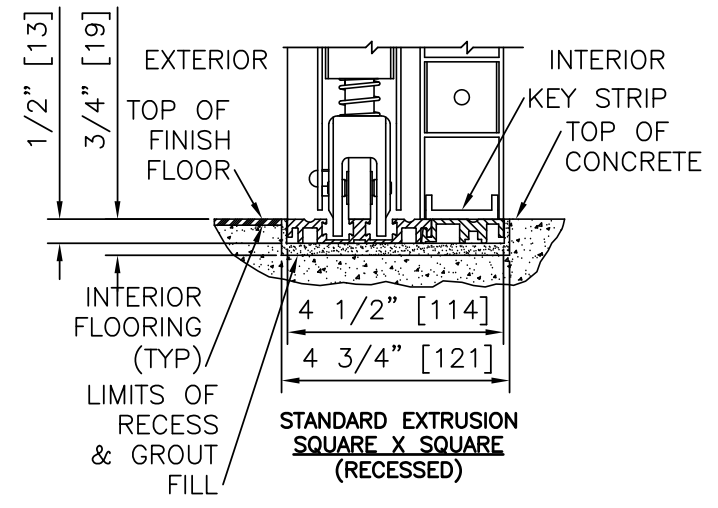
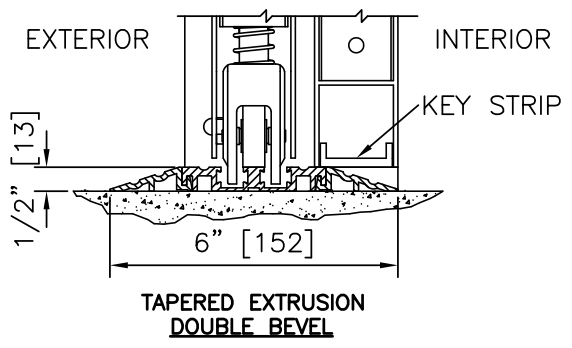
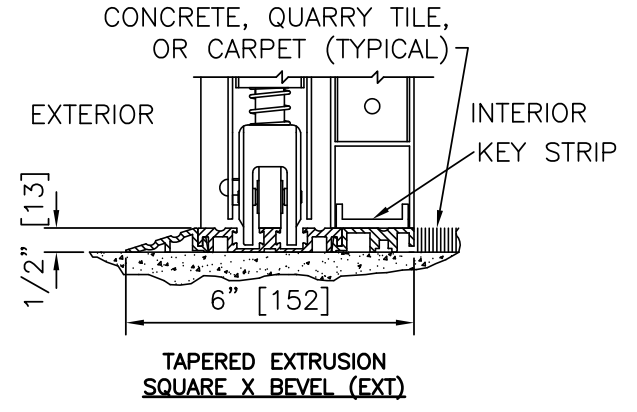
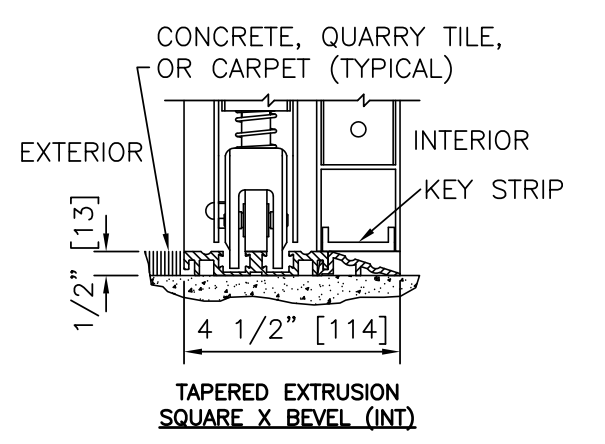




# DURA-GUARD 2000/3000 SERIES

THRESHOLD OPTIONS	
PROJECT INFORMATION	
PROJECT NAME:	
LOCATION:	
DOOR NUMBER(S):	
DATE:	SHEET: OF

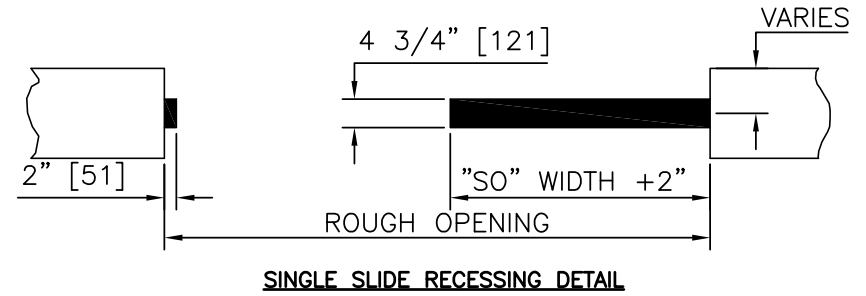
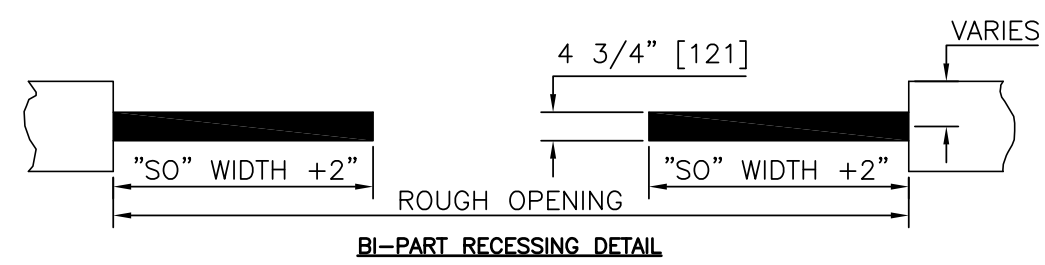


## DURA-GUARD 3000 SERIES 4 1/2" FRAME

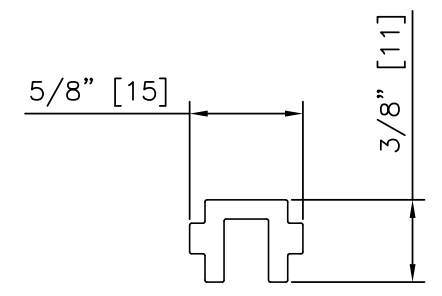
SCALE: 3" = 1'-0"

## DURA-GUARD 2000 SERIES 4 1/2" FRAME

SCALE: 3" = 1'-0"



- NOTES:**
1. RECESS SHALL BE 3/4" IN DEPTH BY 4 3/4" WIDE AND SHALL EXTEND FULL WIDTH OF ROUGH OPENING FOR CONTINUOUS THRESHOLDS OR UNDER "SO" PANELS ONLY FOR SEAMLESS FLOOR CONDITION AT DOOR OPENING.
  2. FOR CONTINUOUS OPTION, THRESHOLD SHALL BE SPLIT AS REQUIRED TO FACILITATE MAINTENANCE OF THRESHOLD SECTION AT DOOR OPENING.
  3. FILLER STRIP IS REQUIRED TO FILL SLOTS IN CONTINUOUS THRESHOLD THROUGHOUT DOOR OPENING.



SCALE: SHOWN ACTUAL SIZE

SCALE: 3/8" = 1'-0"

NOTE: RECESSING MAY BE CONTINUOUS

## DURA-GUARD 2000/3000 SERIES RECESSING DETAIL

SCALE: AS NOTED

THRESHOLD OPTIONS	
<b>DURA-GUARD 2000/3000 SERIES</b>	<b>STANLEY Security ACCESS TECHNOLOGIES</b>

**DURA-GUARD  
2000  
SERIES**

2000 THRESHOLD OPTIONS

PROJECT INFORMATION

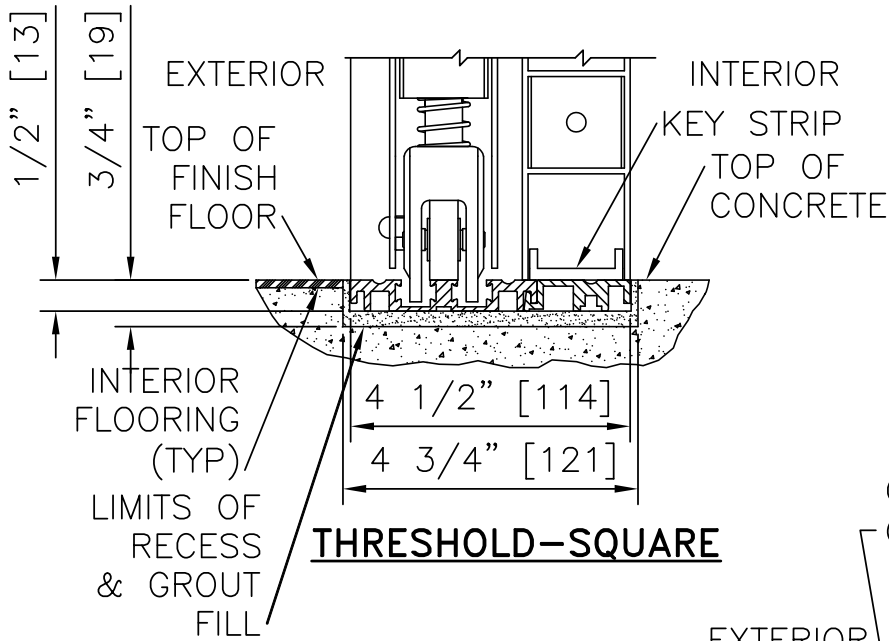
PROJECT NAME:

LOCATION:

DOOR NUMBER(S):

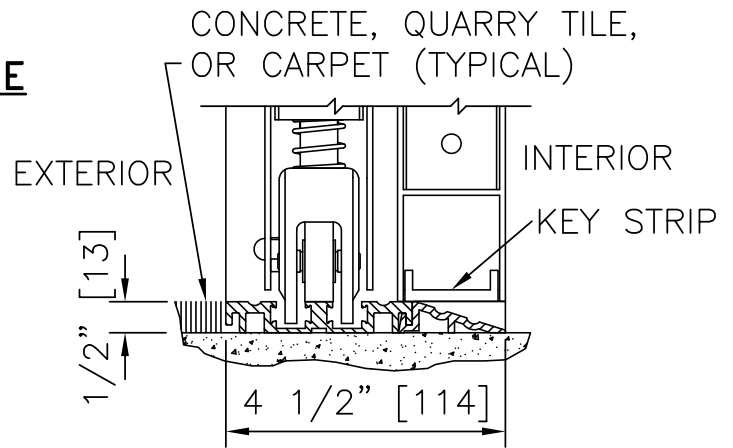
DATE:

SHEET: OF

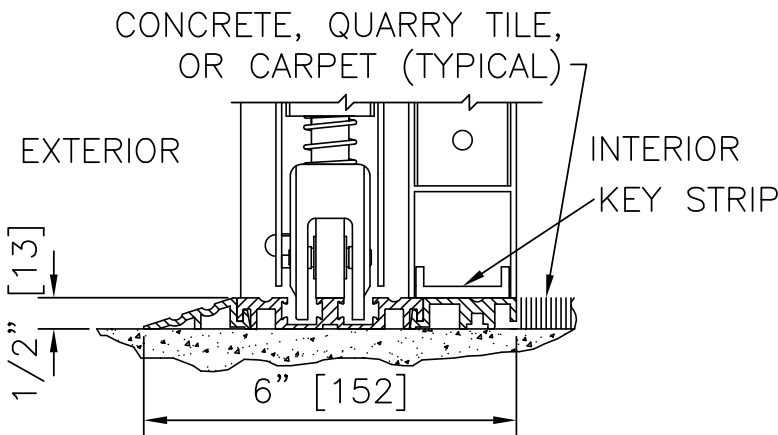


**THRESHOLD-SQUARE**

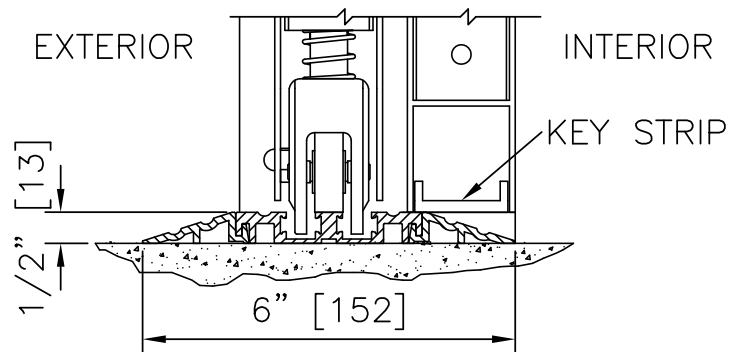
**NOTE:**  
SEE 1.53.03 FOR DETAILED  
RECESSING REQUIREMENTS



**THRESHOLD-TAPERED INT**



**THRESHOLD-TAPERED EXT**



**THRESHOLD-TAPERED**

**DURA-GUARD  
3000  
SERIES**

3000 THRESHOLD OPTIONS, SURFACE

PROJECT INFORMATION

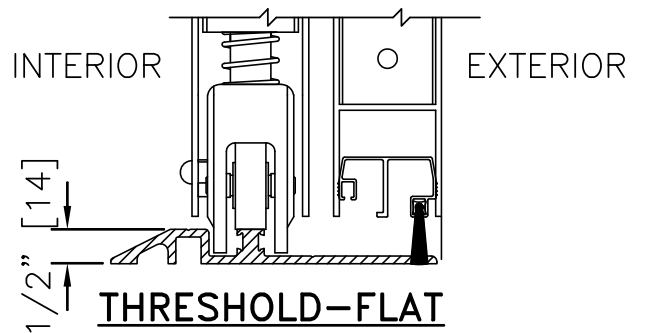
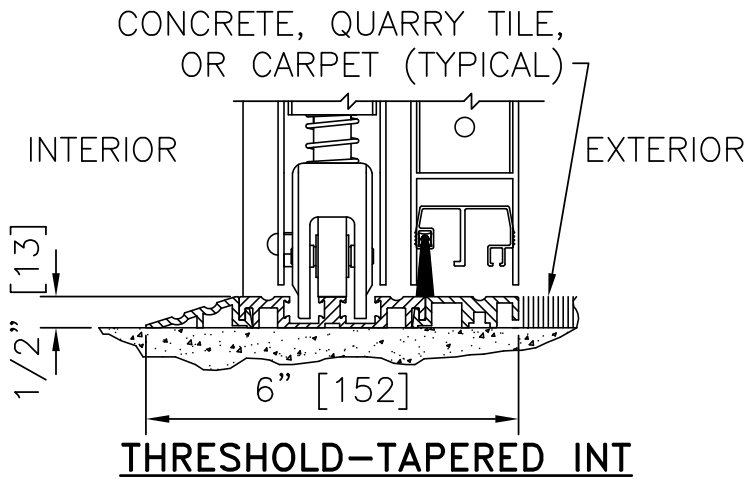
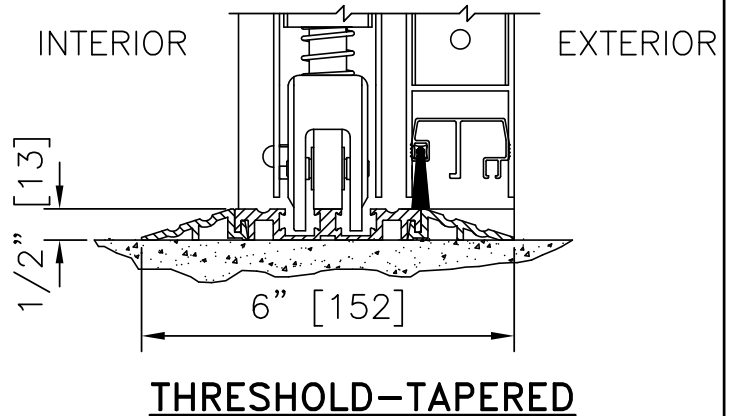
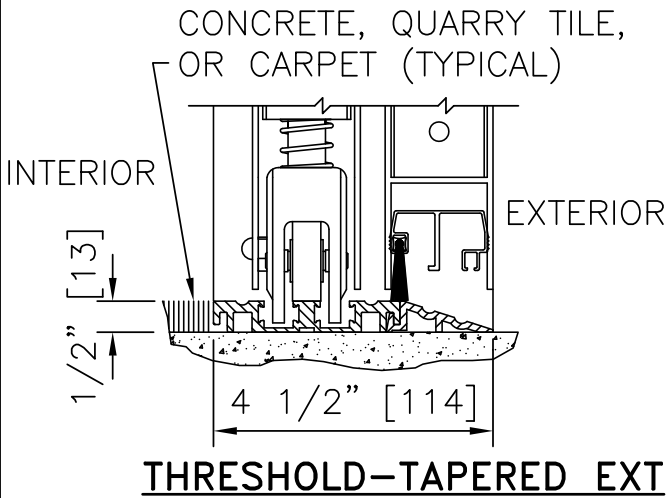
PROJECT NAME:

LOCATION:

DOOR NUMBER(S):

DATE:

SHEET: OF



**DURA-GUARD  
3000  
SERIES**

3000 THRESHOLD OPTIONS, RECESSED

PROJECT INFORMATION

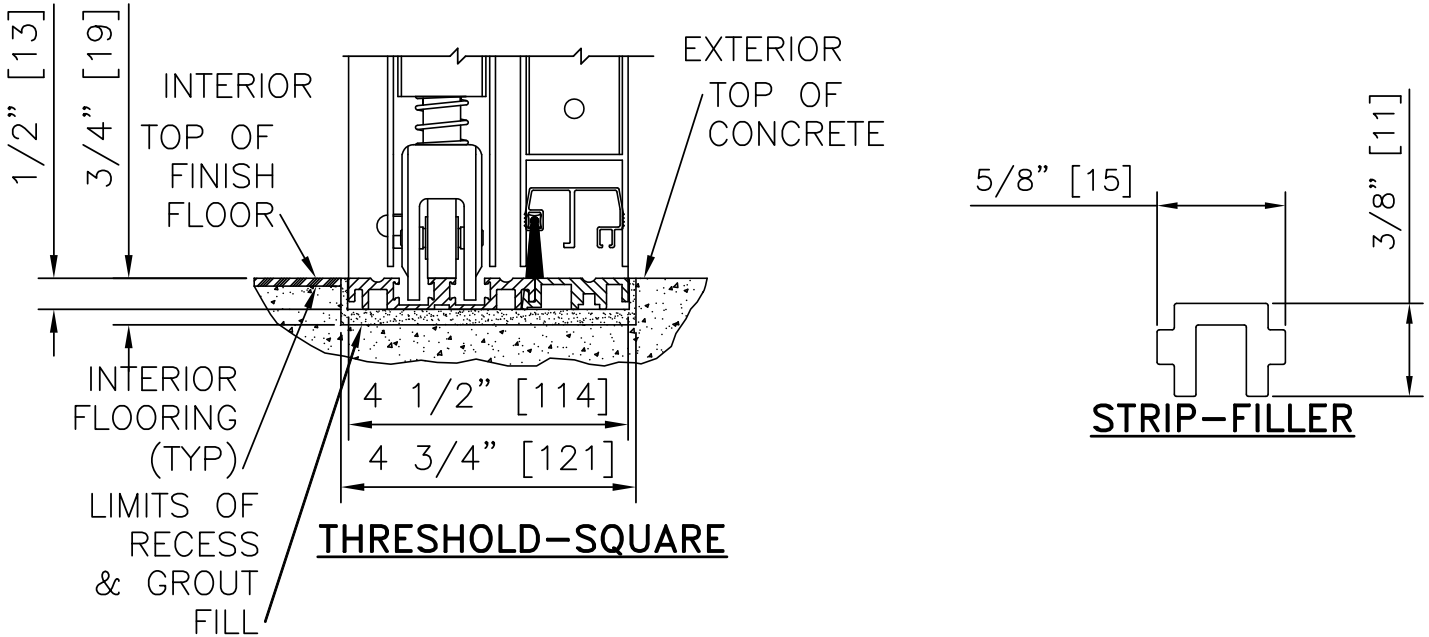
PROJECT NAME:

LOCATION:

DOOR NUMBER(S):

DATE:

SHEET: OF



**NOTES:**

1. RECESS SHALL BE 3/4" IN DEPTH BY 4 3/4" WIDE AND SHALL EXTEND FULL WIDTH OF ROUGH OPENING FOR CONTINUOUS THRESHOLDS OR UNDER "SO" PANELS ONLY FOR SEAMLESS FLOOR CONDITION AT DOOR OPENING.
2. FOR CONTINUOUS OPTION, THRESHOLD SHALL BE SPLIT AS REQUIRED TO FACILITATE MAINTENANCE OF THRESHOLD SECTION AT DOOR OPENING.
3. FILLER STRIP IS REQUIRED TO FILL SLOTS IN CONTINUOUS THRESHOLD THROUGHOUT DOOR OPENING.

