

Stanley Rush Series 1500 Revolving Door



NARROW STILE, FULLY FRAMED DOOR DESIGNED FOR LONG LASTING HEAVY USAGE APPLICATIONS

- Narrow line flush glazed door and enclosure sections
- Concealed collapsing mechanism and speed control
- Bookfold wing position factory set for emergency egress
- Easily removed door wings to provide fast and efficient service
- Tempered glass in door wings
- Standard and custom models available



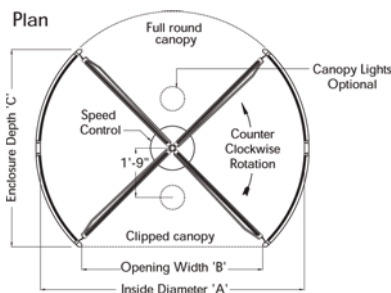
STANLEY Rush Products Group

65 Riviera Drive
Markham, ON, L3R 5J6
(T) 905-944-8005
(F) 905-944-8006

StanleyRush@sbdinc.com
www.stanleyrush.com

Stanley Rush Series 1500 Revolving Door

4-Wing Model



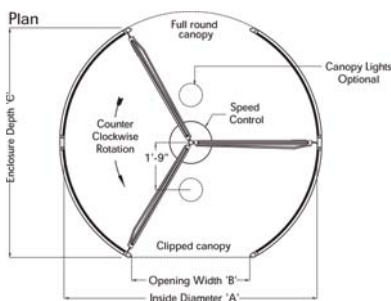
Standard 4-Wing Dimensions

DOOR DIAMETER – A	OPENING WIDTH – B	ENCLOSURE DEPTH - C
*6' 6" (1981)	4' 5 1/4" (1353)	4' 10 5/8" (1489)
*7' 0" (2134)	4' 9 1/2" (1461)	5' 2 7/8" (1597)
*7' 6" (2286)	5' 1 3/4" (1568)	5' 7 1/8" (1705)
*8' 0" (2438)	5' 6" (1676)	5' 11 3/8" (1813)

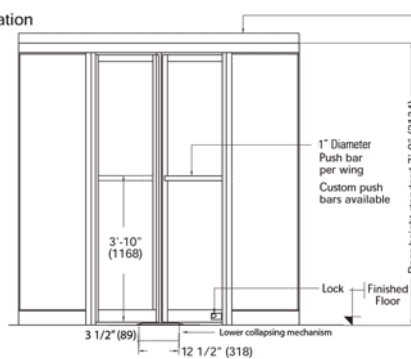
Standard 3-Wing Dimensions

DOOR DIAMETER – A	OPENING WIDTH – B	ENCLOSURE DEPTH - C
*6' 6" (1981)	3' 0 3/8" (924)	5' 11 1/4" (1810)
*7' 0" (2134)	3' 3 3/8" (1000)	6' 4 1/4" (1937)
*7' 6" (2286)	3' 6 3/8" (1076)	6' 9 7/16" (2069)
*8' 0" (2438)	3' 9 3/8" (1153)	7' 2 5/8" (2200)

3 Wing Model



Elevation



Standard 3" high canopy
Optional 6" high canopy
is required if using over-head
speed controllers on larger doors

Custom Dimensions are available in almost any size.

*Denotes standard size doors in 7' 0"(2134) height. All other sizes and heights are custom fabricated and finished to suit specific job requirements.

IMPORTANT NOTICE: 3 –WING models have a smaller opening width and therefore we recommend that 2 units be considered for in/out traffic flow.

Series 1500 Features and Specifications:

Description	Standard Configuration	Options
Diameters	Shown Above	Consult Factory
Heights	7' inside height	Consult Factory
Wings	3 or 4	3 or 4
Sweeps	Felt – Rubber – Black	Consult Factory
Locks	Two	
Finishes	Anodized	Painted, Stainless Steel or Muntz Clad
Collapsing	Concealed	
Canopy	3" (75 mm), 6" (150 mm)	Consult Factory
Drum glass	5/16" (8mm)	7/16" or 1/4"
Wing glass	1/4" 6mm	Optional sizes when clad
Wing Rails/Stiles	Narrow	
Bottom bearings	Tapered, roller steel	
Speed control	Overhead, floor manual	Floor mounted hydraulic
Ceiling	One or two pieces	
Roof	Full circular	To match finish
Lights	2 optional	As requested
Custom Options	Consult Factory	



STANLEY Rush Products Group

65 Riviera Drive
Markham, ON, L3R 5J6
(T) 905-944-8005
(F) 905-944-8006

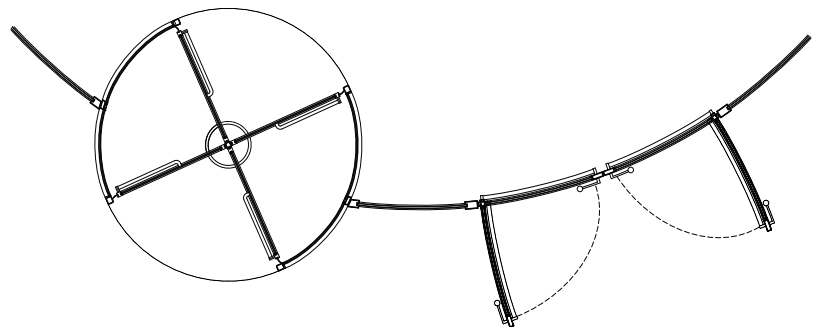
StanleyRush-sales@sbdinc.com
www.stanleyrush.com



Cesar Pell & Associates

#1500 Series Revolving Doors
#2010 Series Curved Swing Doors
with Automatic operators

Stainless Steel Blend 'S' Finish
and Curved Sidelights

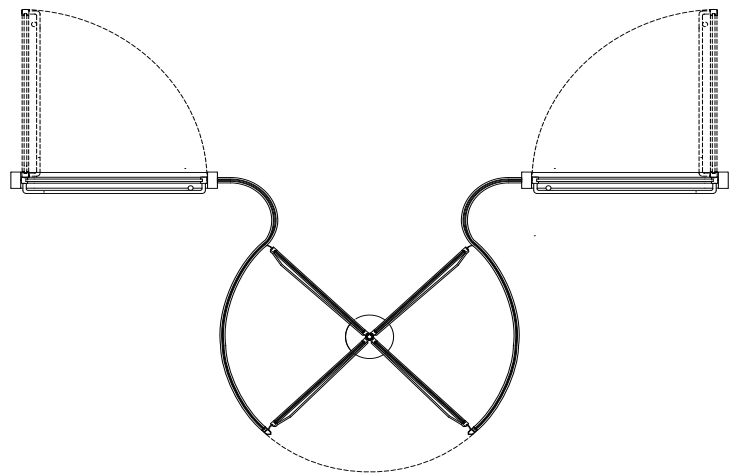




Adamson Associates

Special 12' High Doors
#1500 Series Revolving Door
#2010 Series Pivot Door
Fully automatic with safety features
& security cameras

Satin Stainless Steel Finish

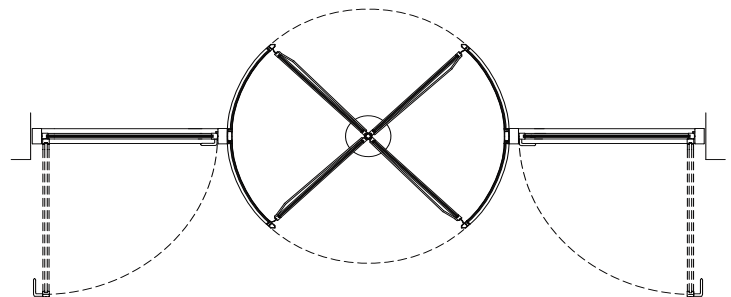


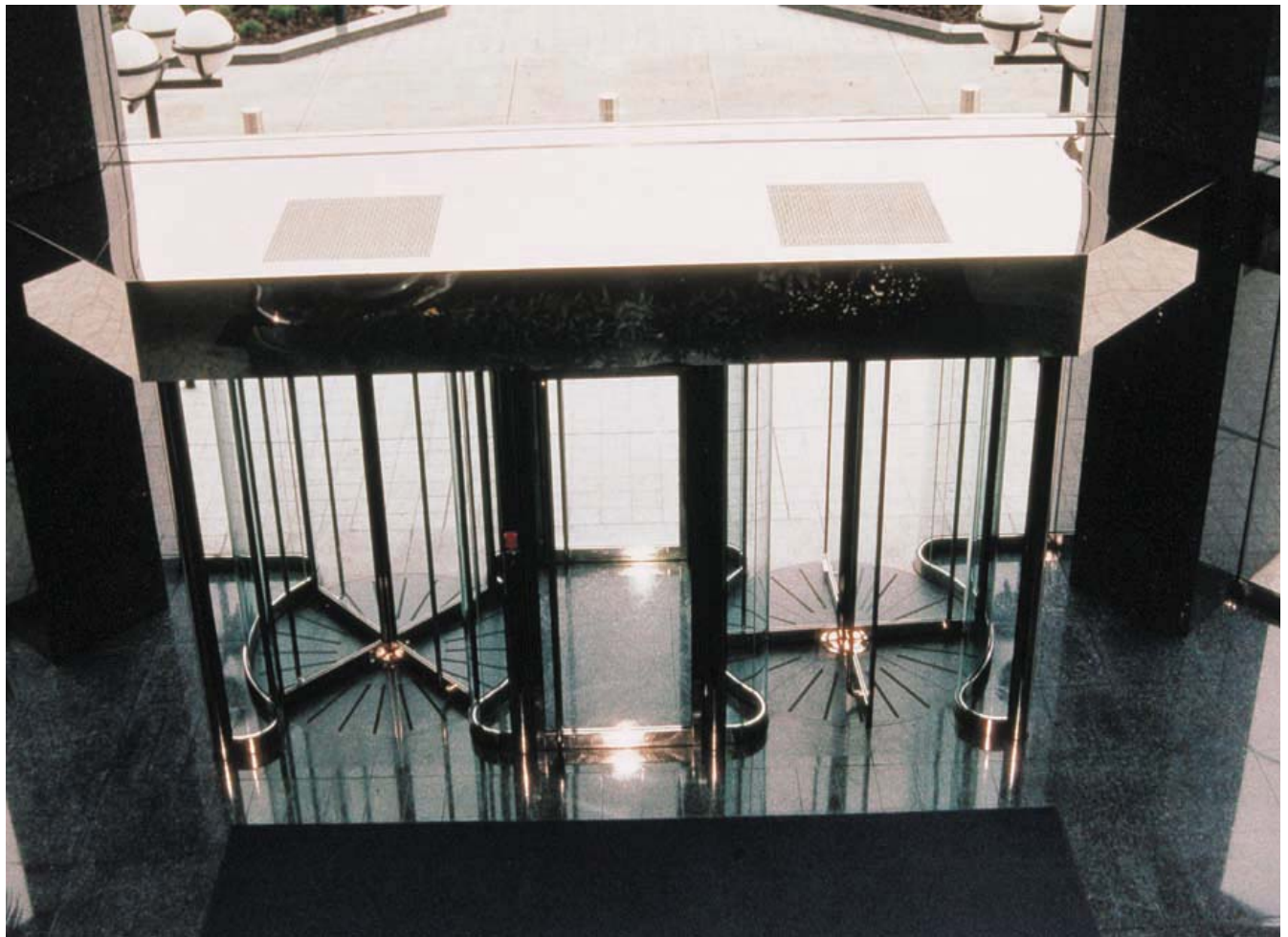


Skidmore Owings Merrill, Architects

#1500 Series Revolving Door
#2010 Series Pivot Doors

Custom Canopy and Transom
Painted aluminum frames with
stainless steel Blend 'S' finish door
wings and pivot door leaves

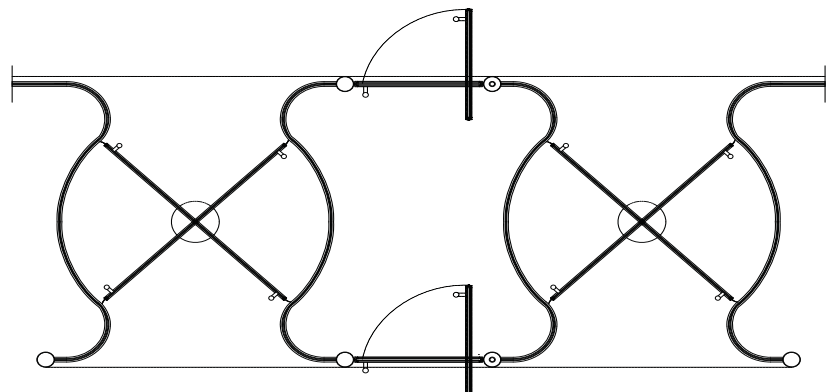




Webb Zerafa Menkes Housden Partnership

#1500 Series Revolving Doors
#3010 Series Balanced Doors -
Handicap Access Centre Vestibule
under Entrance Canopy

Total Vision Glass System Complex
Curved Screens and Sidelights
Stainless Steel Mirror Finish





Shore Tilbe Irwin Architects

#1500 Series Revolving Doors

Custom bronze door wings
Stainless Steel Blend 'S'
Revolving Door Cage

