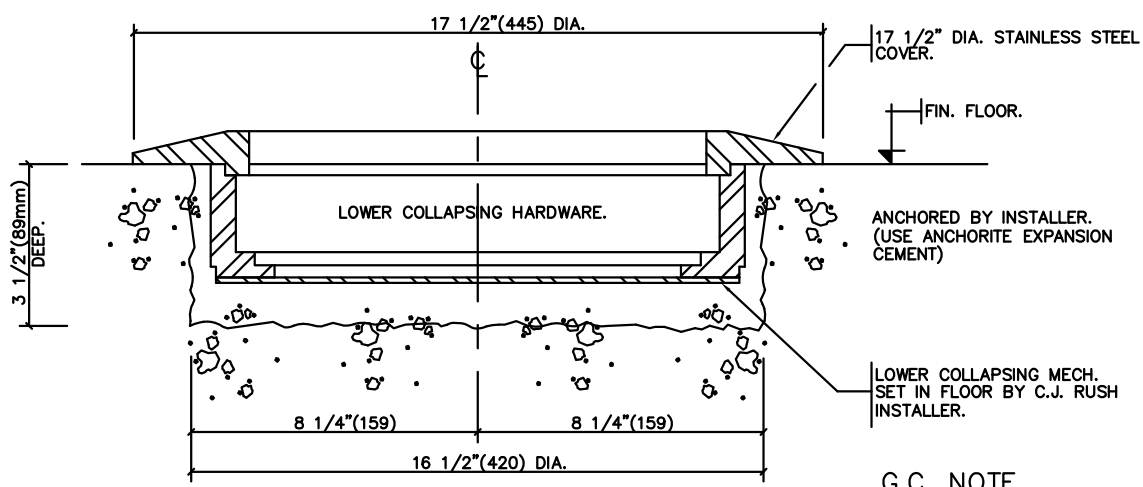


- OVERHEAD MOUNTED AUTOMATIC SPEED CONTROL
- BEA EAGLE DOOR ACTIVATION SENSOR
- OVERHEAD SAFETY SENSOR OPTIC EDGE
- 3 WAY KEY LOCK SWITCH MOUNTED AT INTERIOR CORNER POST 60" ABOVE FINISHED FLOOR
- 1/4" TEMPERED GLASS IN DOOR WING.
- 1/4" CURVED TEMPERED GLASS IN SCREEN
- TS-46 DOOR HEEL SAFETY SENSOR SWITCH MOUNTED TO BOTTOM OF ALL DOOR LEAFS
- FIN. FLOOR

REVOLVING DOOR ENTRANCE ELEVATION
1 REQUIRED
SCALE: NONE

G.C. NOTE:
RECESS REQ'D @ REV. DOOR CENTER (BY G.C.) FOR LOWER COLLAPSING UNIT AS PER THE DETAIL AT RIGHT.



DETAIL -3 WING LOWER COLLAPSING MECH.
NOT TO SCALE

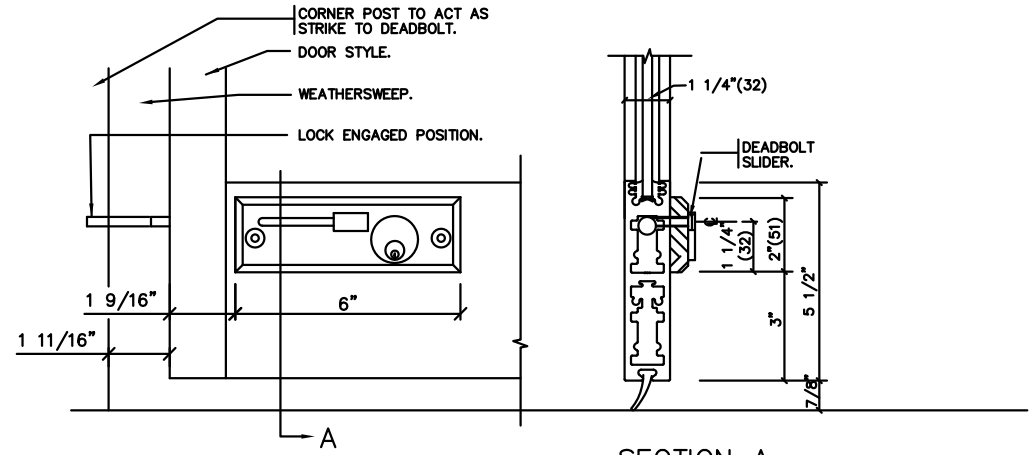
G.C. NOTE

GENERAL CONTRACTOR TO PROVIDE 3 1/2" (89) DEEP x 16 1/2" DIA. RECESS IN SLAB FOR COLLAPSING MECH. ALL PREPARATORY WORK TO FLOOR & SLAB BY OTHERS.

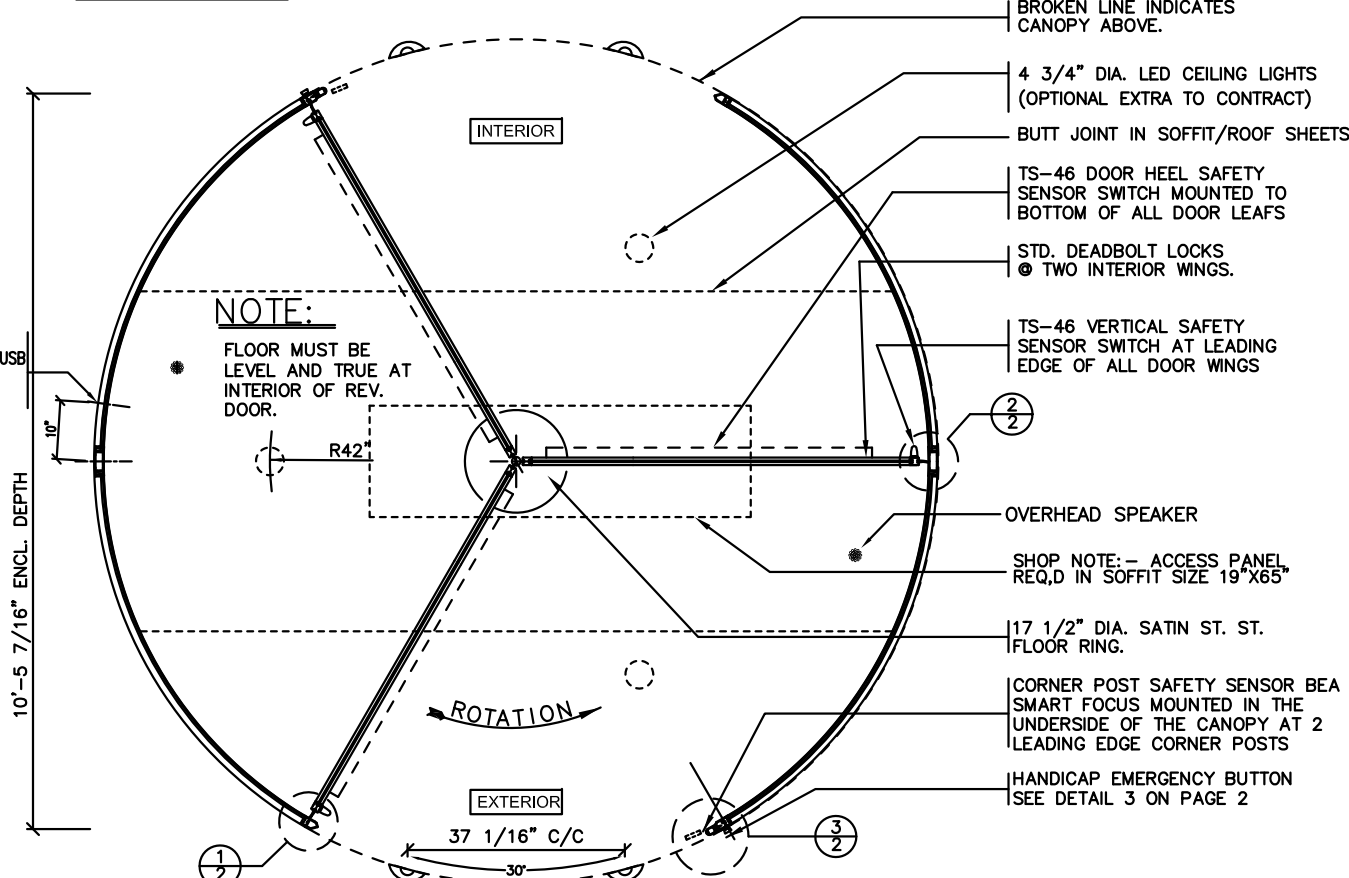
Date	REVISIONS	By	Issue
No.	ISSUED	Date	
	FOR APPROVAL	?	

IMPORTANT NOTICE
Stanley Rush wishes to bring to your attention the following, for which we assume NO RESPONSIBILITY:
(1) The use of these drawings by other parties is the sole responsibility of that party as to site conditions, measurements, etc.
(2) Movement of structures by forces causing misalignment and improper function of our product.
(3) Results of glass breakage causing bodily harm through improper use or mischief.

SPECIAL REFERENCE NOTE
Very often the method of manufacturing as shown on these shop drawings are a development of the skills of the company. Any reproduction and or distribution in whole or in part, without expressed or written consent is strictly prohibited.
Stanley Rush



STD. DEADBOLT DETAILS
SCALE: NONE



REVOLVING DOOR ENTRANCE PLAN
SCALE: NONE

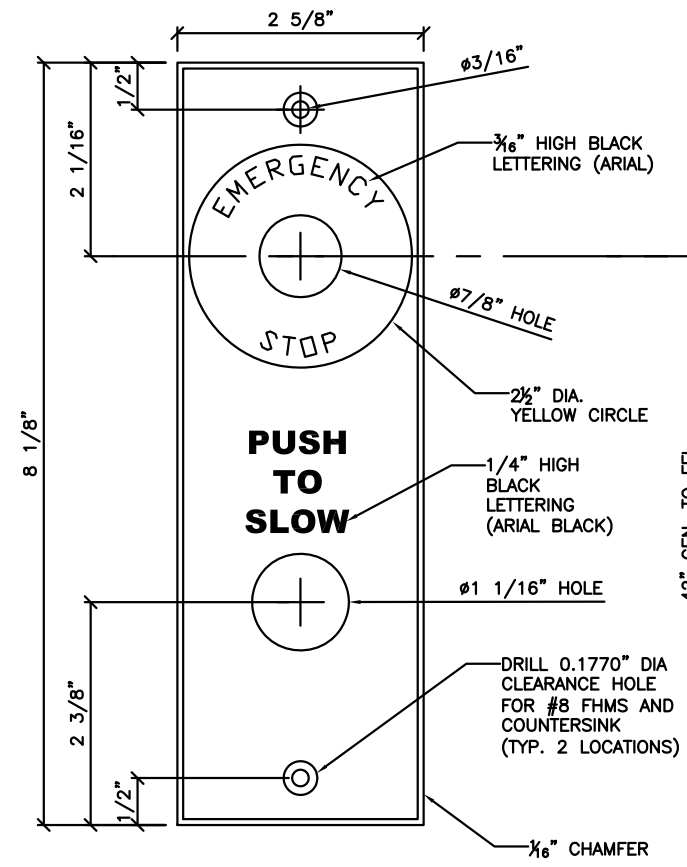
NOTE:
GENERAL CONTRACTOR TO PROVIDE 110V, 60Hz, 15 AMP. POWER TO 4 GANG OUTLET BOX LOCATED IN REVOLVING DOOR CANOPY. BOX AND OUTLETS PROVIDED BY STANLEY WIRING BY ELECTRICIAN

SHOP NOTE:
FINISH= ANODIZED/PAINTED
CURVED GLASS TINT= CLEAR
DR. WG. GLASS TINT= CLEAR
REV. DOOR OPERATION: OVERHEAD ELECTRIC AUTOMATIC.

STANLEY RUSH
65 RIVIERA DRIVE MARKHAM, ONT. CANADA, L3R 5J6
Tel. 888-301-5407 905-944-8005 Fax 905-944-8006

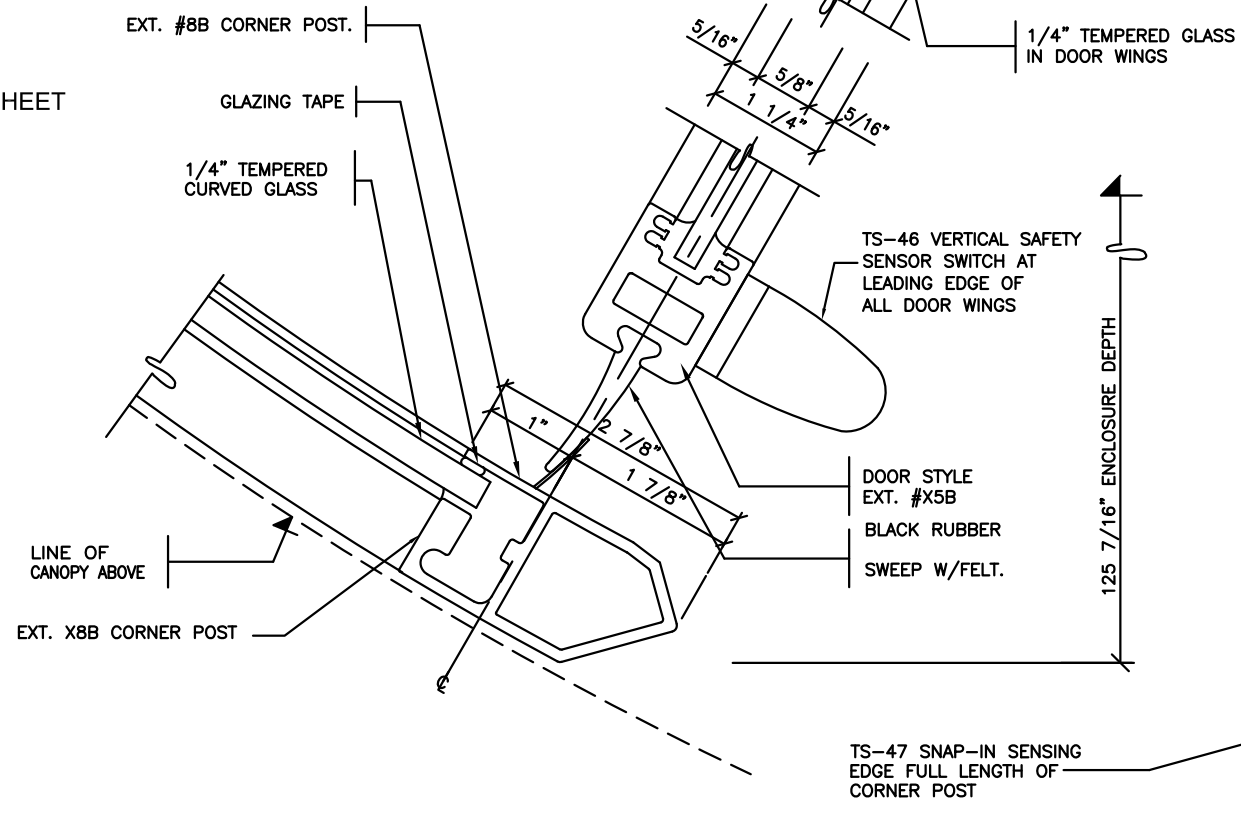
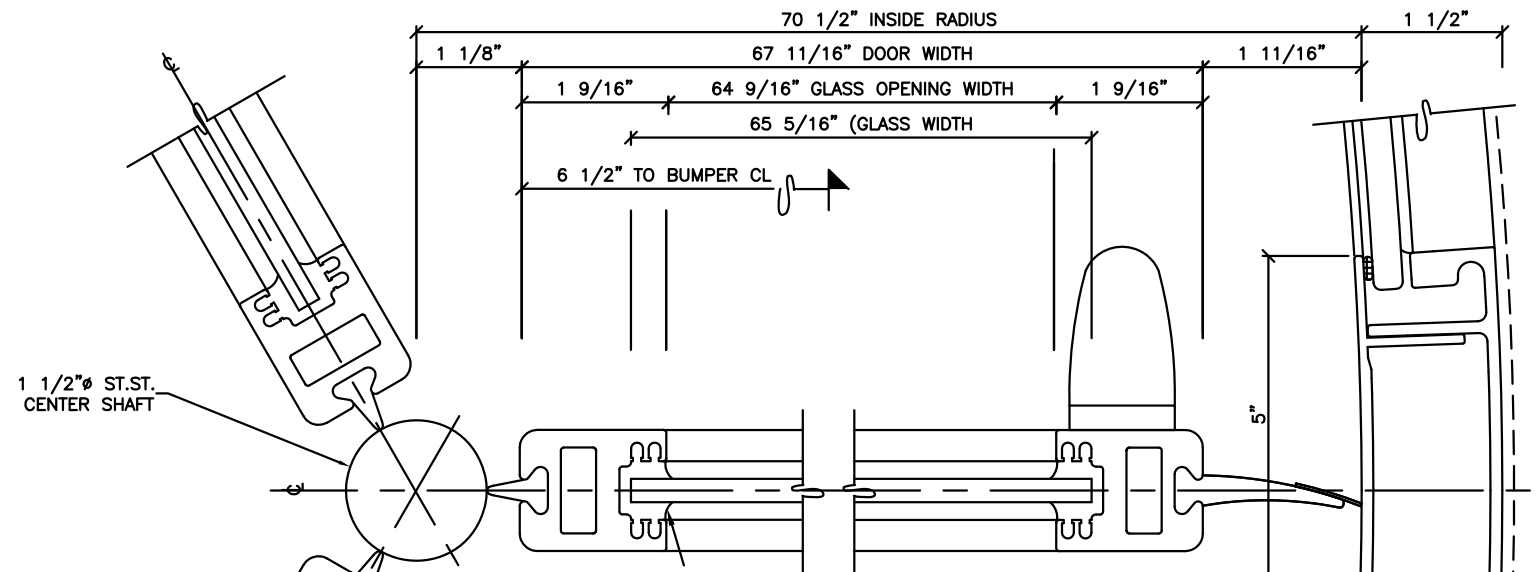
1500 SERIES FULLY AUTOMATIC REVOLVING DOOR
PLAN/ELEV/DETAILS

BUILDING	
LOCATION	
ARCH-ENG.	
CONTRACTOR	
Drawn by	Job No.
Checked by	
Scale	Dwg. No.
Date	01
Finish	

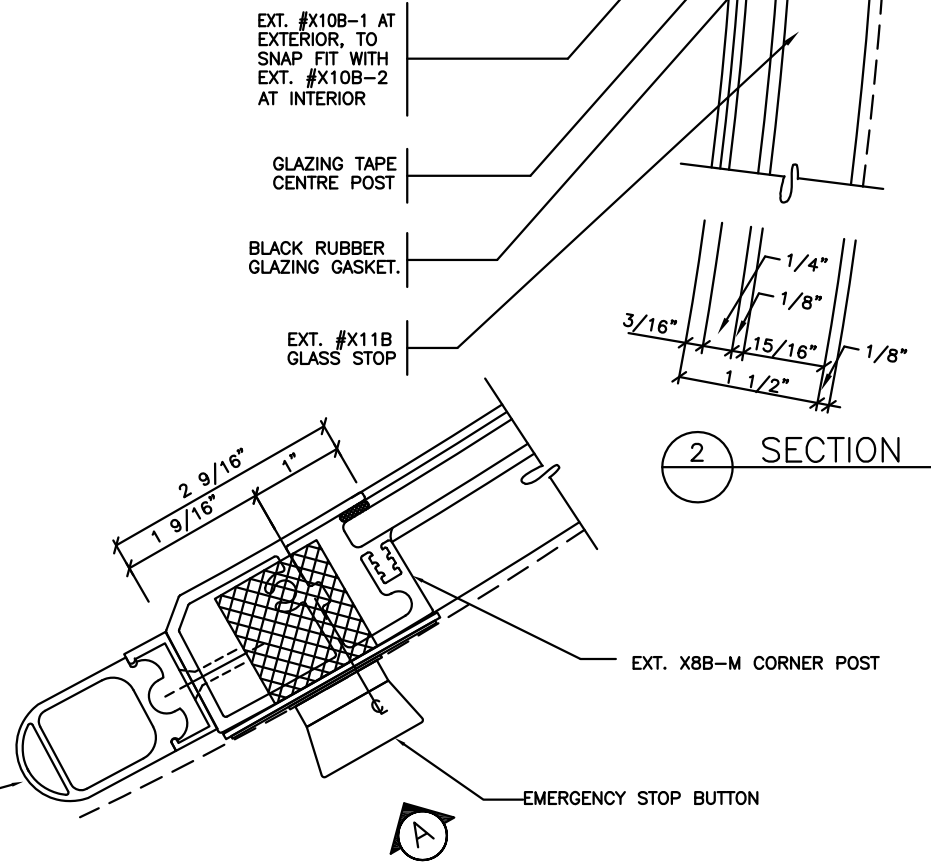


Ⓐ - FRONT ELEVATION

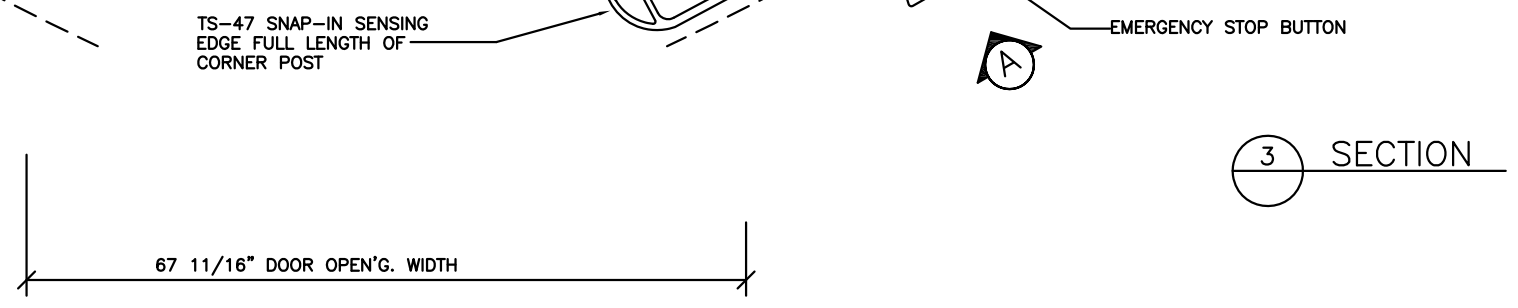
MATERIAL: 1/8" STAINLESS STEEL SHEET
 FINISH: #4 BRUSHED SATIN



① SECTION



② SECTION



③ SECTION

Date	REVISIONS	By	Issue

IMPORTANT NOTICE
 Stanley Rush wishes to bring to your attention the following, for which we assume NO RESPONSIBILITY:

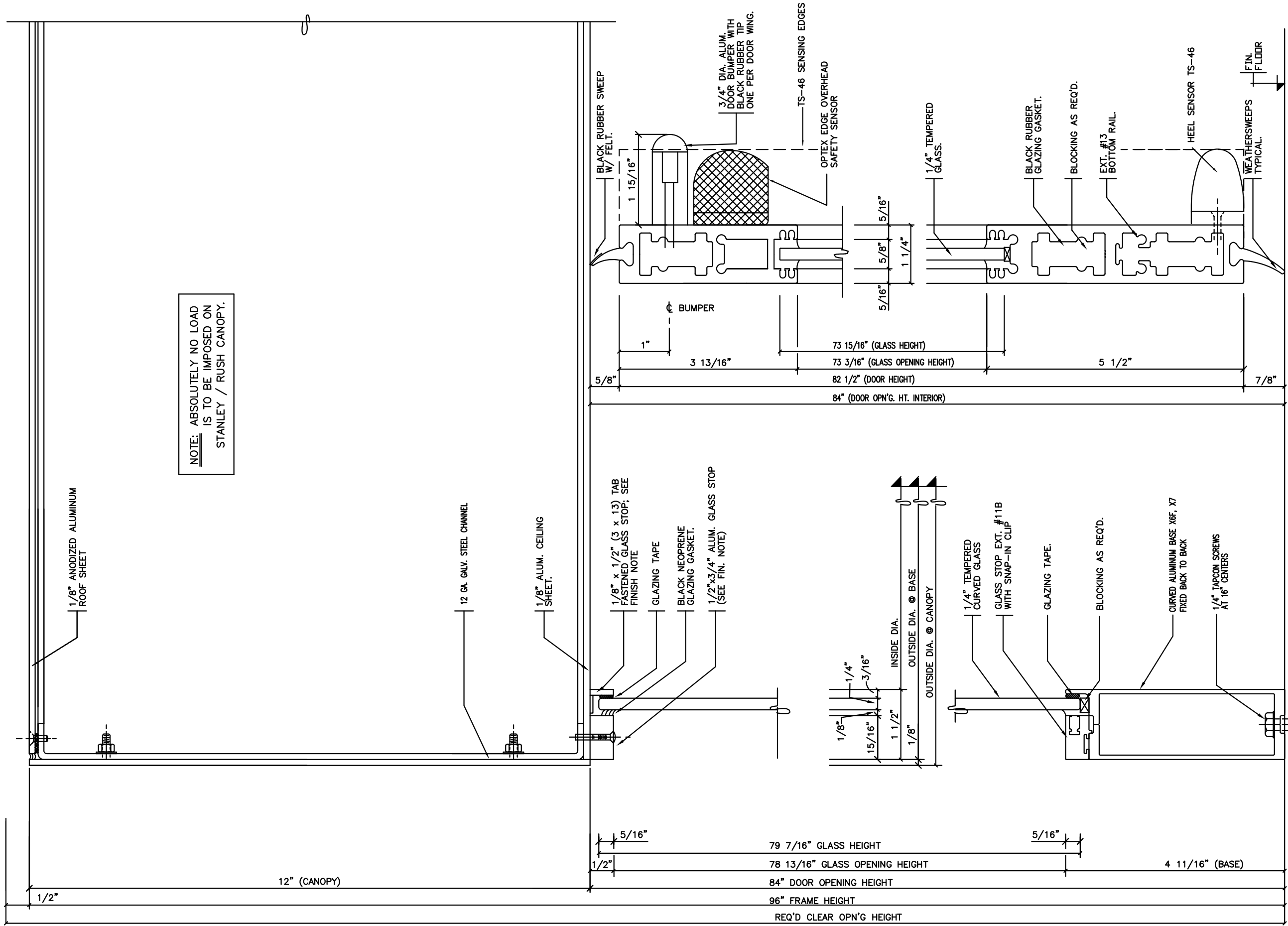
- (1) The use of these drawings by other parties is the sole responsibility of that party as to site conditions, measurements, etc.,
- (2) Movement of structures by forces causing misalignment and improper function of our product.
- (3) Results of glass breakage causing bodily harm through improper use or mischief.

SPECIAL REFERENCE NOTE
 Very often the method of manufacturing as shown on these shop drawings are a development of the skills of the company. Any reproduction and or distribution in whole or in part, without expressed or written consent is strictly prohibited.
 Stanley Rush

STANLEY RUSH
 65 RIVIERA DRIVE MARKHAM, ONT. CANADA, L3R 5J6
 Tel. 888-301-5407
 905-944-8005
 Fax 905-944-8006

1500 SERIES FULLY AUTOMATIC REVOLVING DOOR PLAN DETAILS

BUILDING	
LOCATION	
ARCH-ENG.	
CONTRACTOR	
Drawn by	Job No.
Checked by	Dwg. No.
Scale	
Date	
Finish	02



NOTE: ABSOLUTELY NO LOAD IS TO BE IMPOSED ON STANLEY / RUSH CANOPY.

5 SECTION

4 SECTION

Date	REVISIONS	By	Issue
No.	ISSUED	Date	

IMPORTANT NOTICE
Stanley Rush wishes to bring to your attention the following, for which we assume NO RESPONSIBILITY:

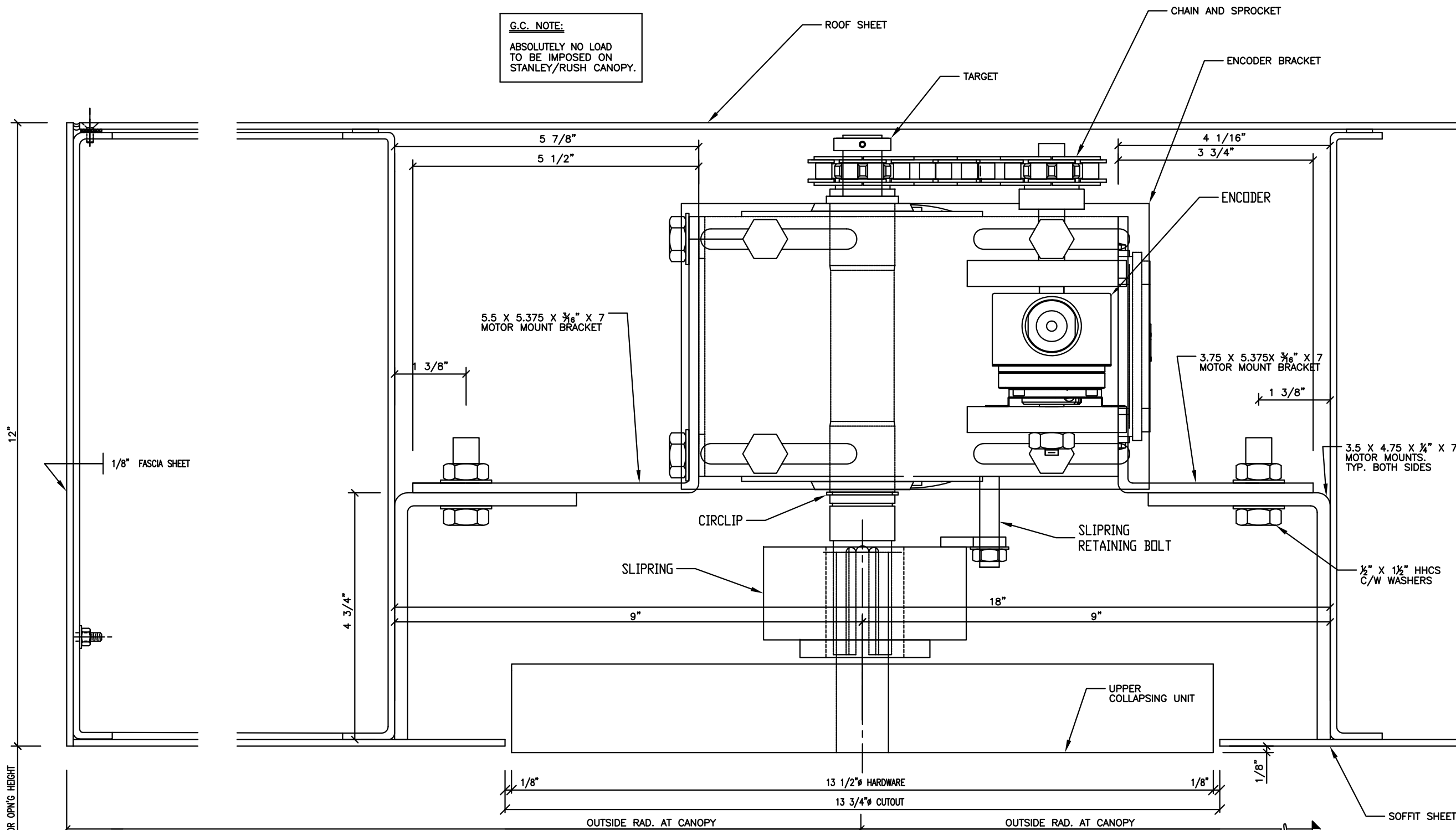
- (1) The use of these drawings by other parties is the sole responsibility of that party as to site conditions, measurements, etc.,.
- (2) Movement of structures by forces causing misalignment and improper function of our product.
- (3) Results of glass breakage causing bodily harm through improper use or mischief.

SPECIAL REFERENCE NOTE
Very often the method of manufacturing as shown on these shop drawings are a development of the skills of the company. Any reproduction and or distribution in whole or in part, without expressed or written consent is strictly prohibited.
Stanley Rush

STANLEY RUSH
65 RIVIERA DRIVE MARKHAM, ONT. CANADA, L3R 5J6
Tel. 888-301-5407
905-944-8005
Fax 905-944-8006

1500 SERIES FULLY AUTOMATIC REVOLVING DOOR VERTICAL SECTION

BUILDING	
LOCATION	
ARCH-ENG.	
CONTRACTOR	
Drawn by	Job No.
Checked by	
Scale	Dwg. No.
Date	
Finish	03



Date	REVISIONS	By	Issue
No.	ISSUED	Date	

IMPORTANT NOTICE

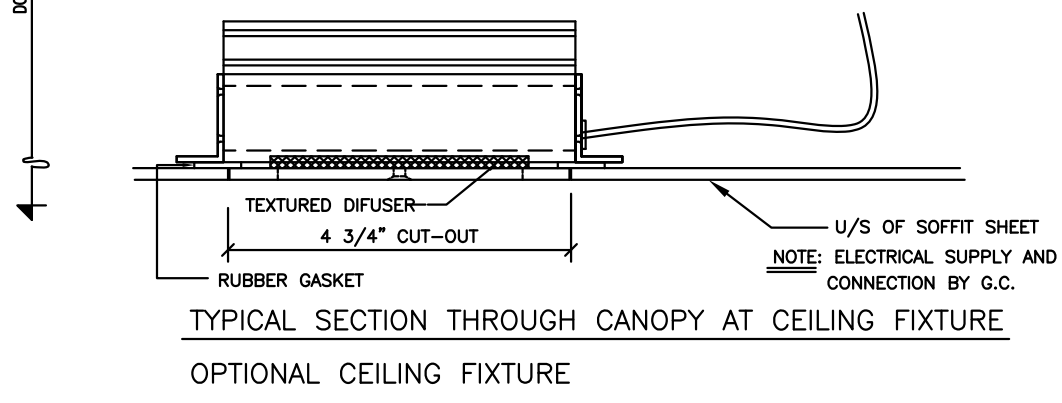
Stanley Rush wishes to bring to your attention the following, for which we assume NO RESPONSIBILITY:

- (1) The use of these drawings by other parties is the sole responsibility of that party as to site conditions, measurements, etc.,
- (2) Movement of structures by forces causing mis-alignment and improper function of our product.
- (3) Results of glass breakage causing bodily harm through improper use or mischief.

SPECIAL REFERENCE NOTE

Very often the method of manufacturing as shown on these shop drawings are a development of the skills of the company. Any reproduction or distribution in whole or in part, without expressed or written consent is strictly prohibited.

Stanley Rush



6 SECTION

STANLEY RUSH

65 RIVIERA DRIVE
MARKHAM, ONT.
CANADA, L3R 5J6

Tel. 888-301-5407
905-944-8005
Fax 905-944-8006

1500 SERIES FULLY AUTOMATIC REVOLVING DOOR CANOPY FRAME

BUILDING	
LOCATION	
ARCH-ENG.	
CONTRACTOR	
Drawn by	Job No.
Checked by	Dwg. No. 04
Scale	
Date	
Finish	