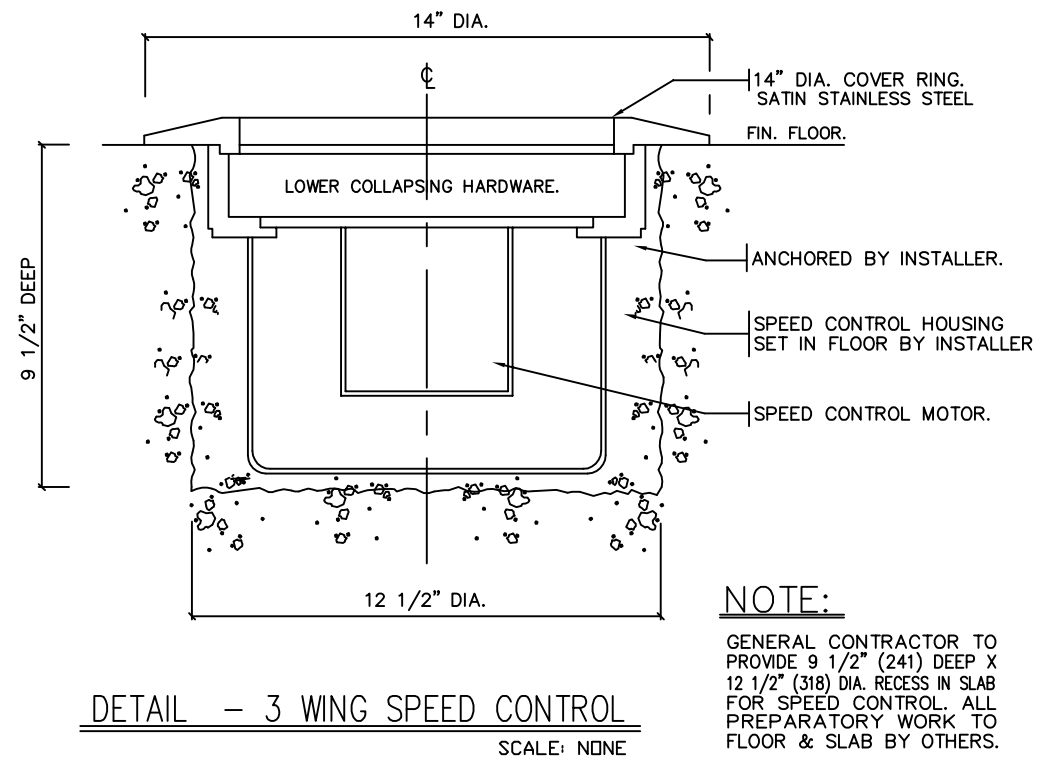
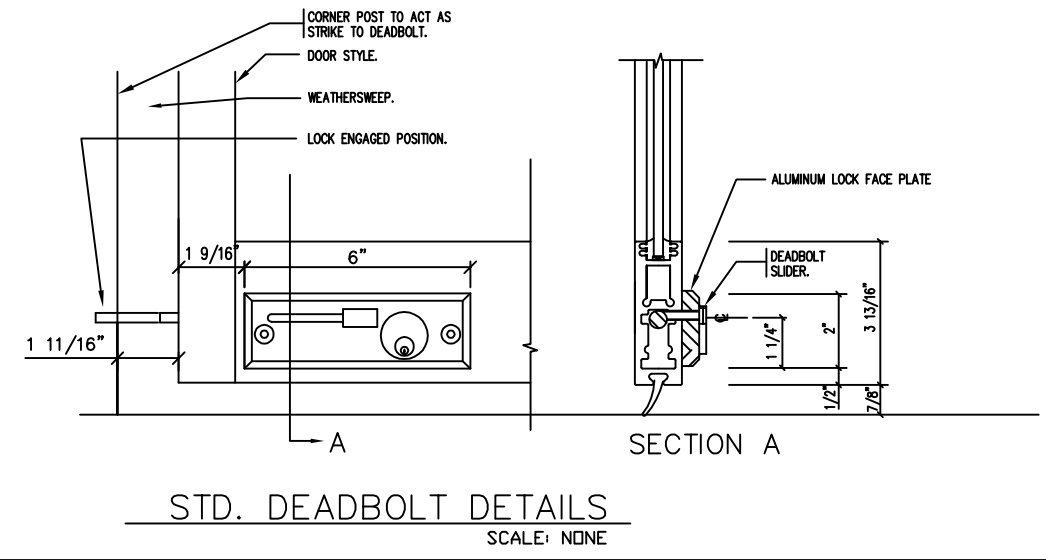


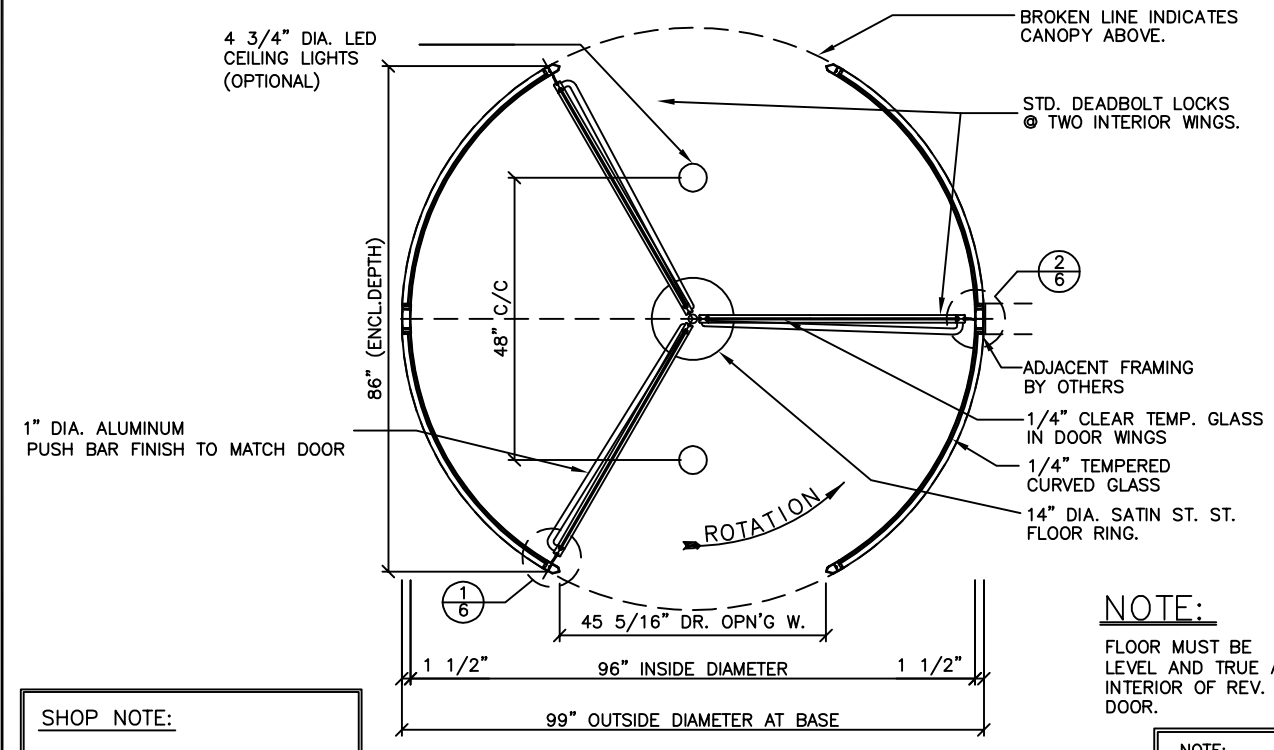
REVOLVING DOOR ENTRANCE ELEVATION
1 REQUIRED



DETAIL - 3 WING SPEED CONTROL
SCALE: NONE



STD. DEADBOLT DETAILS
SCALE: NONE

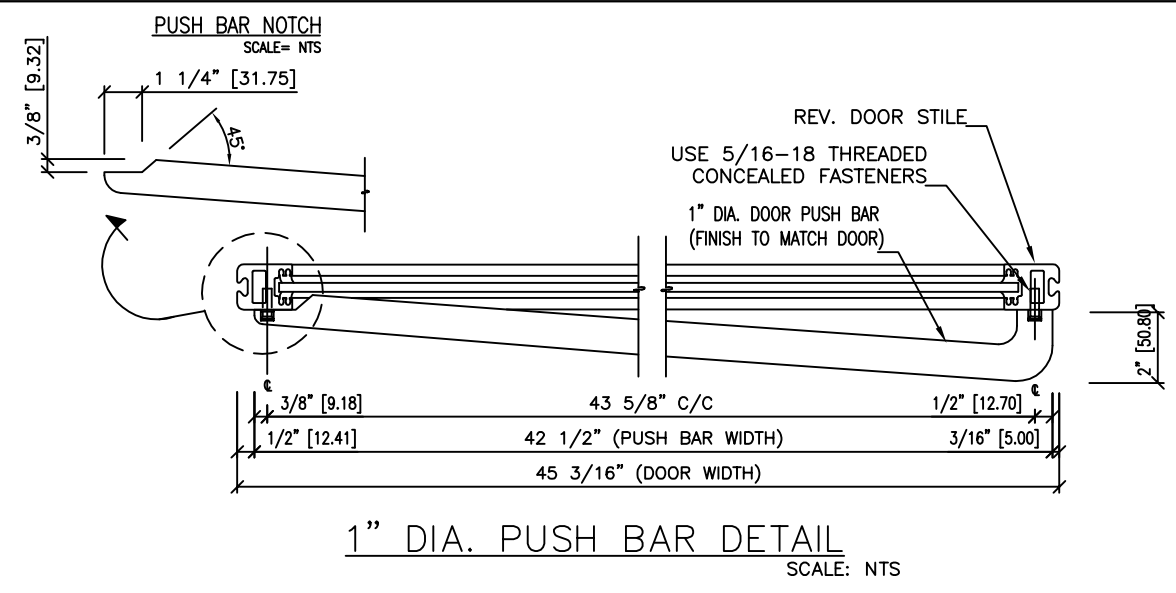


REVOLVING DOOR ENTRANCE PLAN

SHOP NOTE:
FINISH= ANODIZED/PAINT
CURVED GLASS TINT= CLEAR
DR. WG. GLASS TINT= CLEAR
FLOOR MANUAL SPEED CONTROL

NOTE:
FLOOR MUST BE LEVEL AND TRUE AT INTERIOR OF REV. DOOR.

NOTE:
GENERAL CONTRACTOR TO PROVIDE 110V 15AMP. POWER SUPPLY TO REV. DOOR CIELING LIGHTS INCLUDING ALL WIRING AND ACCESSORIES.



1\"/>

Date	REVISIONS	By	Issue

No.	ISSUED	Date

IMPORTANT NOTICE
Stanley Rush wishes to bring to your attention the following, for which we assume NO RESPONSIBILITY:
(1) The use of these drawings by other parties is the sole responsibility of that party as to site conditions, measurements, etc.,
(2) Movement of structures by forces causing misalignment and improper function of our product.
(3) Results of glass breakage causing bodily harm through improper use or mischief.

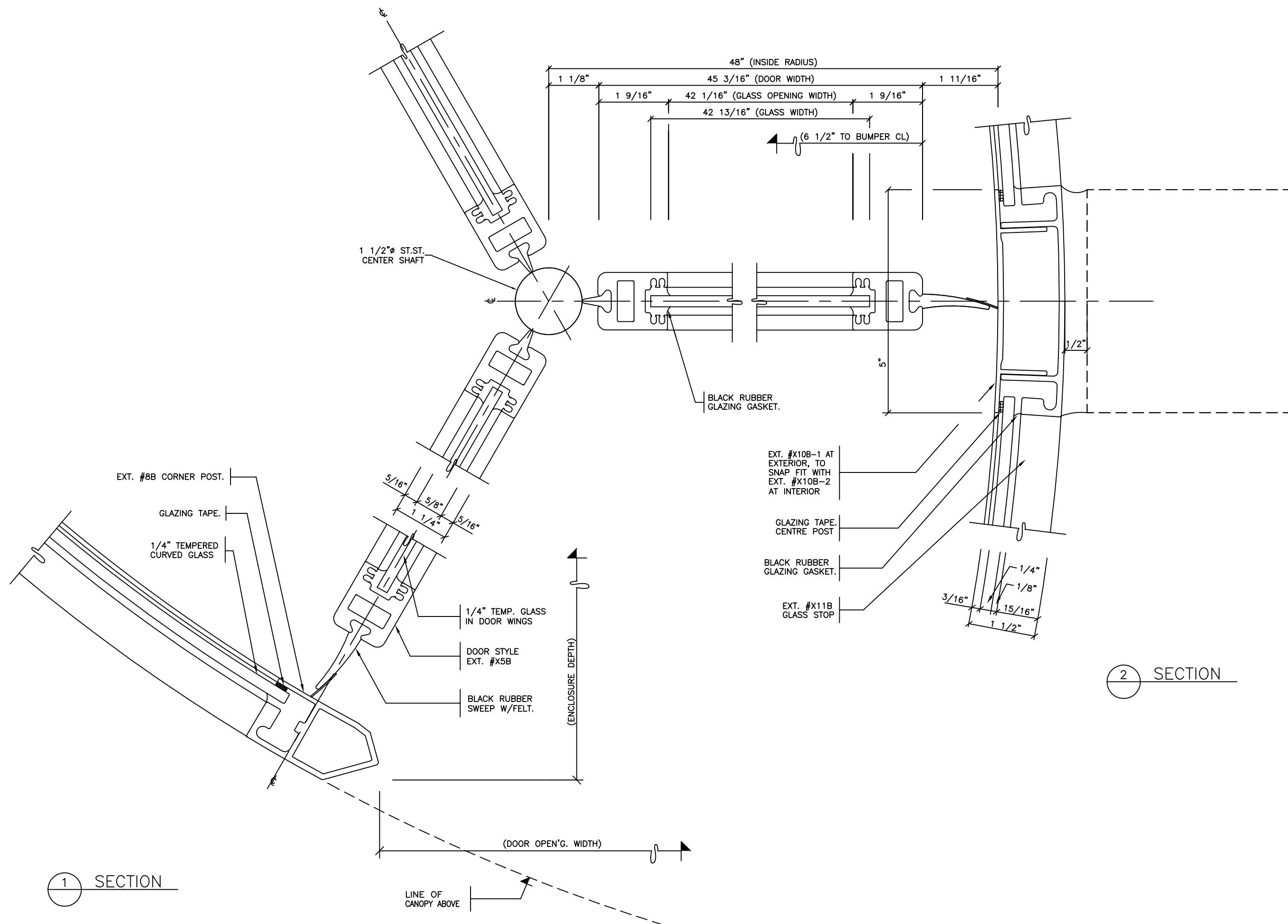
SPECIAL REFERENCE NOTE
Very often the method of manufacturing as shown on these shop drawings are a development of the skills of the company. Any reproduction and or distribution in whole or in part, without expressed or written consent is strictly prohibited.
Stanley Rush

STANLEY RUSH
65 RIVIERA DRIVE MARKHAM, ONT. CANADA, L3R 5J6
Tel. 888-301-5407
905-944-8005
Fax 905-944-8006

3 WING 1500 SERIES REVOLVING DOOR PLAN / ELEV. / DETAILS

BUILDING
LOCATION
ARCH-ENG.
CONTRACTOR

Drawn by	Job No.
Checked by	
Scale	Dwg. No.
Date	
Finish	01



1 SECTION

2 SECTION

Date	REVISIONS	By	Issue
No.	ISSUED	Date	

IMPORTANT NOTICE

Stanley Rush wishes to bring to your attention the following, for which we assume NO RESPONSIBILITY:

- (1) The use of these drawings by other parties is the sole responsibility of that party as to site conditions, measurements, etc.,
- (2) Movement of structures by forces causing misalignment and improper function of our product.
- (3) Results of glass breakage causing bodily harm through improper use or mischief.

SPECIAL REFERENCE NOTE

Very often the method of manufacturing as shown on these shop drawings are a development of the skills of the company. Any reproduction and or distribution in whole or in part, without expressed or written consent is strictly prohibited.

Stanley Rush

STANLEY RUSH

65 RIVIERA DRIVE MARKHAM, ONT. CANADA, L3R 5J6

Tel. 888-301-5407
905-944-8005
Fax 905-944-8006

3 WING 1500 SERIES REVOLVING DOOR DETAILS

BUILDING	
LOCATION	
ARCH-ENG.	
CONTRACTOR	
Drawn by	Job No.
Checked by	
Scale	
Date	Dwg. No.
Finish	02

Date	REVISIONS	By	Issue
No.	ISSUED	Date	

IMPORTANT NOTICE

- Stanley Rush wishes to bring to your attention the following, for which we assume NO RESPONSIBILITY:
- (1) The use of these drawings by other parties is the sole responsibility of that party as to site conditions, measurements, etc..
 - (2) Movement of structures by forces causing misalignment and improper function of our product.
 - (3) Results of glass breakage causing bodily harm through improper use or mischief.

SPECIAL REFERENCE NOTE

Very often the method of manufacturing as shown on these shop drawings are a development of the skills of the company. Any reproduction and or distribution in whole or in part, without expressed or written consent is strictly prohibited.

Stanley Rush

STANLEY RUSH

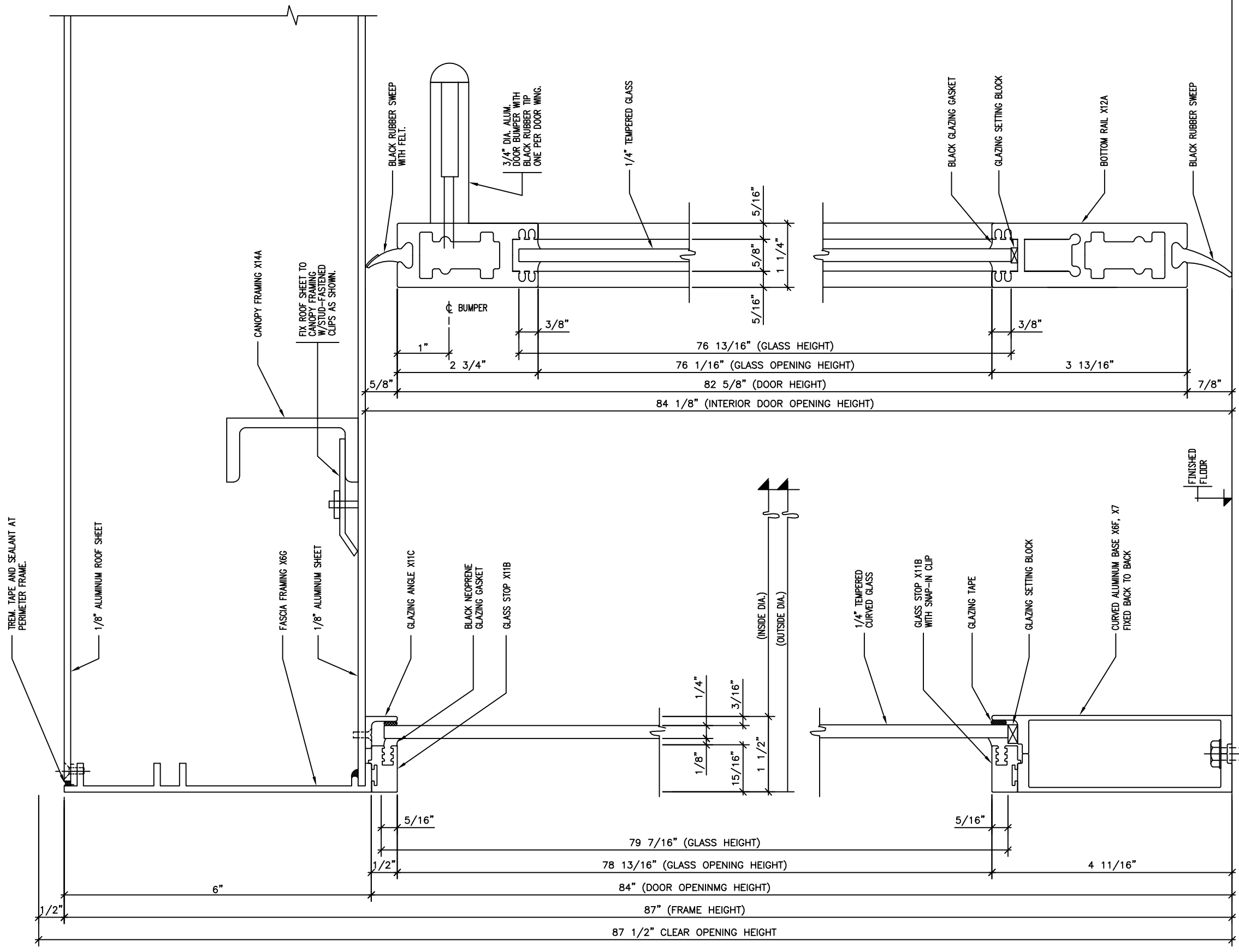
65 RIVIERA DRIVE Tel. 888-301-5407
MARKHAM, ONT. 905-944-8005
CANADA, L3R 5J6 Fax 905-944-8006

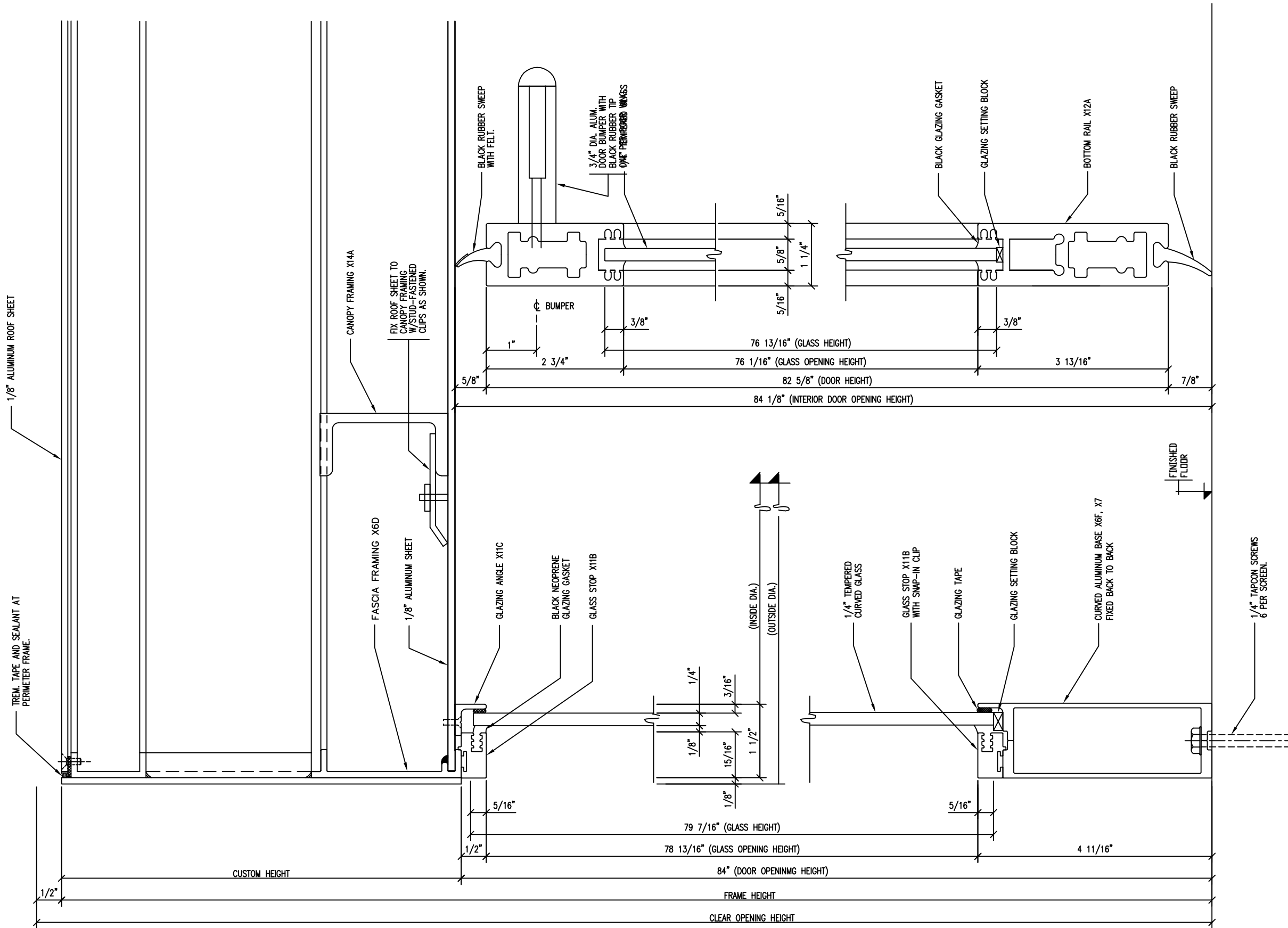
**3 WING 1500 SERIES
REVOLVING DOOR
SECTION / DETAILS**

BUILDING	
LOCATION	
ARCH-ENG.	
CONTRACTOR	
Drawn by	Job No.
Checked by	
Scale	
Date	Dwg. No.
Finish	03

SECTION 4

SECTION 3





4 SECTION

3 SECTION

Date	REVISIONS	By	Issue
No.	ISSUED	Date	

IMPORTANT NOTICE
 Stanley Rush wishes to bring to your attention the following, for which we assume NO RESPONSIBILITY:

- (1) The use of these drawings by other parties is the sole responsibility of that party as to site conditions, measurements, etc.,
- (2) Movement of structures by forces causing misalignment and improper function of our product.
- (3) Results of glass breakage causing bodily harm through improper use or mischief.

SPECIAL REFERENCE NOTE
 Very often the method of manufacturing as shown on these shop drawings are a development of the skills of the company. Any reproduction and or distribution in whole or in part, without expressed or written consent is strictly prohibited.
 Stanley Rush

STANLEY RUSH
 65 RIVIERA DRIVE MARKHAM, ONT. CANADA, L3R 5J6
 Tel. 888-301-5407
 905-944-8005
 Fax 905-944-8006

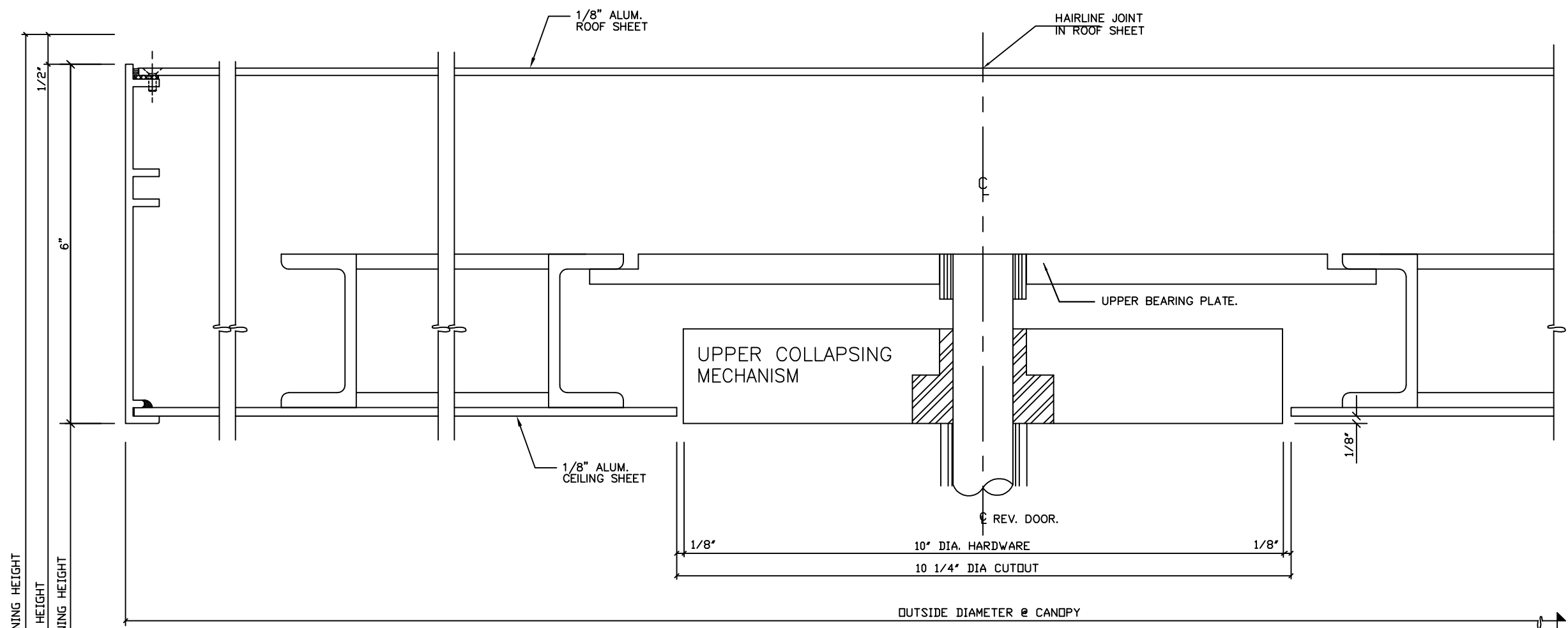
3 WING 1500 SERIES REVOLVING DOOR SECTION / DETAILS

BUILDING	
LOCATION	
ARCH-ENG.	
CONTRACTOR	
Drawn by	Job No.
Checked by	Dwg. No. 03
Scale	
Date	
Finish	

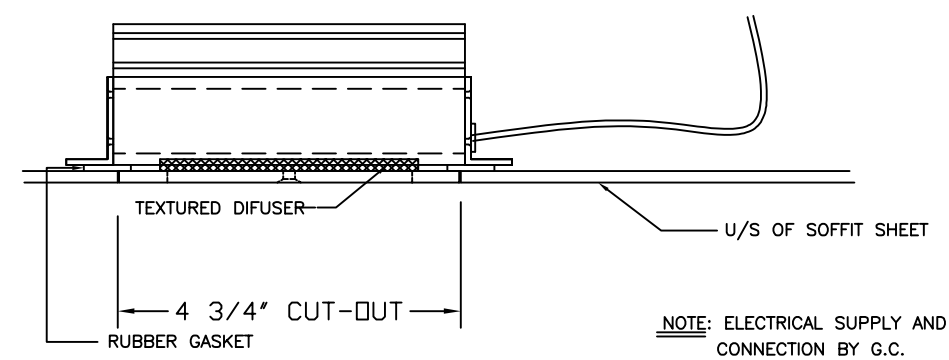
EXTERIOR

INTERIOR

NOTE: ABSOLUTELY NO LOAD IS TO BE IMPOSED ON STANLEY/ RUSH CANOPY.



CLEAR OPENING HEIGHT
FRAME HEIGHT
DOOR OPENING HEIGHT



NOTE: ELECTRICAL SUPPLY AND CONNECTION BY G.C.

TYPICAL SECTION THROUGH CANOPY AT CEILING FIXTURE
(OPTIONAL LED CEILING LIGHTS)

5 SECTION

Date	REVISIONS	By	Issue

IMPORTANT NOTICE

Stanley Rush wishes to bring to your attention the following, for which we assume NO RESPONSIBILITY:

- (1) The use of these drawings by other parties is the sole responsibility of that party as to site conditions, measurements, etc..
- (2) Movement of structures by forces causing misalignment and improper function of our product.
- (3) Results of glass breakage causing bodily harm through improper use or mischief.

SPECIAL REFERENCE NOTE

Very often the method of manufacturing as shown on these shop drawings are a development of the skills of the company. Any reproduction and or distribution in whole or in part, without expressed or written consent is strictly prohibited.

Stanley Rush

STANLEY RUSH

65 RIVIERA DRIVE
MARKHAM, ONT.
CANADA, L3R 5J6

Tel. 888-301-5407
905-944-8005
Fax 905-944-8006

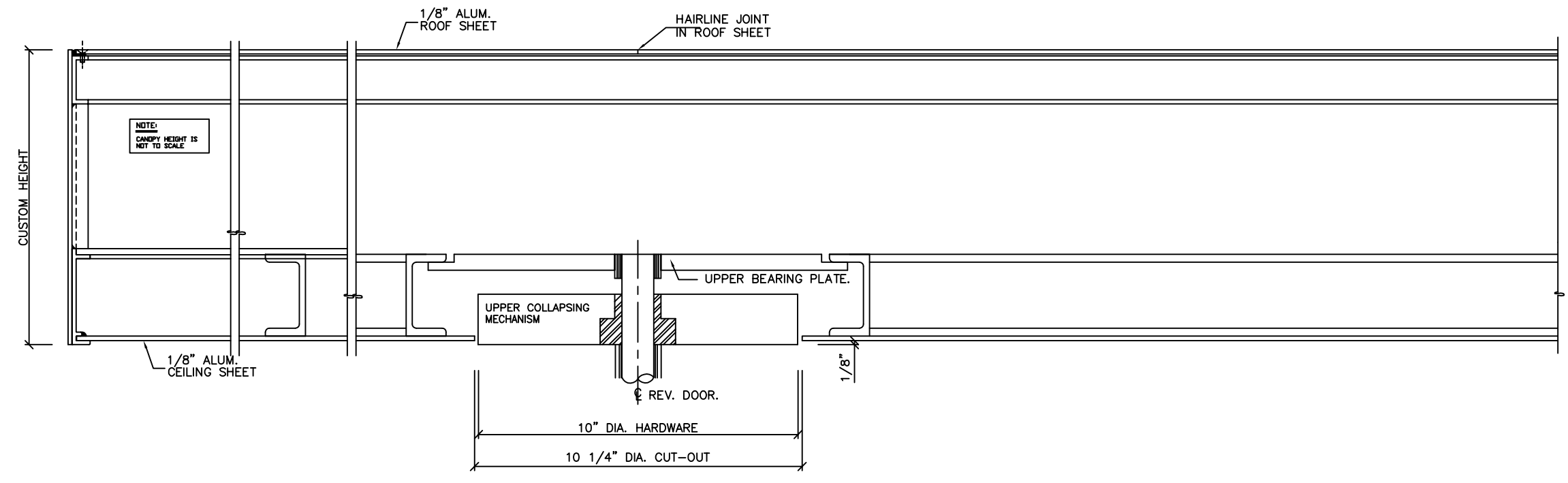
3 WING 1500 SERIES REVOLVING DOOR CANOPY / SECTION

BUILDING	
LOCATION	
ARCH-ENG.	
CONTRACTOR	
Drawn by	Job No.
Checked by	
Scale	Dwg. No.
Date	
Finish	04

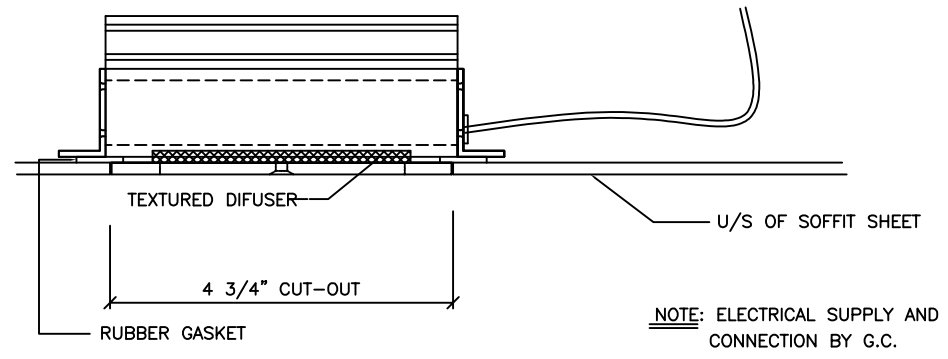
EXTERIOR

INTERIOR

NOTE: ABSOLUTELY NO LOAD IS TO BE IMPOSED ON STANLEY / RUSH CANOPY.



5 SECTION



TYPICAL SECTION THROUGH CANOPY AT CEILING FIXTURE
(OPTIONAL LED CEILING LIGHTS)

Date	REVISIONS	By	Issue

IMPORTANT NOTICE

Stanley Rush wishes to bring to your attention the following, for which we assume NO RESPONSIBILITY:

- (1) The use of these drawings by other parties is the sole responsibility of that party as to site conditions, measurements, etc.,
- (2) Movement of structures by forces causing mis-alignment and improper function of our product.
- (3) Results of glass breakage causing bodily harm through improper use or mischief.

SPECIAL REFERENCE NOTE

Very often the method of manufacturing as shown on these shop drawings are a development of the skills of the company. Any reproduction and or distribution in whole or in part, without expressed or written consent is strictly prohibited.

Stanley Rush

STANLEY RUSH

65 RIVERA DRIVE Tel. 888-301-5407
 MARKHAM, ONT. 905-944-8005
 CANADA, L3R 5J6 Fax 905-944-8006

3 WING 1500 SERIES REVOLVING DOOR SECTION / DETAILS

BUILDING	
LOCATION	
ARCH-ENG.	
CONTRACTOR	
Drawn by	Job No.
Checked by	
Scale	Dwg. No.
Date	04
Finish	