

1 SECTION

2 SECTION

Date	REVISIONS	By	Issue

No.	ISSUED	Date

IMPORTANT NOTICE

Stanley Rush wishes to bring to your attention the following, for which we assume NO RESPONSIBILITY:

- (1) The use of these drawings by other parties is the sole responsibility of that party as to site conditions, measurements, etc.,
- (2) Movement of structures by forces causing misalignment and improper function of our product.
- (3) Results of glass breakage causing bodily harm through improper use or mischief.

SPECIAL REFERENCE NOTE

Very often the method of manufacturing as shown on these shop drawings are a development of the skills of the company. Any reproduction and or distribution in whole or in part, without expressed or written consent is strictly prohibited.

Stanley Rush

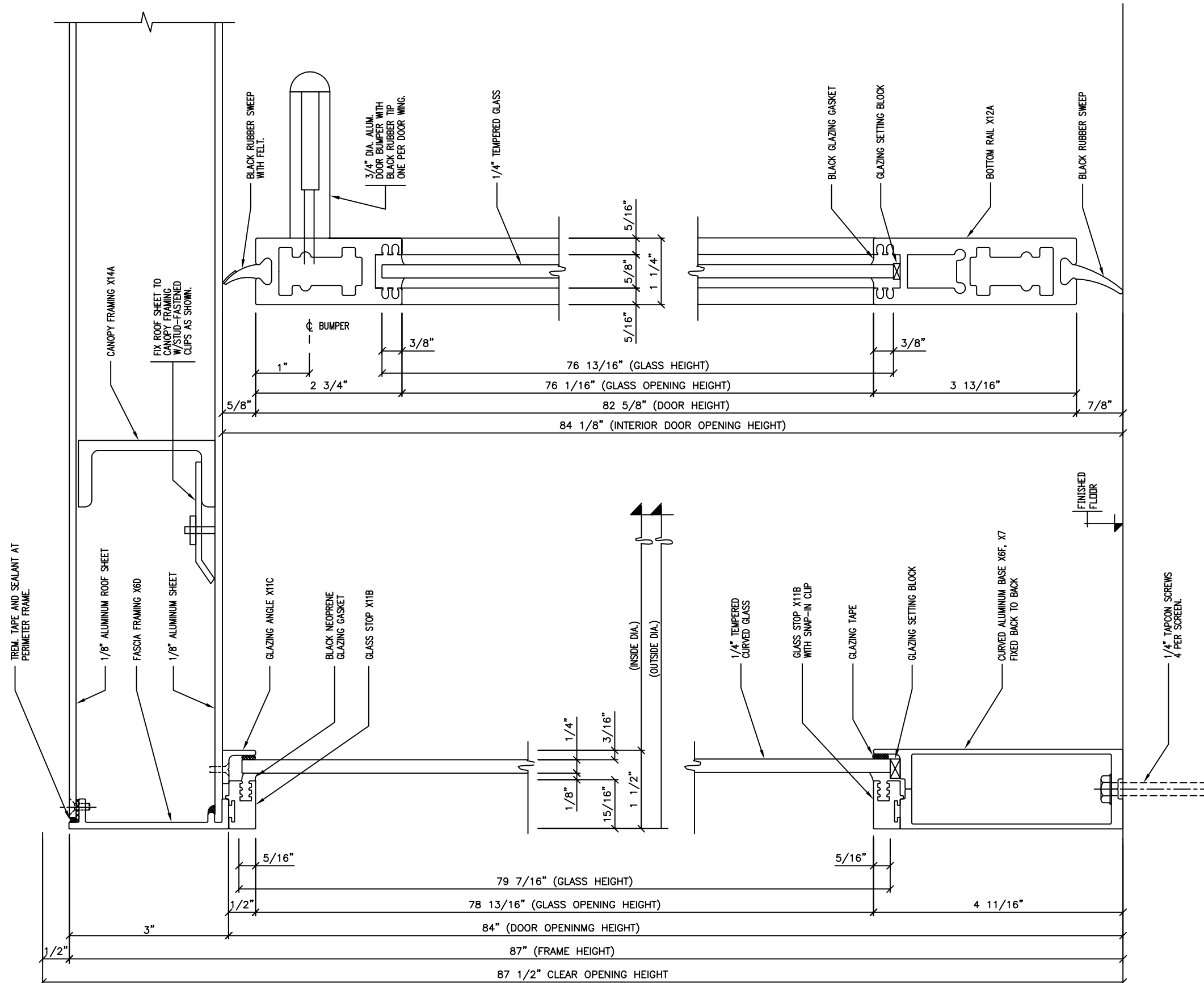
STANLEY RUSH

65 RIVIERA DRIVE MARKHAM, ONT. CANADA, L3R 5J6

Tel. 888-301-5407 905-944-8005 Fax 905-944-8006

4 WING 1500 SERIES REVOLVING DOOR PLAN / DETAILS

BUILDING	
LOCATION	
ARCH-ENG.	
CONTRACTOR	
Drawn by	Job No.
Checked by	Dwg. No.
Scale	02
Date	
Finish	



SECTION 4

SECTION 3

Date	REVISIONS	By	Issue

No.	ISSUED	Date

IMPORTANT NOTICE
Stanley Rush wishes to bring to your attention the following, for which we assume NO RESPONSIBILITY:

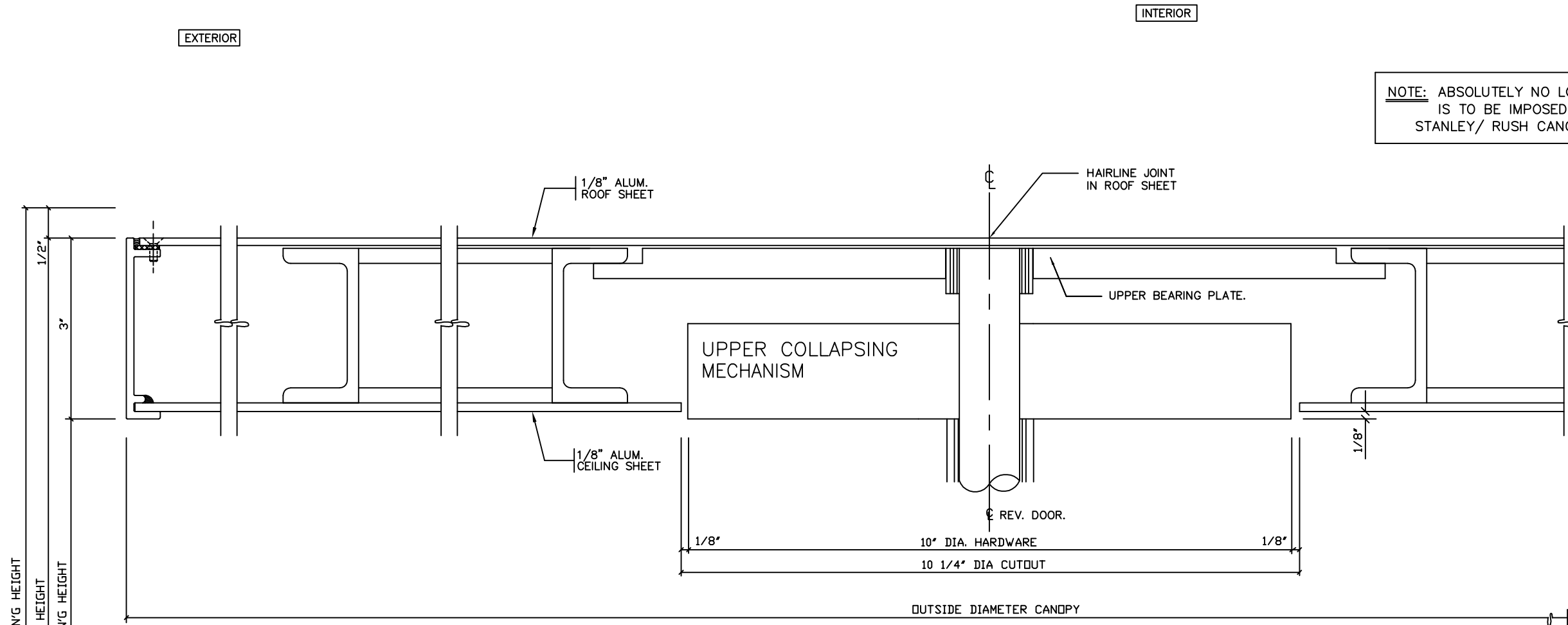
- (1) The use of these drawings by other parties is the sole responsibility of that party as to site conditions, measurements, etc.,
- (2) Movement of structures by forces causing mis-alignment and improper function of our product.
- (3) Results of glass breakage causing bodily harm through improper use or mischief.

SPECIAL REFERENCE NOTE
Very often the method of manufacturing as shown on these shop drawings are a development of the skills of the company. Any reproduction and or distribution in whole or in part, without expressed or written consent is strictly prohibited.
Stanley Rush

STANLEY RUSH
65 RIVIERA DRIVE MARKHAM, ONT. CANADA, L3R 5J6
Tel. 888-301-5407
905-944-8005
Fax 905-944-8006

4 WING 1500 SERIES REVOLVING DOOR SECTION / DETAILS

BUILDING	
LOCATION	
ARCH-ENG.	
CONTRACTOR	
Drawn by	Job No.
Checked by	Dwg. No.
Scale	
Date	
Finish	03



NOTE: ABSOLUTELY NO LOAD IS TO BE IMPOSED ON STANLEY/ RUSH CANOPY.

Date	REVISIONS	By	Issue

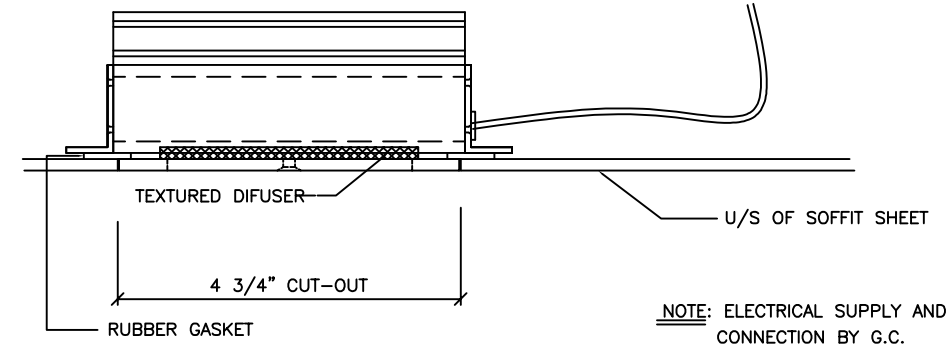
No.	ISSUED	Date

IMPORTANT NOTICE
Stanley Rush wishes to bring to your attention the following, for which we assume NO RESPONSIBILITY:

- (1) The use of these drawings by other parties is the sole responsibility of that party as to site conditions, measurements, etc..
- (2) Movement of structures by forces causing mis-alignment and improper function of our product.
- (3) Results of glass breakage causing bodily harm through improper use or mischief.

SPECIAL REFERENCE NOTE
Very often the method of manufacturing as shown on these shop drawings are a development of the skills of the company. Any reproduction and or distribution in whole or in part, without expressed or written consent is strictly prohibited.
Stanley Rush

CLEAR OPNG HEIGHT
FRAME HEIGHT
DOOR OPNG HEIGHT



NOTE: ELECTRICAL SUPPLY AND CONNECTION BY G.C.

5 SECTION

TYPICAL SECTION THROUGH CANOPY AT CEILING FIXTURE
(OPTIONAL LED CEILING LIGHTS)
SCALE: NONE

STANLEY RUSH
65 RIVIERA DRIVE Tel. 888-301-5407
MARKHAM, ONT. 905-944-8005
CANADA, L3R 5J6 Fax 905-944-8006

4 WING 1500 SERIES
REVOLVING DOOR
CANOPY / SECTION

BUILDING	
LOCATION	
ARCH-ENG.	
CONTRACTOR	
Drawn by	Job No.
Checked by	Dwg. No.
Scale	
Date	
Finish	04