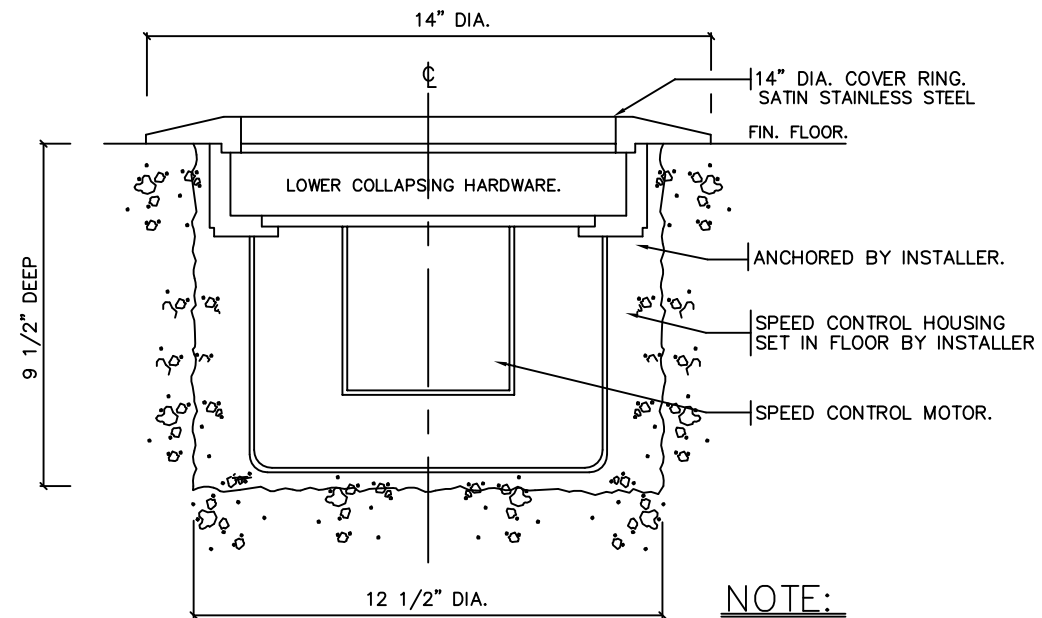


**REVOLVING DOOR ENTRANCE ELEVATION**  
**1 REQUIRED**

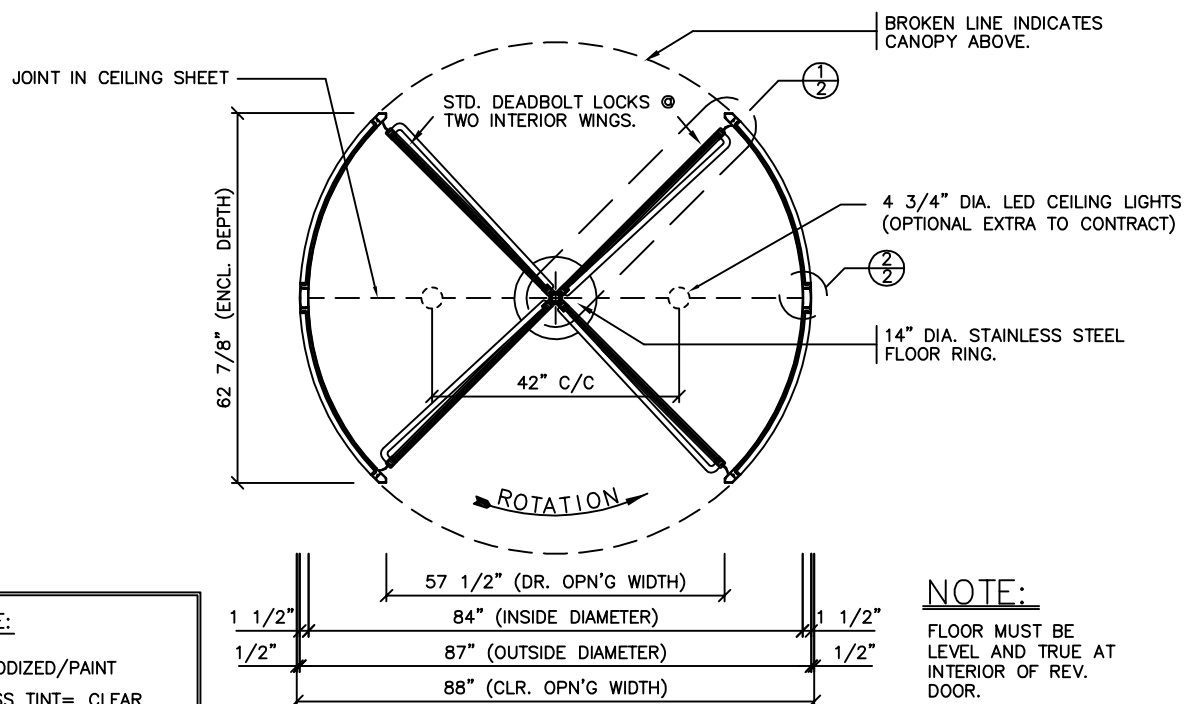


**DETAIL - 4 WING SPEED CONTROL**  
SCALE: NONE

Date	REVISIONS	By	Issue
No.	ISSUED	Date	

**IMPORTANT NOTICE**  
 Stanley Rush wishes to bring to your attention the following, for which we assume NO RESPONSIBILITY:  
 (1) The use of these drawings by other parties is the sole responsibility of that party as to site conditions, measurements, etc.,  
 (2) Movement of structures by forces causing misalignment and improper function of our product.  
 (3) Results of glass breakage causing bodily harm through improper use or mischief.

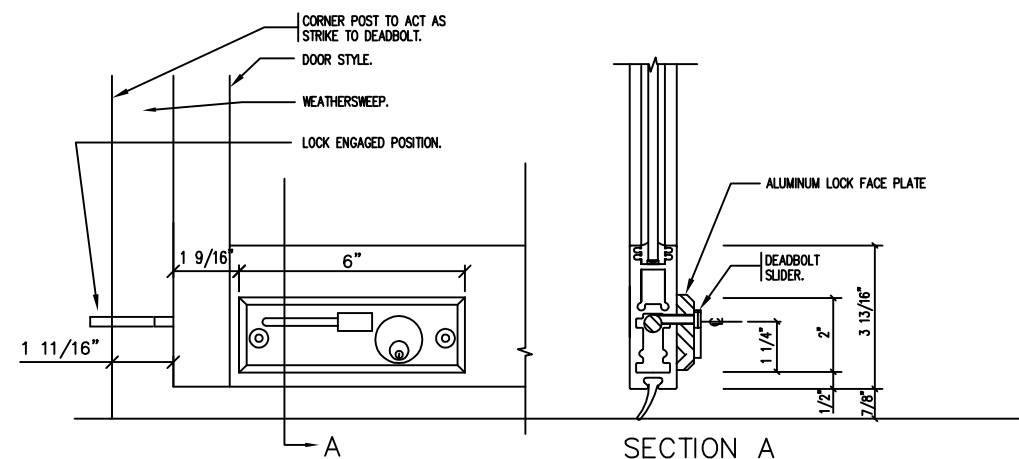
SPECIAL REFERENCE NOTE  
 Very often the method of manufacturing as shown on these shop drawings are a development of the skills of the company. Any reproduction and or distribution in whole or in part, without expressed or written consent is strictly prohibited.  
 Stanley Rush



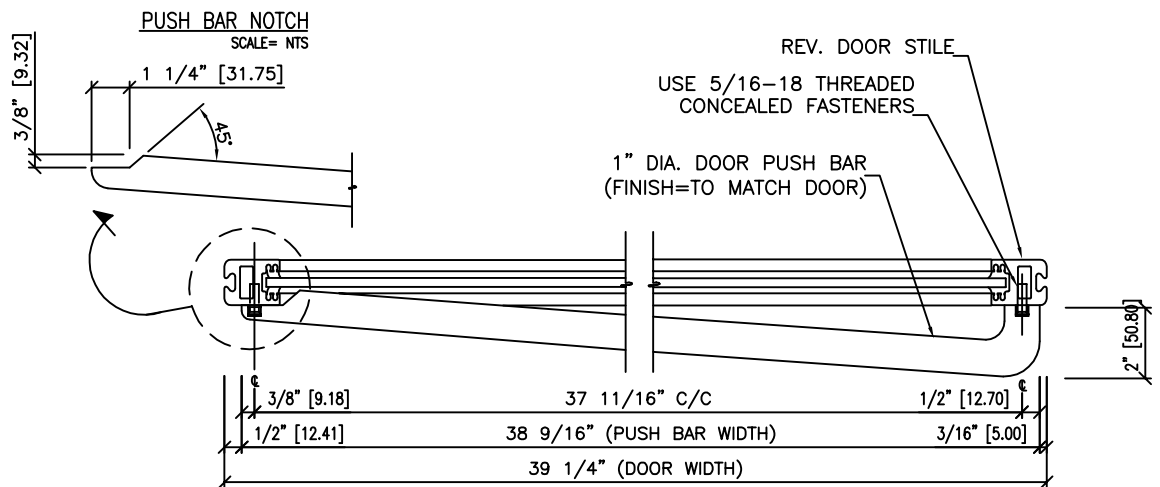
**REVOLVING DOOR ENTRANCE PLAN**

**SHOP NOTE:**  
 FINISH= ANODIZED/PAINT  
 CURVED GLASS TINT= CLEAR  
 DR. WG. GLASS TINT= CLEAR  
 FLOOR MANUAL SPEED CONTROL

**NOTE:**  
 FLOOR MUST BE LEVEL AND TRUE AT INTERIOR OF REV. DOOR.  
**NOTE:**  
 GENERAL CONTRACTOR TO PROVIDE 110V 15AMP. POWER SUPPLY TO REV. DOOR CEILING LIGHTS INCLUDING ALL WIRING AND ACCESSORIES.



**STD. DEADBOLT DETAILS**  
SCALE: NONE



**1" DIA. PUSH BAR DETAIL**  
SCALE: NTS

**STANLEY RUSH**  
 65 RIVIERA DRIVE MARKHAM, ONT. CANADA, L3R 5J6  
 Tel. 888-301-5407 905-944-8005 Fax 905-944-8006

**4 WING 1500 SERIES REVOLVING DOOR PLAN / ELEV. / DETAILS**

<b>BUILDING</b>	
<b>LOCATION</b>	
<b>ARCH-ENG.</b>	
<b>CONTRACTOR</b>	
Drawn by	Job No.
Checked by	
Scale	Dwg. No.
Date	
Finish	01





