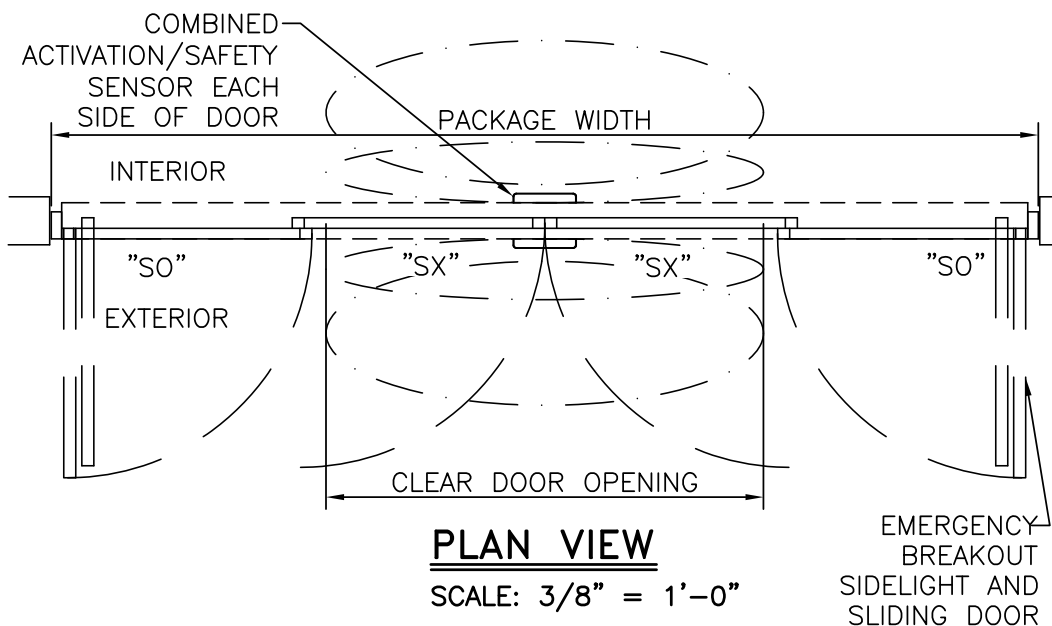
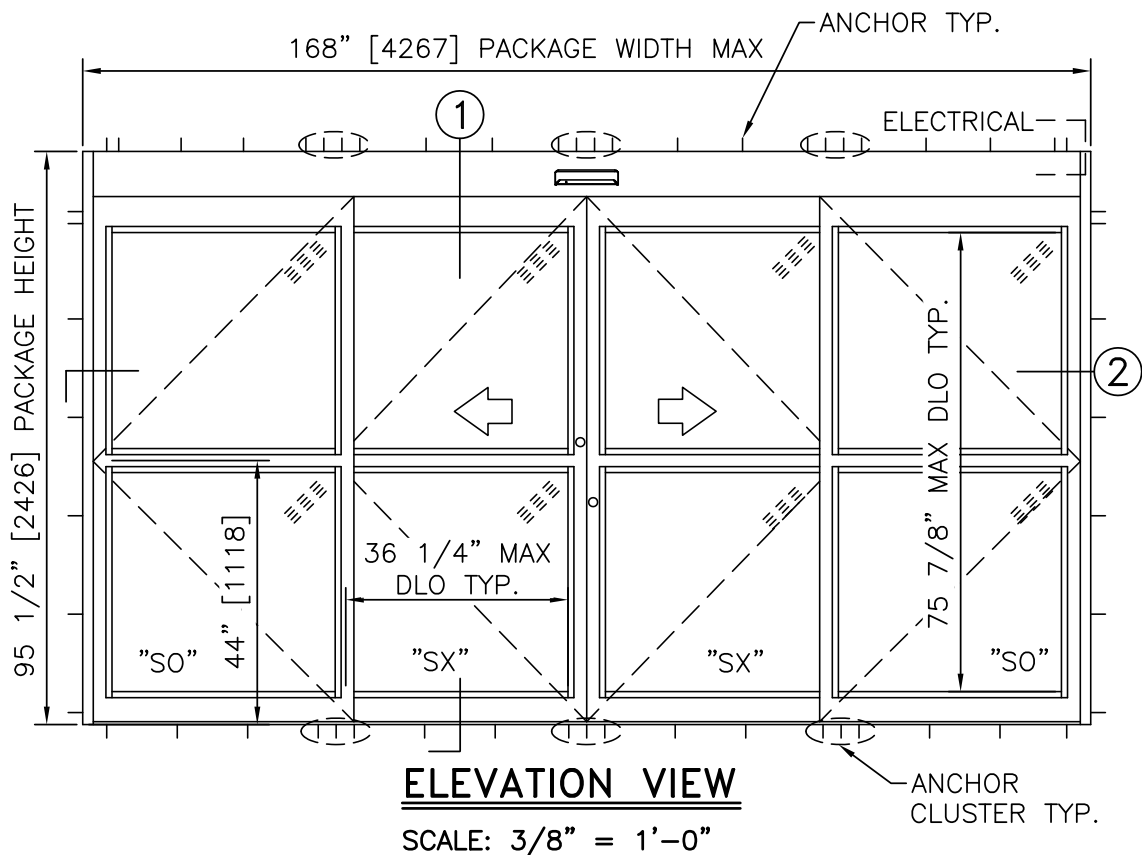


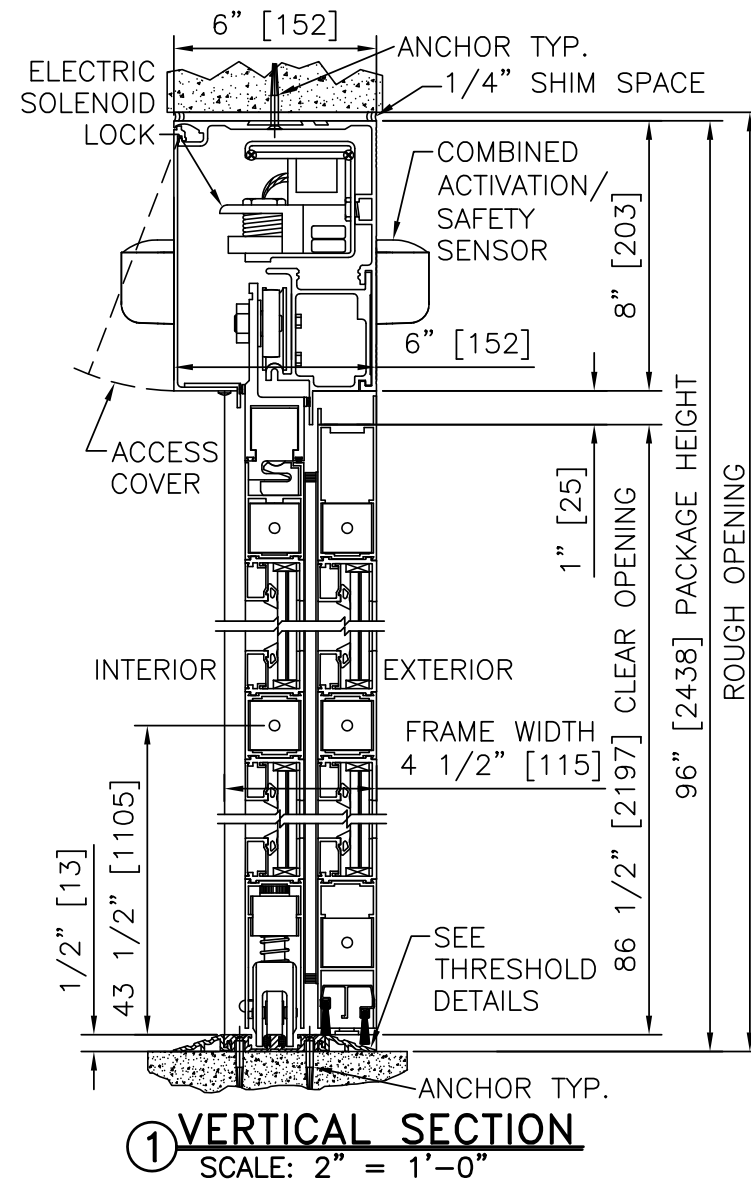
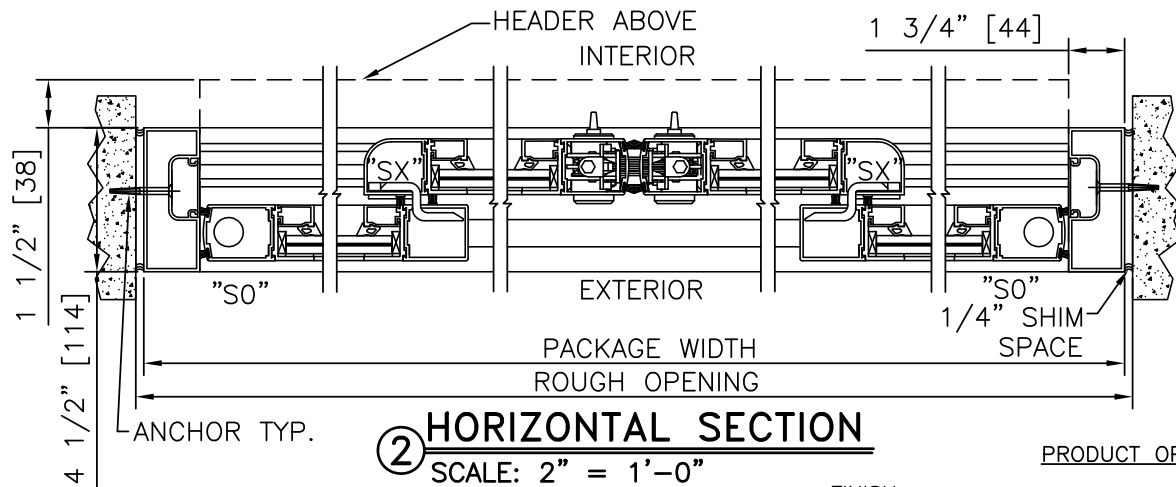
**STANLEY**  
Access Technologies

**DURA-STORM**  
**3000**  
**IMPACT**  
**SERIES**

BI-PARTING	
PROJECT INFORMATION	
PROJECT NAME:	
LOCATION:	
DOOR NUMBER(S):	
DATE:	SHEET: OF



- NOTES**
- ELECTRICAL REQUIREMENTS: 120 VAC, 5 AMP MIN TO POWER OPERATOR BY ELECTRICAL CONTRACTOR.
  - ROUGH OPENING SHALL PROVIDE 1/4"[6] SHIM SPACE ON SIDES AND TOP OF PACKAGE.
  - ACTIVATION AND SAFETY ZONES ARE FOR REFERENCE ONLY; SEE ANSI/BHMA A156.10 FOR DETAILED REQUIREMENTS.
  - 5-POINT LOCKING STANDARD. ELECTRIC SOLENOID LOCK MAY BE ADDED FOR ACCESS CONTROL.
  - ENTRANCE TO RECEIVE APPROVED 9/16"[14] LAMINATED GLAZING.
  - STANDARD STILES, BOTTOM RAILS AND MUNTINS SHOWN; MEDIUM STILES, BOTTOM RAILS TO 10"[254], AND 4 1/4"[108] MUNTINS AVAILABLE.
  - PRODUCT SHALL BE MANUFACTURED AND INSTALLED IN ACCORDANCE WITH PRODUCT APPROVALS; SEE MIAMI-DADE COUNTY NOTICE OF ACCEPTANCE OR FLORIDA BUILDING CODE APPROVAL
  - SEE SPECIFICATIONS FOR ADDITIONAL INFORMATION.



- PRODUCT OPTIONS**
- FINISH**
- ANODIZED CLEAR CL2
  - ANODIZED DK BRONZE
  - CUSTOM
- LOCKING**
- 5-POINT
  - 4-POINT W/ PANIC RELEASE
  - ELECTRIC SOLENOID LOCK
- STILES**
- NARROW  MEDIUM
- MUNTINS**
- 2"  4 1/4"
  - NONE
- JAMBS**
- 4 1/2"  6"
- BOTTOM RAILS**
- STANDARD 4"
  - OPTIONAL 6" 8" 10"
- THRESHOLDS**
- SQ/BVL (EXT)  SQ/BVL (INT)
  - DBL BVL  RECESSED
- ACTIVATION/SAFETY**
- 2 COMBINED ACTIVATION/SAFETY SENSORS
- OTHER OPTIONS**
- ROTARY CTRL SWITCH  KEYED
  - UNINTERRUPTIBLE POWER SUPPLY
  - FLY OPEN BOX
  - WIND DAMPERS
  - ALARM CONTACTS

MAX. PACKAGE DIMENSIONS (NARROW STILE)			
PACKAGE WIDTH	NOMINAL CLEAR DOOR OPENING	DOOR PANEL NOMINAL WIDTH	EMERGENCY BREAKOUT NOM. WIDTH
168"	70.6"	42.7"	153.5"

DESIGN RATINGS	
MISSILE IMPACT RATING	
<input checked="" type="checkbox"/>	LARGE AND SMALL MISSILE IMPACT
DESIGN PRESSURE RATING (PSF[Pa])	
POSITIVE	75 PSF [3591 Pa]
NEGATIVE	75 PSF [3591 Pa]

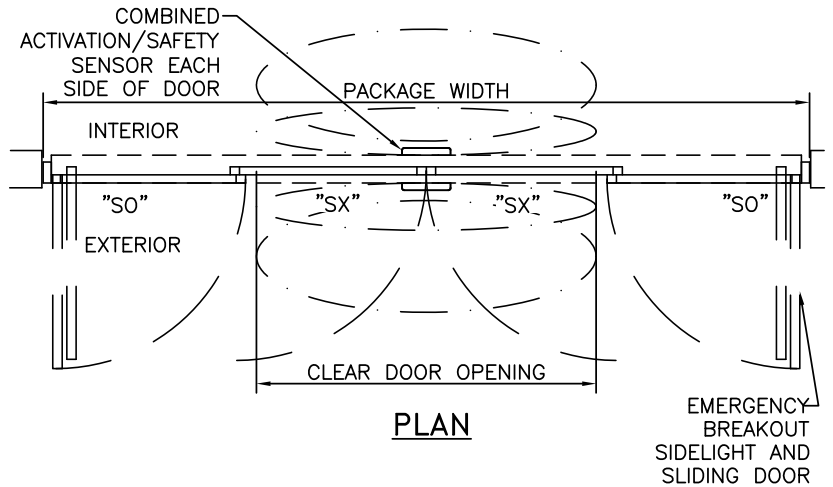
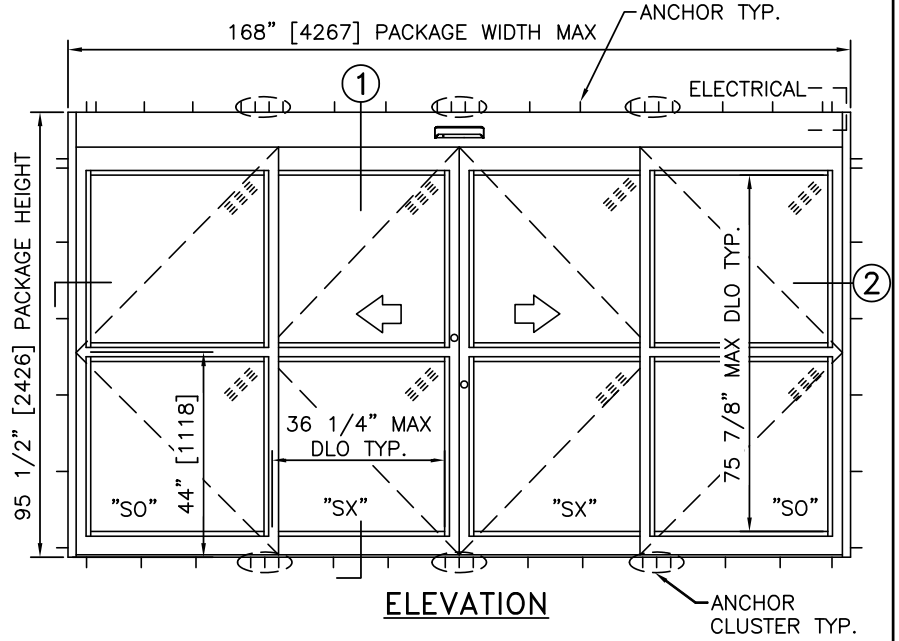
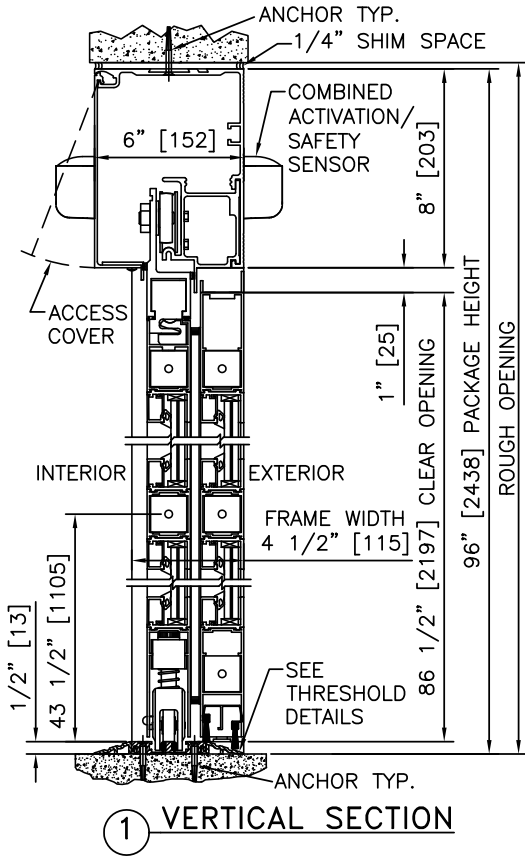
**BI-PART FORMULAS - NARROW STILE**  
 PACKAGE WIDTH = 2 X CLEAR DOOR OPENING + 26.8"  
 CLEAR DOOR OPENING = 1/2 PACKAGE WIDTH - 13.4"  
 EMERGENCY BREAKOUT WIDTH = PACKAGE WIDTH - 14.5"  
 DOOR PANEL WIDTH = 1/4 PACKAGE WIDTH + 0.7"

**BI-PART FORMULAS - MEDIUM STILE**  
 PACKAGE WIDTH = 2 X CLEAR DOOR OPENING + 35.6"  
 CLEAR DOOR OPENING = 1/2 PACKAGE WIDTH - 17.8"  
 EMERGENCY BREAKOUT WIDTH = PACKAGE WIDTH - 17.5"  
 DOOR PANEL WIDTH = 1/4 PACKAGE WIDTH + 1.4"

**BI-PARTING**

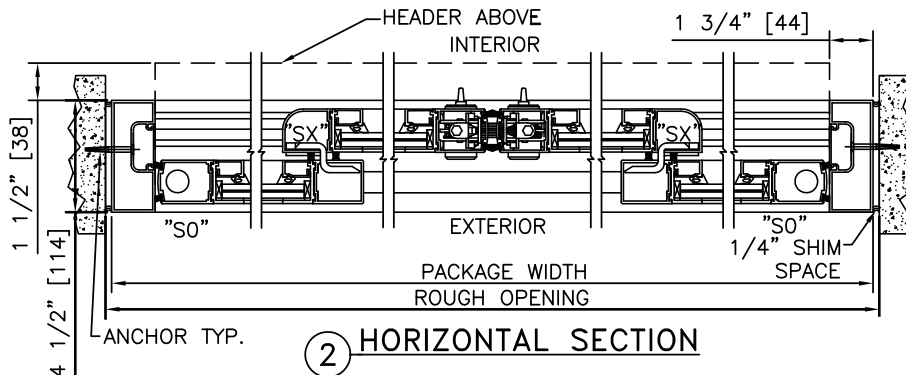
**DURA-STORM**  
**3000**  
**IMPACT**  
**SERIES**

**STANLEY**  
Access Technologies



**NOTES**

1. ELECTRICAL REQUIREMENTS: 120 VAC, 5 AMP MIN TO POWER OPERATOR BY ELECTRICAL CONTRACTOR.
2. ROUGH OPENING SHALL PROVIDE 1/4"[6] SHIM SPACE ON SIDES AND TOP OF PACKAGE.
3. ACTIVATION AND SAFETY ZONES ARE FOR REFERENCE ONLY; SEE ANSI/BHMA A156.10 FOR DETAILED REQUIREMENTS.
4. PRODUCT SHALL BE MANUFACTURED AND INSTALLED IN ACCORDANCE WITH PRODUCT APPROVALS; SEE MIAMI-DADE COUNTY NOTICE OF ACCEPTANCE OR FLORIDA BUILDING CODE APPROVAL
5. SEE SPECIFICATIONS FOR ADDITIONAL INFORMATION.



MAX. PACKAGE DIMENSIONS (NARROW STILE)			
PACKAGE WIDTH	NOMINAL CLEAR DOOR OPENING	DOOR PANEL NOMINAL WIDTH	EMERGENCY BREAKOUT NOM. WIDTH
168"	70.6"	42.7"	153.5"
DESIGN RATINGS			
MISSILE IMPACT RATING			
<input checked="" type="checkbox"/> LARGE AND SMALL MISSILE IMPACT			
DESIGN PRESSURE RATING (PSF[Pa])			
POSITIVE	75 PSF [3591 Pa]		
NEGATIVE	75 PSF [3591 Pa]		

**DURA-STORM**  
**3000**  
**IMPACT**  
**SERIES**

BI-PARTING WITH PANIC RELEASE

PROJECT INFORMATION

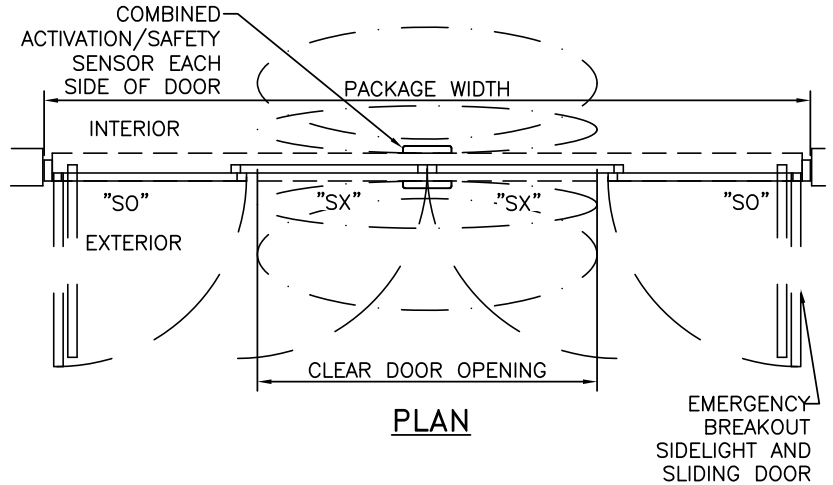
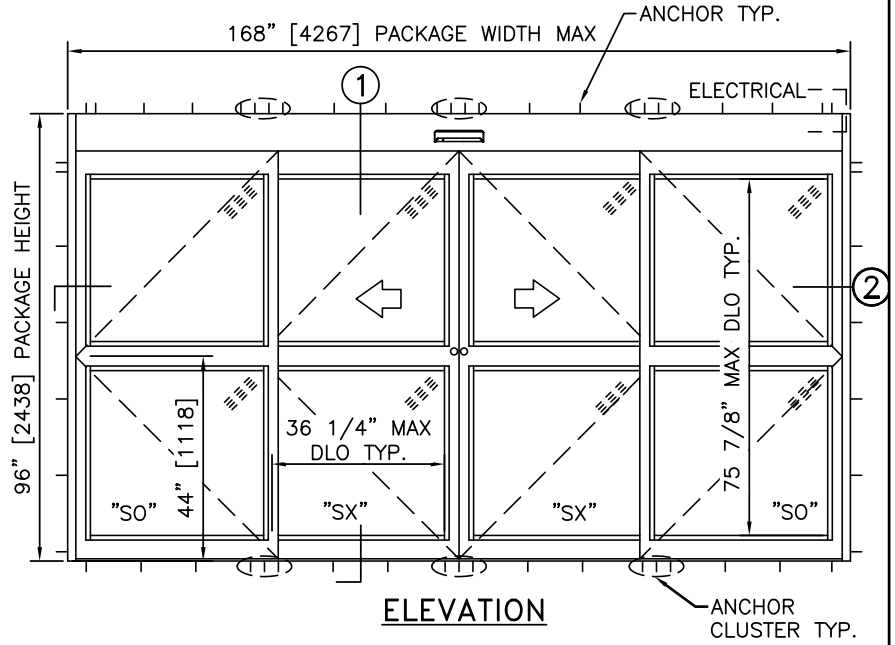
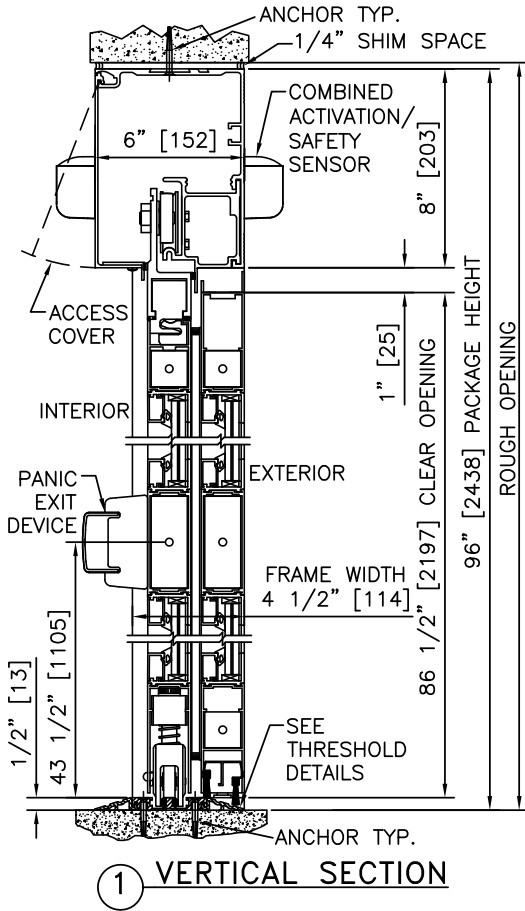
PROJECT NAME:

LOCATION:

DOOR NUMBER(S):

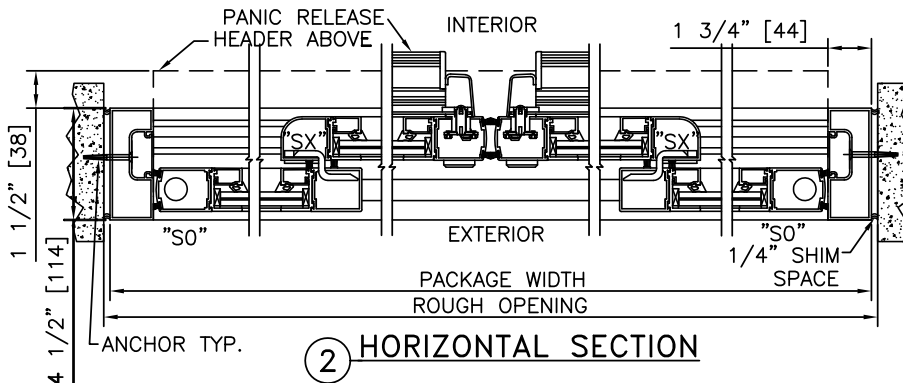
DATE:

SHEET: OF



**NOTES**

1. ELECTRICAL REQUIREMENTS: 120 VAC, 5 AMP MIN TO POWER OPERATOR BY ELECTRICAL CONTRACTOR.
2. ROUGH OPENING SHALL PROVIDE 1/4"[6] SHIM SPACE ON SIDES AND TOP OF PACKAGE.
3. ACTIVATION AND SAFETY ZONES ARE FOR REFERENCE ONLY; SEE ANSI/BHMA A156.10 FOR DETAILED REQUIREMENTS.
4. PRODUCT SHALL BE MANUFACTURED AND INSTALLED IN ACCORDANCE WITH PRODUCT APPROVALS; SEE MIAMI-DADE COUNTY NOTICE OF ACCEPTANCE OR FLORIDA BUILDING CODE APPROVAL
5. SEE SPECIFICATIONS FOR ADDITIONAL INFORMATION.



MAX. PACKAGE DIMENSIONS (NARROW STILE)			
PACKAGE WIDTH	NOMINAL CLEAR DOOR OPENING	DOOR PANEL NOMINAL WIDTH	EMERGENCY BREAKOUT NOM. WIDTH
168"	70.6"	42.7"	153.5"
DESIGN RATINGS			
MISSILE IMPACT RATING			
<input checked="" type="checkbox"/> LARGE AND SMALL MISSILE IMPACT			
DESIGN PRESSURE RATING (PSF[Pa])			
POSITIVE		75 PSF [3591 Pa]	
NEGATIVE		75 PSF [3591 Pa]	

**DURA-STORM**  
**3000**  
**IMPACT**  
**SERIES**

BI-PARTING WITH AUTOMATIC LOCKING

PROJECT INFORMATION

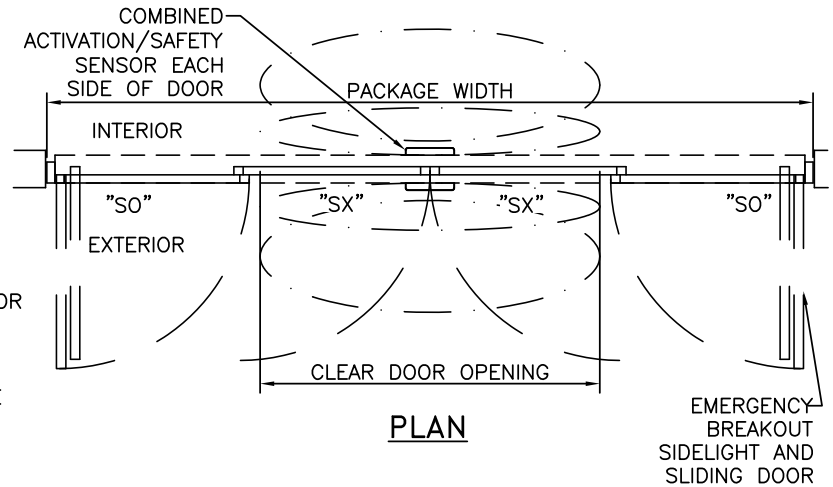
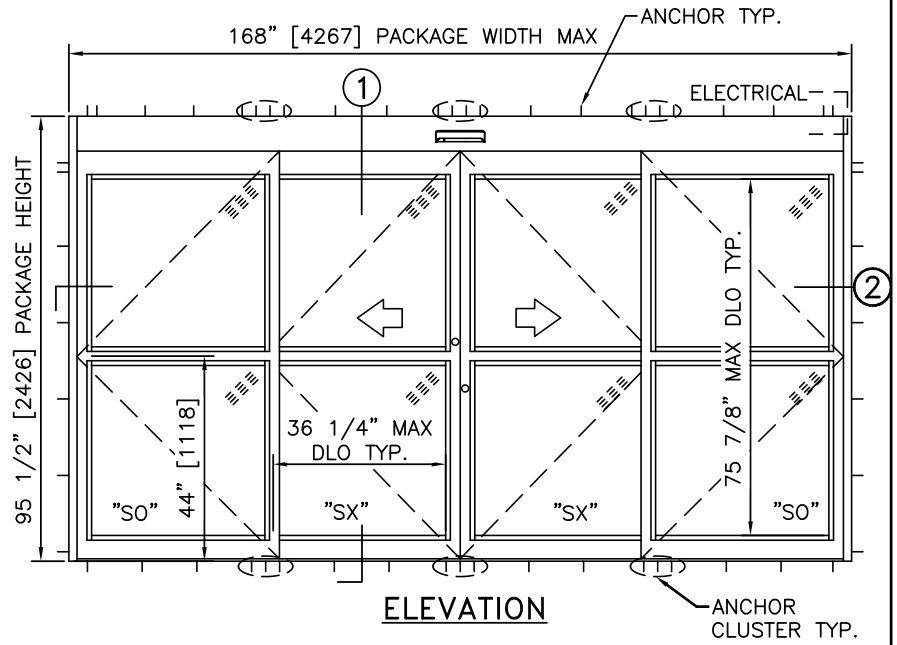
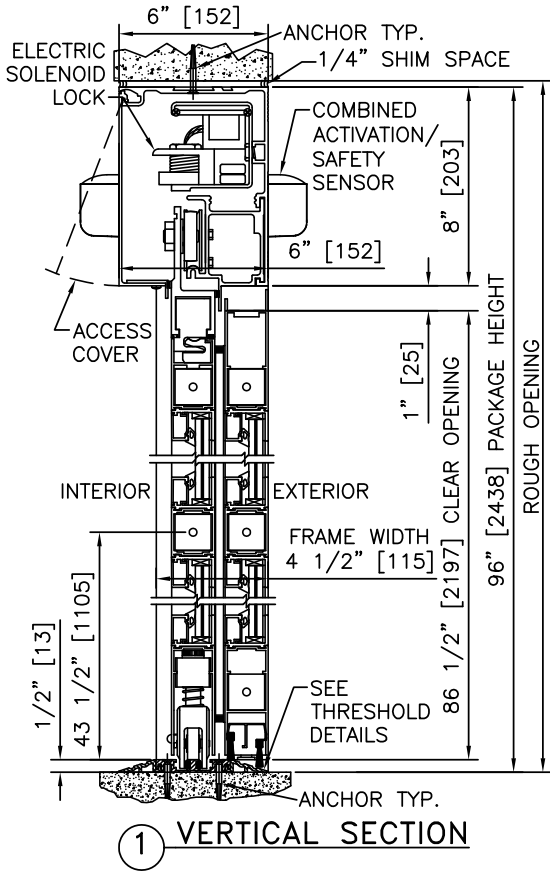
PROJECT NAME:

LOCATION:

DOOR NUMBER(S):

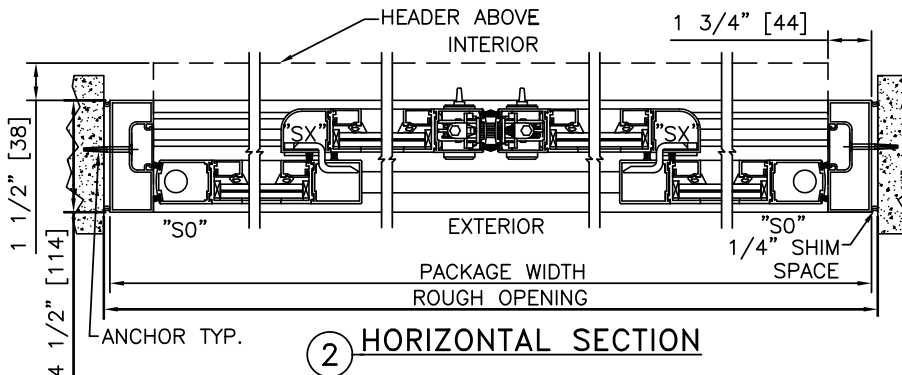
DATE:

SHEET: OF



**NOTES**

1. ELECTRICAL REQUIREMENTS: BY ELECTRICAL CONTRACTOR
  - 1.1. 120 VAC, 5 AMP MIN TO POWER OPERATOR.
  - 1.2. CONTROL CIRCUIT FROM SECURE ACTIVATION TO OPERATOR.
2. ROUGH OPENING SHALL PROVIDE 1/4" [6] SHIM SPACE ON SIDES AND TOP OF PACKAGE.
3. ACTIVATION AND SAFETY ZONES ARE FOR REFERENCE ONLY; SEE ANSI/BHMA A156.10 FOR DETAILED REQUIREMENTS.
4. PRODUCT SHALL BE MANUFACTURED AND INSTALLED IN ACCORDANCE WITH PRODUCT APPROVALS; SEE MIAMI-DADE COUNTY NOTICE OF ACCEPTANCE OR FLORIDA BUILDING CODE APPROVAL
5. SEE SPECIFICATIONS FOR ADDITIONAL INFORMATION.



MAX. PACKAGE DIMENSIONS (NARROW STILE)

PACKAGE WIDTH	NOMINAL CLEAR DOOR OPENING	DOOR PANEL NOMINAL WIDTH	EMERGENCY BREAKOUT NOM. WIDTH
168"	70.6"	42.7"	153.5"

DESIGN RATINGS

MISSILE IMPACT RATING	
<input checked="" type="checkbox"/>	LARGE AND SMALL MISSILE IMPACT
DESIGN PRESSURE RATING (PSF [Pa])	
POSITIVE	75 PSF [3591 Pa]
NEGATIVE	75 PSF [3591 Pa]

**DURA-STORM**  
**3000**  
**IMPACT**  
**SERIES**

BI-PARTING WITH PANIC RELEASE & AUTOMATIC LOCKING

PROJECT INFORMATION

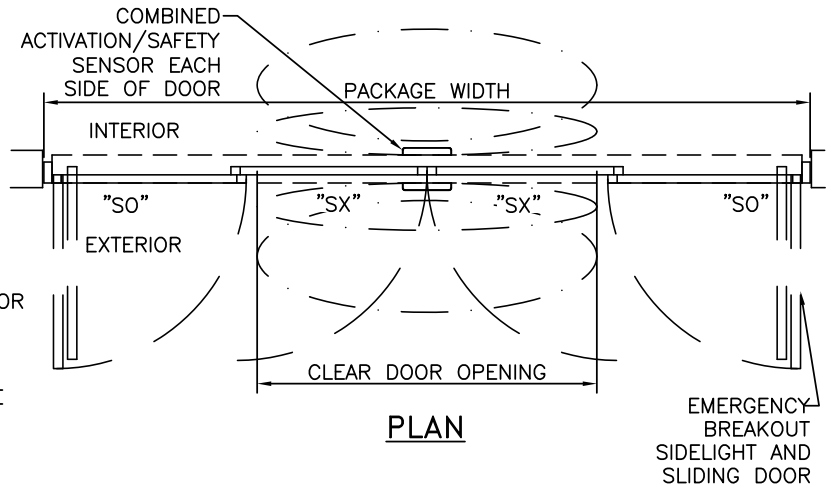
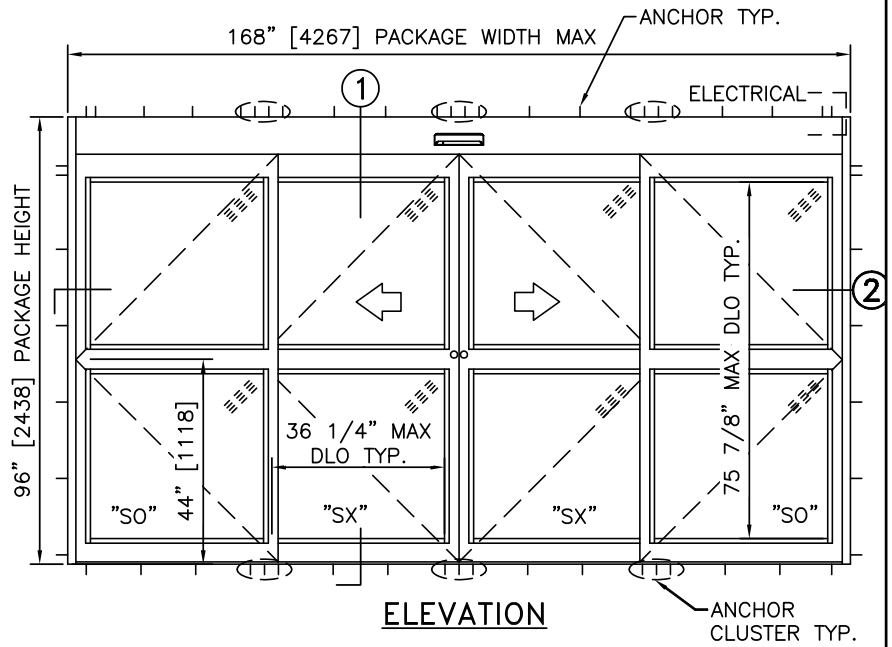
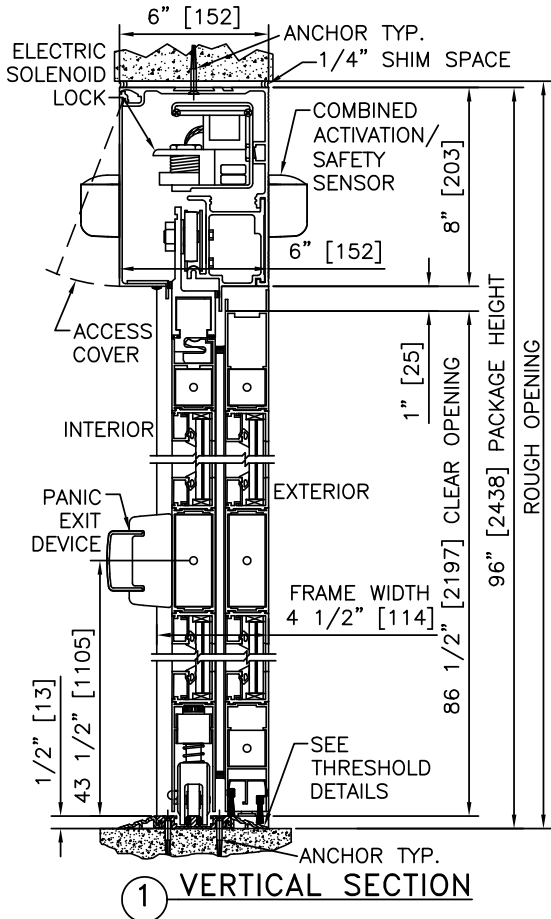
PROJECT NAME:

LOCATION:

DOOR NUMBER(S):

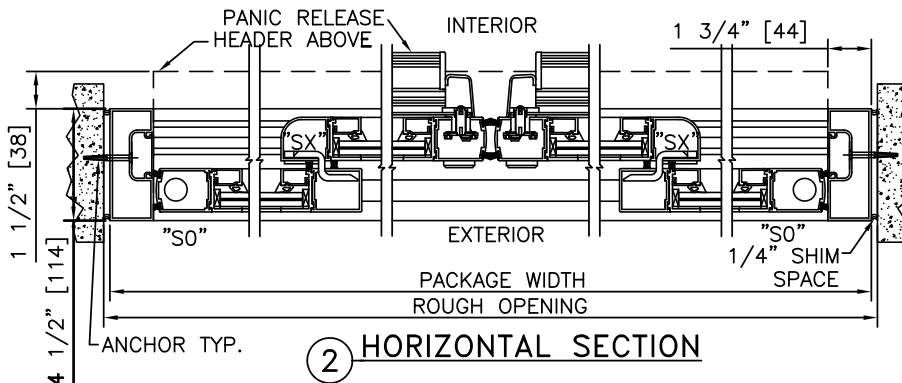
DATE:

SHEET: OF



**NOTES**

1. ELECTRICAL REQUIREMENTS: BY ELECTRICAL CONTRACTOR
  - 1.1. 120 VAC, 5 AMP MIN TO POWER OPERATOR.
  - 1.2. CONTROL CIRCUIT FROM SECURE ACTIVATION TO OPERATOR.
2. ROUGH OPENING SHALL PROVIDE 1/4"[6] SHIM SPACE ON SIDES AND TOP OF PACKAGE.
3. ACTIVATION AND SAFETY ZONES ARE FOR REFERENCE ONLY; SEE ANSI/BHMA A156.10 FOR DETAILED REQUIREMENTS.
4. PRODUCT SHALL BE MANUFACTURED AND INSTALLED IN ACCORDANCE WITH PRODUCT APPROVALS; SEE MIAMI-DADE COUNTY NOTICE OF ACCEPTANCE OR FLORIDA BUILDING CODE APPROVAL
5. SEE SPECIFICATIONS FOR ADDITIONAL INFORMATION.



MAX. PACKAGE DIMENSIONS (NARROW STILE)			
PACKAGE WIDTH	NOMINAL CLEAR DOOR OPENING	DOOR PANEL NOMINAL WIDTH	EMERGENCY BREAKOUT NOM. WIDTH
168"	70.6"	42.7"	153.5"
DESIGN RATINGS			
MISSILE IMPACT RATING			
<input checked="" type="checkbox"/> LARGE AND SMALL MISSILE IMPACT			
DESIGN PRESSURE RATING (PSF[Pa])			
POSITIVE		75 PSF [3591 Pa]	
NEGATIVE		75 PSF [3591 Pa]	