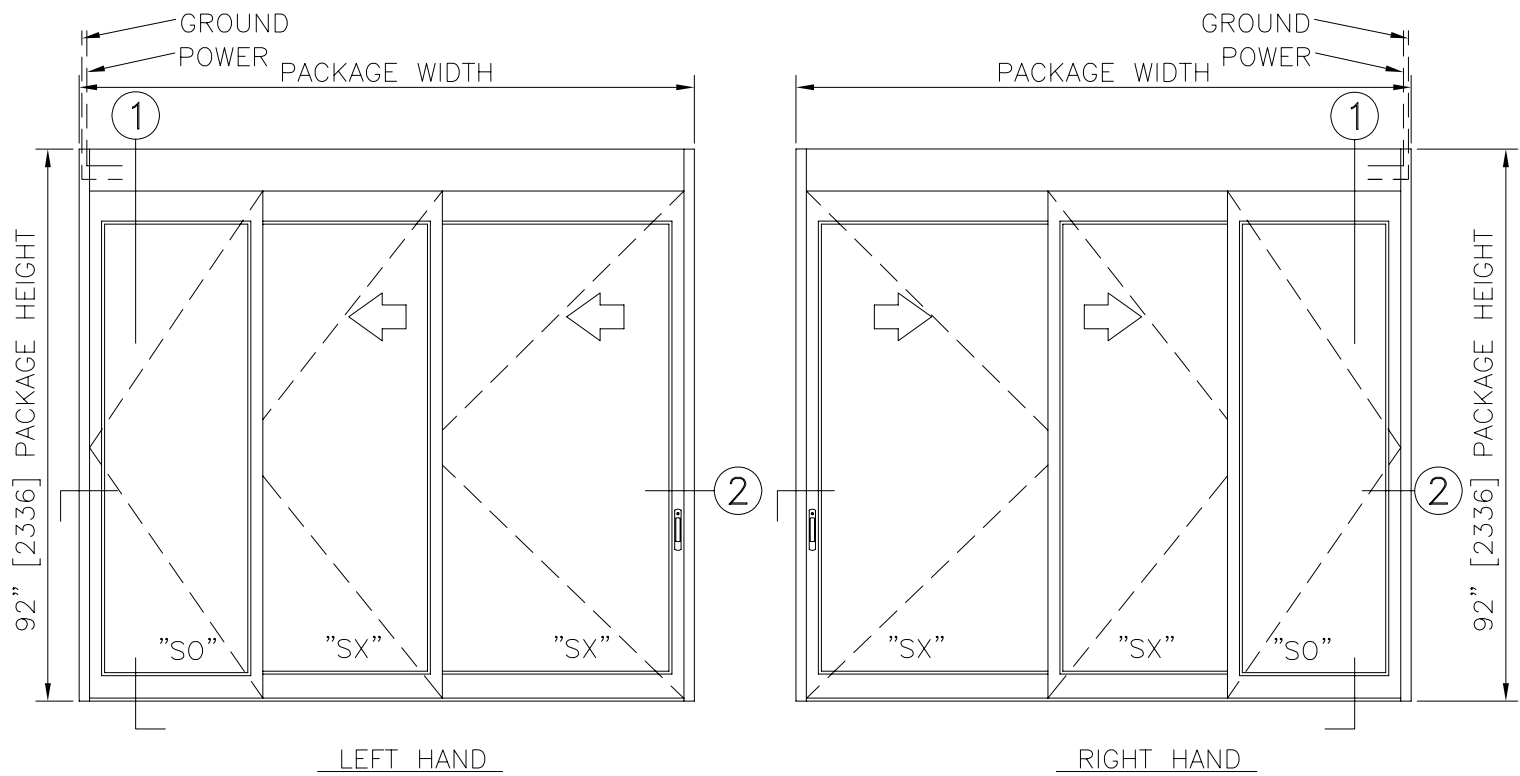


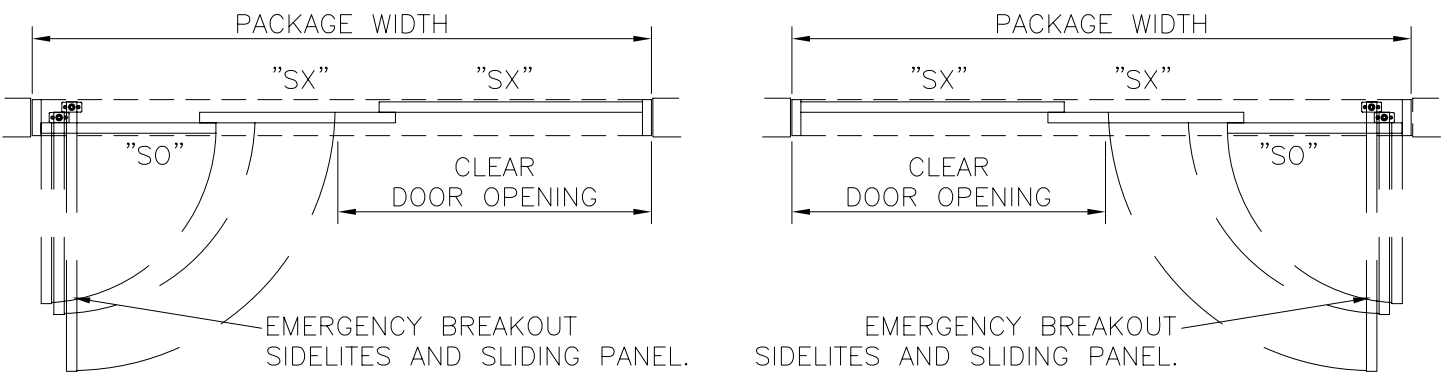


DURA-CARE™ 7500TL-FBOPG SERIES

3-PANEL TELESCOPIC TRACKLESS, PRIVACY GLASS	
PROJECT INFORMATION	
PROJECT NAME:	
LOCATION:	
DOOR NUMBER(S):	
DATE:	SHEET: OF

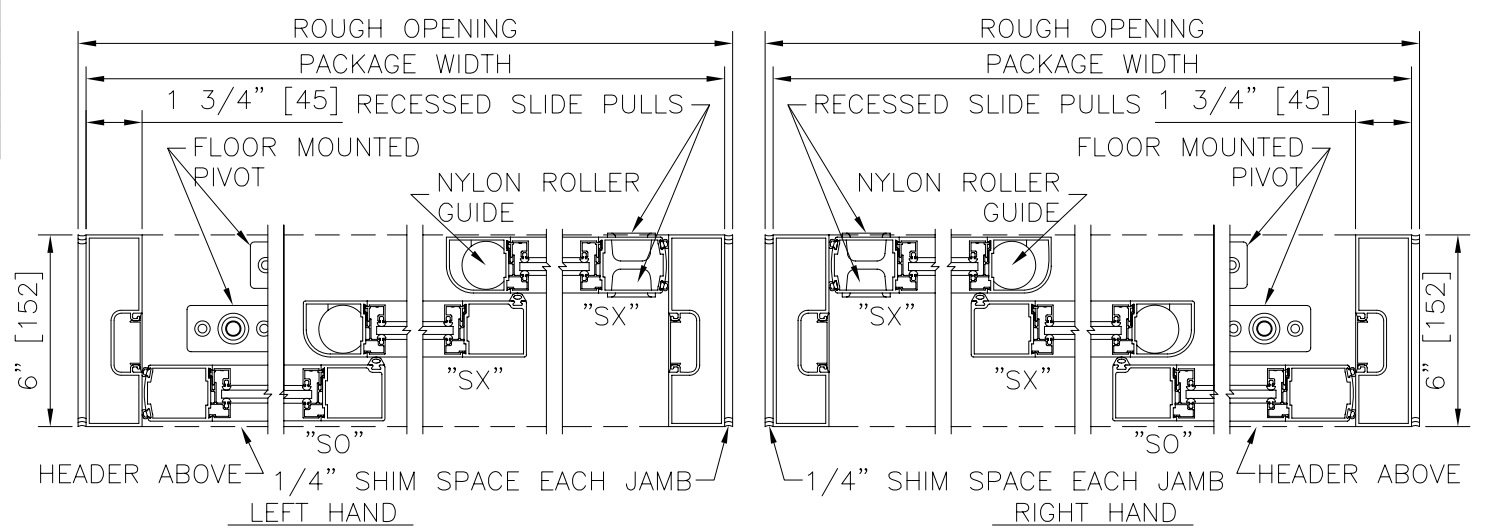


ELEVATION VIEW
SCALE: 3/8" = 1'-0"

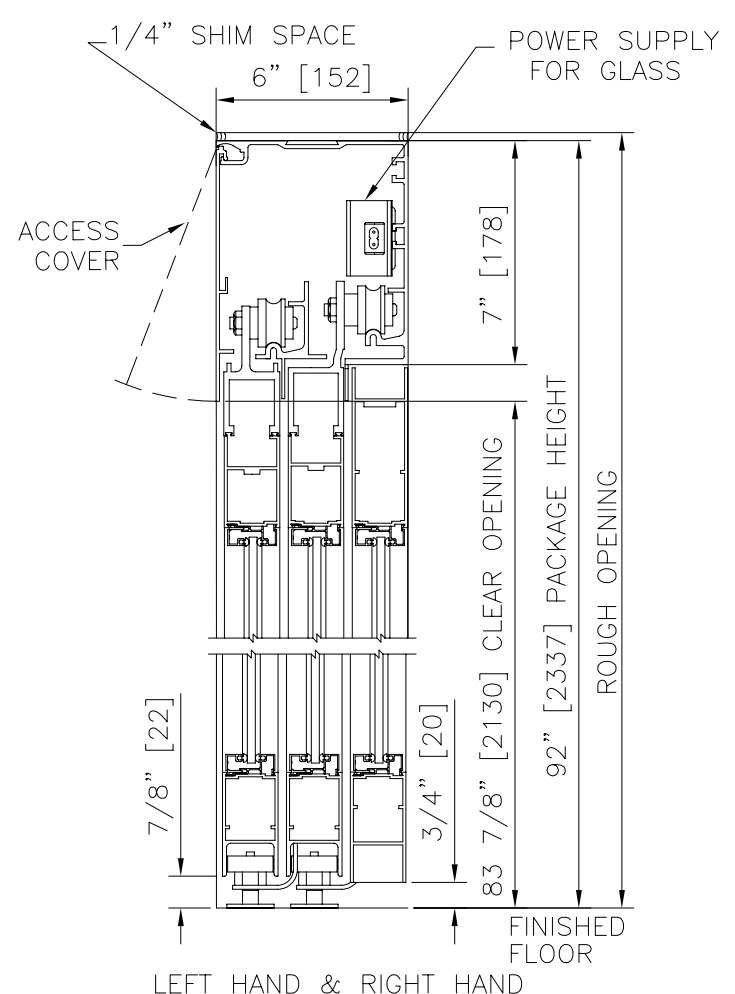


PLAN VIEW
SCALE: 3/8" = 1'-0"

- NOTES**
- ICU/CCU ENTRANCES WITH PRIVACY GLAZING ARE LISTED UNDER UL962.
 - ELECTRICAL REQUIREMENTS: BY ELECTRICAL CONTRACTOR AS FOLLOWS:
 - 2.1 120 VAC, TO GLASS POWER SUPPLY BY ELECTRICAL CONTRACTOR.
 - 2.2 CONNECTION TO BUILDING GROUND SYSTEM (AS REQUIRED)
 - GLAZING: ELECTRICALLY CONTROLLED PRIVACY GLAZING 5/16"[8], 7/16"[11], AND 9/16"[14].
 - ROUGH OPENING SHALL PROVIDE 1/4"[6] SHIM SPACE ON SIDES AND TOP OF PACKAGE.
 - STANDARD PACKAGE EXCLUDES LATCHING OR LOCKING. POSITIVE LATCHING AND LOCKING SYSTEMS AVAILABLE.
 - SLIDING PANELS MUST BE MANUALLY DRIVEN TO THE FULL OPEN POSITION FOR SLIDING PANELS AND SIDELIGHTS TO BREAKOUT TOGETHER AS A PIVOTING UNIT
 - LEAKAGE RATED ASSEMBLIES FOR USE IN "SMOKE AND DRAFT" CONTROL APPLICATIONS ARE AVAILABLE, AND ARE LISTED UNDER UL1784
 - STANDARD STILES, BOTTOM RAILS AND MUNTINS SHOWN; MEDIUM STILES, BOTTOM RAILS TO 12"[305], AND 4 1/4"[108] MUNTINS AVAILABLE.
 - SEE SPECIFICATIONS FOR ADDITIONAL INFORMATION



HORIZONTAL SECTION
SCALE: 2" = 1'-0"



VERTICAL SECTION
SCALE: 2" = 1'-0"

PRODUCT OPTIONS

- FINISH**
- ANODIZED CLEAR CL2
 - ANODIZED DK BRONZE
 - CUSTOM
- LATCHING/LOCKING**
- POSITIVE LATCH
 - NONE
 - 1-POINT
 - 2-POINT
- STILES**
- NARROW
 - MEDIUM
- BOTTOM RAILS**
- STANDARD 4"
 - OPTIONAL 6" 8" 10" 12"
- THRESHOLDS**
- SQ/BVL (EXT)
 - DBL BVL
 - SQ/BVL (INT)
 - RECESSED
- OTHER OPTIONS**
- SMOKE AND DRAFT CONTROL
 - SELF CLOSER
- GLAZING OPTIONS**
- 5/16" [8]
 - 7/16" [11]
 - 9/16" [14]

SINGLE SLIDE FORMULAS - NARROW STILE

PACKAGE WIDTH = 3/2 CLEAR DOOR OPENING + 24.8"
 CLEAR DOOR OPENING = 2/3 PACKAGE WIDTH - 16.5"
 EMERGENCY BREAKOUT WIDTH = PACKAGE WIDTH - 11.9"
 DOOR PANEL WIDTH (SX) = 1/3 PACKAGE WIDTH + 6.5"
 DOOR PANEL WIDTH (SX) = 1/3 PACKAGE WIDTH + 0.4"
 DOOR PANEL WIDTH (SO) = 1/3 PACKAGE WIDTH - 5.5"

SINGLE SLIDE FORMULAS - MEDIUM STILE

PACKAGE WIDTH = 3/2 CLEAR DOOR OPENING + 26.3"
 CLEAR DOOR OPENING = 2/3 PACKAGE WIDTH - 17.5"
 EMERGENCY BREAKOUT WIDTH = PACKAGE WIDTH - 11.9"
 DOOR PANEL WIDTH (SX) = 1/3 PACKAGE WIDTH + 7.5"
 DOOR PANEL WIDTH (SX) = 1/3 PACKAGE WIDTH + 1.5"
 DOOR PANEL WIDTH (SO) = 1/3 PACKAGE WIDTH - 4.5"

TYPICAL PACKAGE DIMENSIONS (NARROW STILE)					
PACKAGE WIDTH	NOMINAL CLEAR DOOR OPENING	"SX" SLIDING DOOR NOMINAL WIDTH	"SX" SLIDING DOOR NOMINAL WIDTH	"SO" SIDELITE NOMINAL WIDTH	EMERGENCY BREAKOUT NOMINAL WIDTH
84"	39.5"	34.5"	28.4"	22.5"	72.4"
96"	47.5"	38.5"	32.4"	26.5"	84.4"
108"	55.5"	42.5"	36.4"	30.5"	96.4"

3-PANEL TELESCOPIC TRACKLESS, PRIVACY GLASS

DURA-CARE 7500TL-FBOPG SERIES

DURA-CARE™
7500TL-FBOPG
SERIES

3-PANEL TELESCOPING RIGHT HAND TRACKLESS

PROJECT INFORMATION

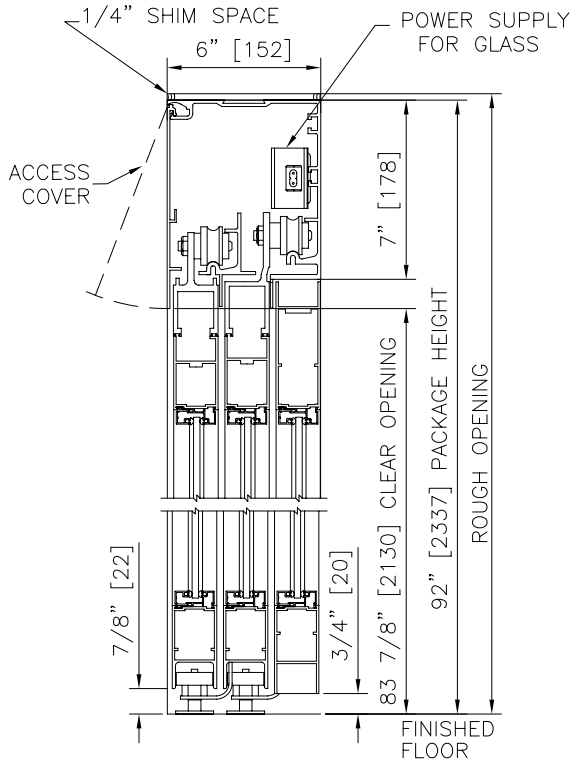
PROJECT NAME:

LOCATION:

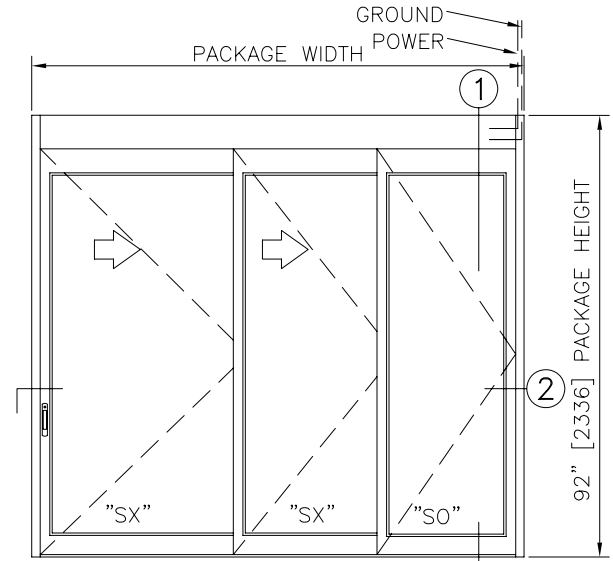
DOOR NUMBER(S):

DATE:

SHEET: OF



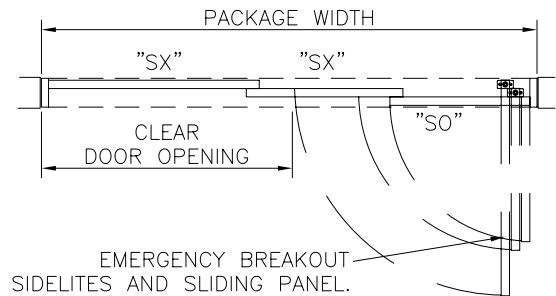
1 VERTICAL SECTION



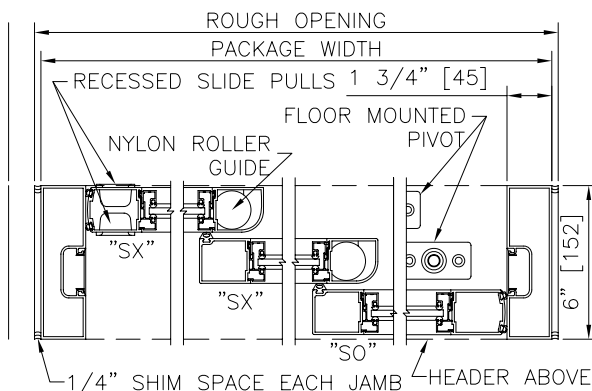
ELEVATION

NOTES

1. ELECTRICAL REQUIREMENTS: BY ELECTRICAL CONTRACTOR AS FOLLOWS:
 - 1.1 120 VAC, TO GLASS POWER SUPPLY BY ELECTRICAL CONTRACTOR.
 - 1.2 CONNECTION TO BUILDING GROUND SYSTEM (AS REQUIRED)
2. ROUGH OPENING SHALL PROVIDE 1/4"[6] SHIM SPACE ON SIDES AND TOP OF PACKAGE.
3. STANDARD PACKAGE EXCLUDES LATCHING OR LOCKING. POSITIVE LATCHING AND LOCKING SYSTEMS AVAILABLE.
4. SLIDING PANEL MUST BE MANUALLY SLID TO FULL OPEN POSITION, ENGAGING FLOOR MOUNTED HINGE PIN, PRIOR TO BREAKOUT.
5. SEE SPECIFICATIONS FOR ADDITIONAL INFORMATION.

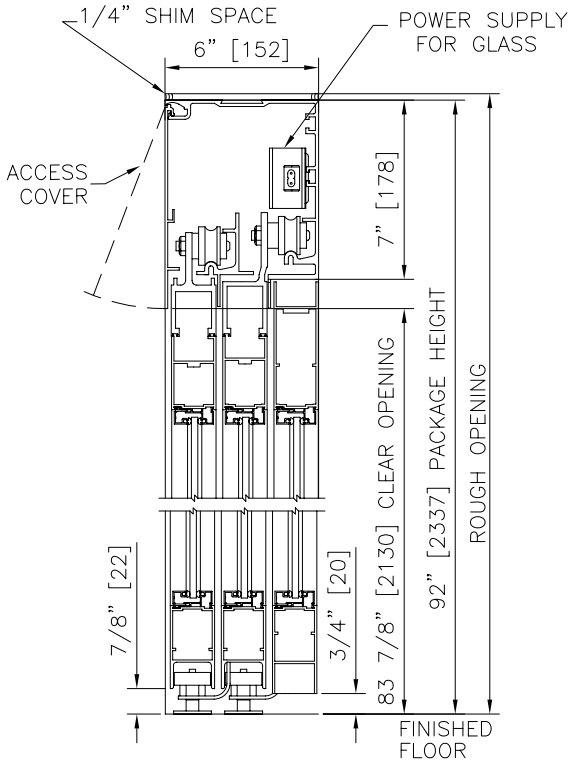


PLAN

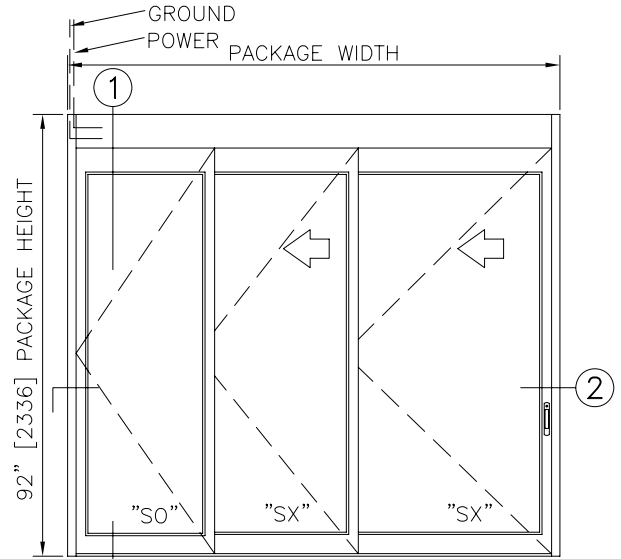


2 HORIZONTAL SECTION

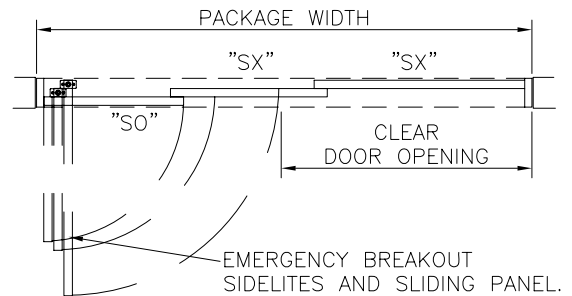
TYPICAL PACKAGE DIMENSIONS (NARROW STYLE)					
PACKAGE WIDTH	NOMINAL CLEAR DOOR OPENING	"SX" SLIDING DOOR NOMINAL WIDTH	"SX" SLIDING DOOR NOMINAL WIDTH	"SO" SIDELITE NOMINAL WIDTH	EMERGENCY BREAKOUT NOMINAL WIDTH
84"	39.5"	34.5"	28.4"	22.5"	72.4"
96"	47.5"	38.5"	32.4"	26.5"	84.4"
108"	55.5"	42.5"	36.4"	30.5"	96.4"



1 VERTICAL SECTION



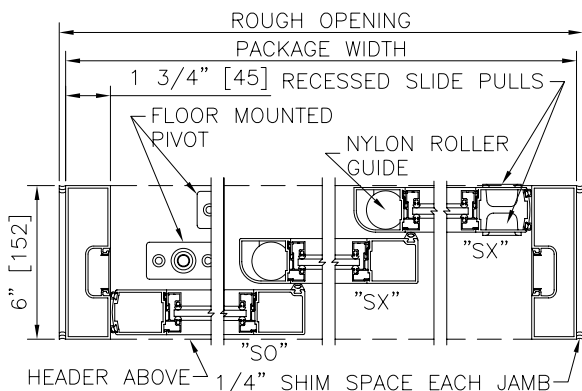
ELEVATION



PLAN

NOTES

1. ELECTRICAL REQUIREMENTS: BY ELECTRICAL CONTRACTOR AS FOLLOWS:
 - 1.1 120 VAC, TO GLASS POWER SUPPLY BY ELECTRICAL CONTRACTOR.
 - 1.2 CONNECTION TO BUILDING GROUND SYSTEM (AS REQUIRED)
2. ROUGH OPENING SHALL PROVIDE 1/4" [6] SHIM SPACE ON SIDES AND TOP OF PACKAGE.
3. STANDARD PACKAGE EXCLUDES LATCHING OR LOCKING. POSITIVE LATCHING AND LOCKING SYSTEMS AVAILABLE.
4. SLIDING PANEL MUST BE MANUALLY SLID TO FULL OPEN POSITION, ENGAGING FLOOR MOUNTED HINGE PIN, PRIOR TO BREAKOUT.
5. SEE SPECIFICATIONS FOR ADDITIONAL INFORMATION.



2 HORIZONTAL SECTION

TYPICAL PACKAGE DIMENSIONS (NARROW STYLE)					
PACKAGE WIDTH	NOMINAL CLEAR DOOR OPENING	"SX" SLIDING DOOR NOMINAL WIDTH	"SX" SLIDING DOOR NOMINAL WIDTH	"SO" SIDELITE NOMINAL WIDTH	EMERGENCY BREAKOUT NOMINAL WIDTH
84"	39.5"	34.5"	28.4"	22.5"	72.4"
96"	47.5"	38.5"	32.4"	26.5"	84.4"
108"	55.5"	42.5"	36.4"	30.5"	96.4"

**DURA-CARE™
7500TL-FBOPG
SERIES**

PROJECT INFORMATION

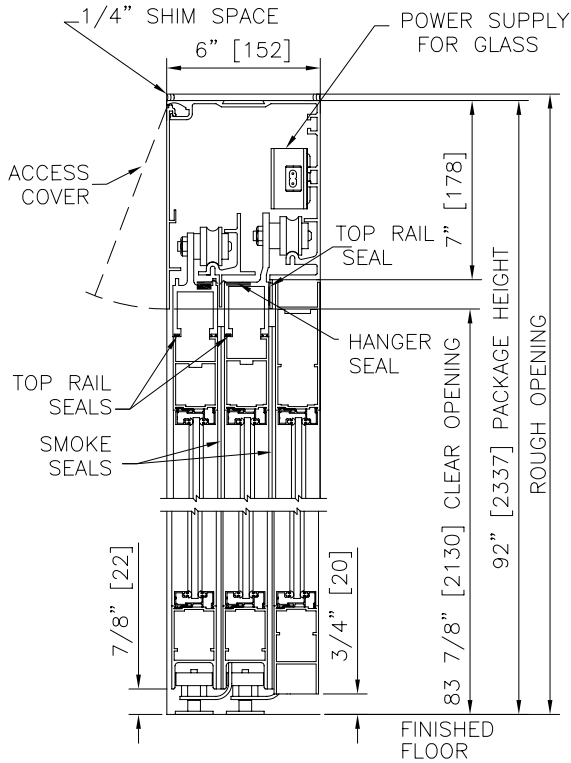
PROJECT NAME:

LOCATION:

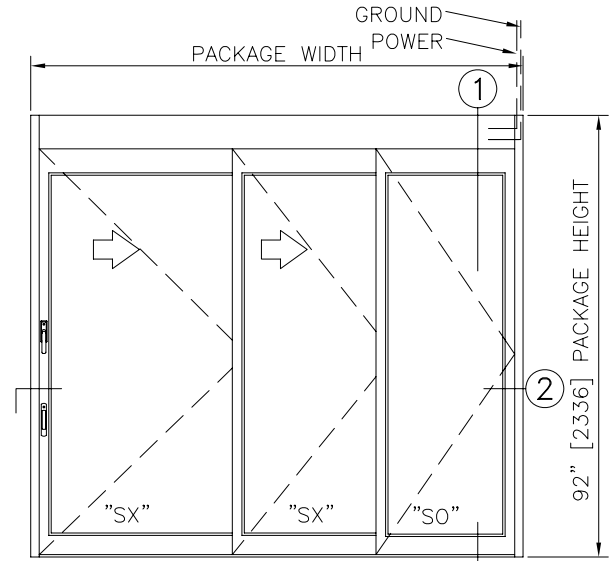
DOOR NUMBER(S):

DATE:

SHEET: OF



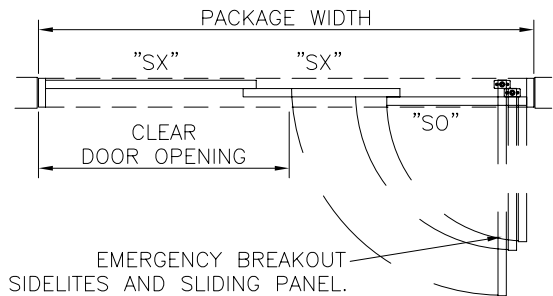
1 VERTICAL SECTION



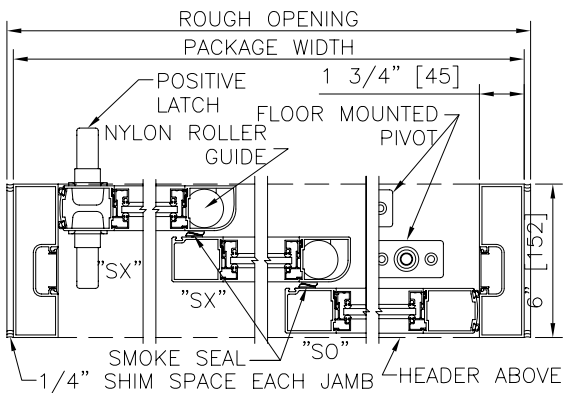
ELEVATION

NOTES

- ELECTRICAL REQUIREMENTS: BY ELECTRICAL CONTRACTOR AS FOLLOWS:
 - 120 VAC, TO GLASS POWER SUPPLY BY ELECTRICAL CONTRACTOR.
 - CONNECTION TO BUILDING GROUND SYSTEM (AS REQUIRED)
- ROUGH OPENING SHALL PROVIDE 1/4"[6] SHIM SPACE ON SIDES AND TOP OF PACKAGE.
- SLIDING PANEL MUST BE MANUALLY SLID TO FULL OPEN POSITION, ENGAGING FLOOR MOUNTED HINGE PIN, PRIOR TO BREAKOUT.
- PRODUCT IS CERTIFIED AS AN EFFECTIVE BARRIER AGAINST THE PASSAGE OF SMOKE IN ACCORDANCE WITH UL1784.
- SEE SPECIFICATIONS FOR ADDITIONAL INFORMATION.



PLAN



2 HORIZONTAL SECTION

TYPICAL PACKAGE DIMENSIONS (NARROW STYLE)					
PACKAGE WIDTH	NOMINAL CLEAR DOOR OPENING	"SX" SLIDING DOOR NOMINAL WIDTH	"SX" SLIDING DOOR NOMINAL WIDTH	"SO" SIDELITE NOMINAL WIDTH	EMERGENCY BREAKOUT NOMINAL WIDTH
84"	39.5"	34.5"	28.4"	22.5"	72.4"
96"	47.5"	38.5"	32.4"	26.5"	84.4"
108"	55.5"	42.5"	36.4"	30.5"	96.4"

**DURA-CARE™
7500TL-FBOPG
SERIES**

PROJECT INFORMATION

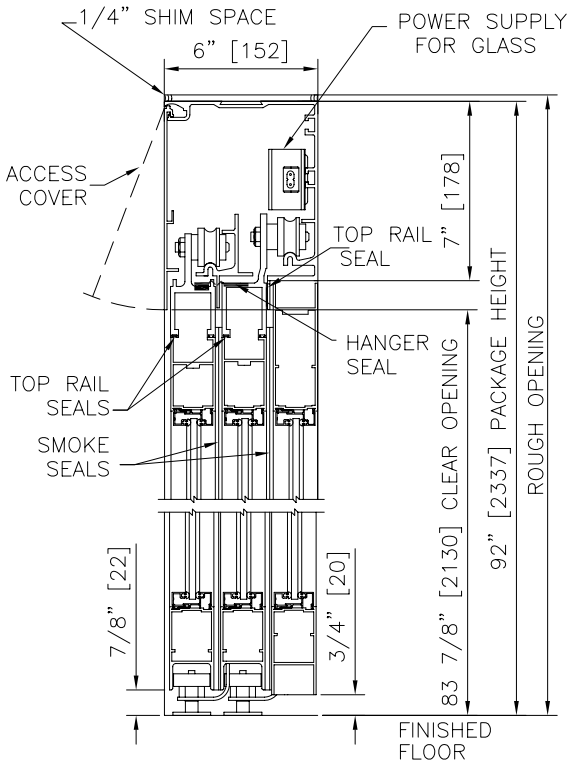
PROJECT NAME:

LOCATION:

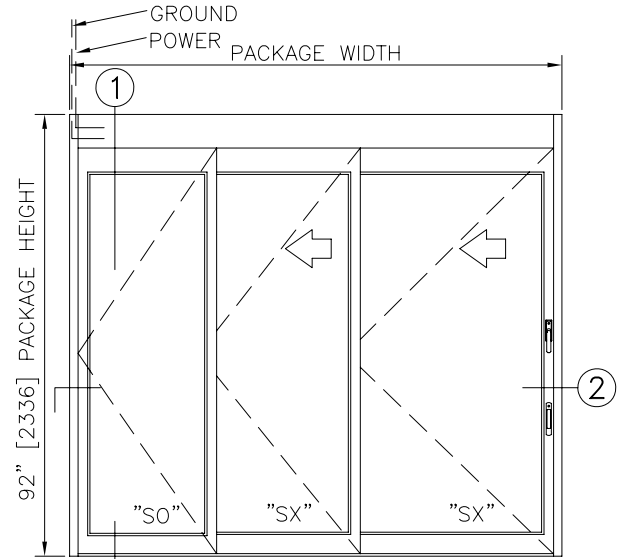
DOOR NUMBER(S):

DATE:

SHEET: OF



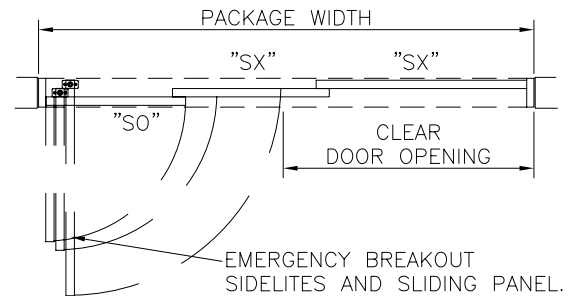
1 VERTICAL SECTION



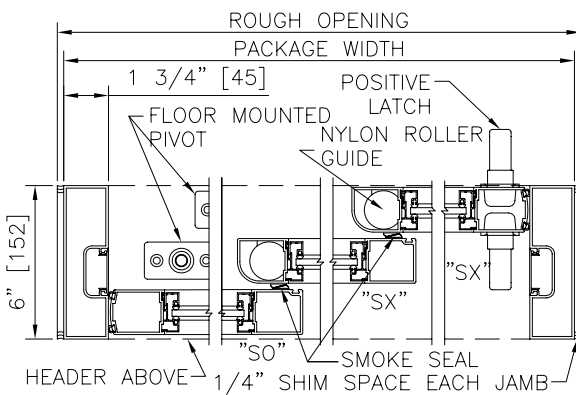
ELEVATION

NOTES

- ELECTRICAL REQUIREMENTS: BY ELECTRICAL CONTRACTOR AS FOLLOWS:
1.1 120 VAC, TO GLASS POWER SUPPLY BY ELECTRICAL CONTRACTOR.
1.2 CONNECTION TO BUILDING GROUND SYSTEM (AS REQUIRED)
- ROUGH OPENING SHALL PROVIDE 1/4"[6] SHIM SPACE ON SIDES AND TOP OF PACKAGE.
- SLIDING PANEL MUST BE MANUALLY SLID TO FULL OPEN POSITION, ENGAGING FLOOR MOUNTED HINGE PIN, PRIOR TO BREAKOUT.
- PRODUCT IS CERTIFIED AS AN EFFECTIVE BARRIER AGAINST THE PASSAGE OF SMOKE IN ACCORDANCE WITH UL1784.
- SEE SPECIFICATIONS FOR ADDITIONAL INFORMATION.



PLAN



2 HORIZONTAL SECTION

TYPICAL PACKAGE DIMENSIONS (NARROW STYLE)					
PACKAGE WIDTH	NOMINAL CLEAR DOOR OPENING	"SX" SLIDING DOOR NOMINAL WIDTH	"SX" SLIDING DOOR NOMINAL WIDTH	"SO" SIDELITE NOMINAL WIDTH	EMERGENCY BREAKOUT NOMINAL WIDTH
84"	39.5"	34.5"	28.4"	22.5"	72.4"
96"	47.5"	38.5"	32.4"	26.5"	84.4"
108"	55.5"	42.5"	36.4"	30.5"	96.4"