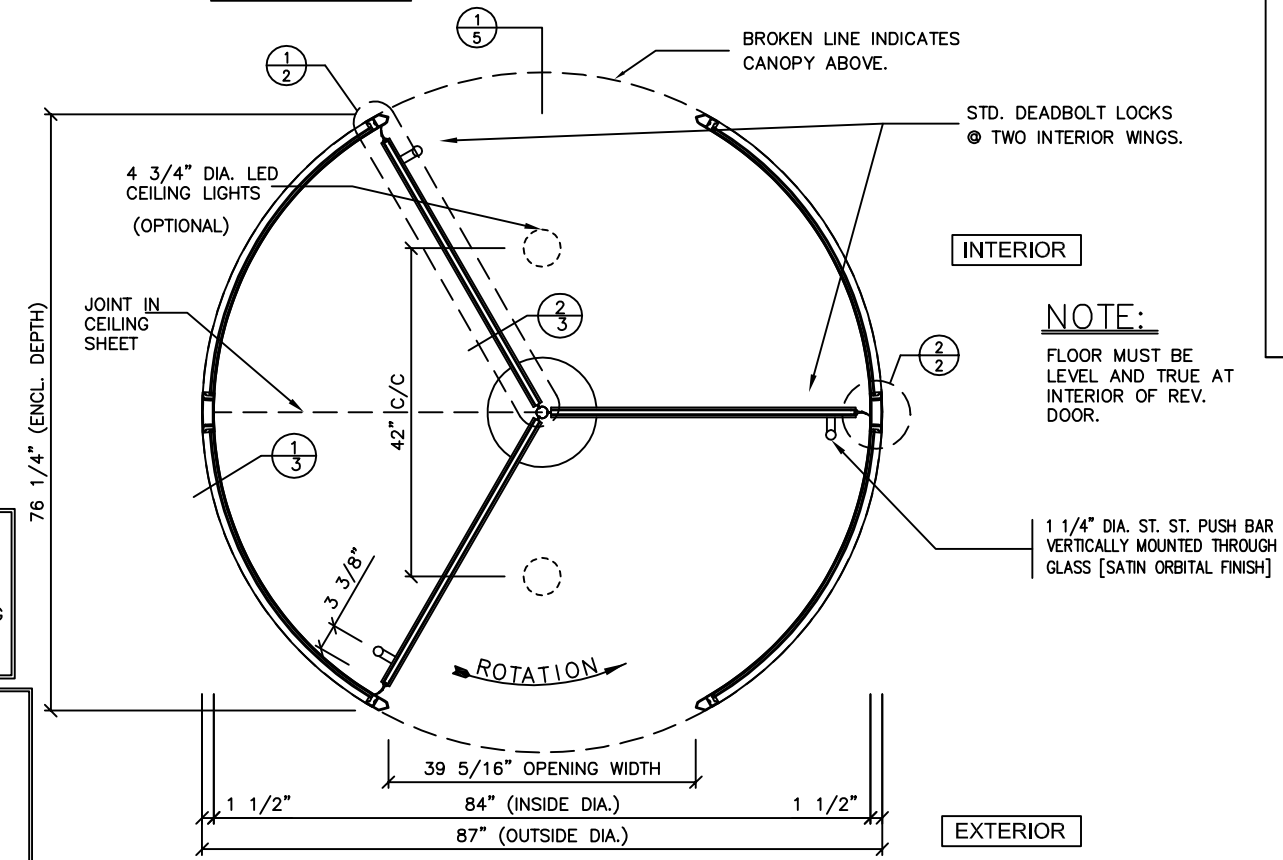


**REVOLVING DOOR ENTRANCE ELEVATION**  
1 REQUIRED

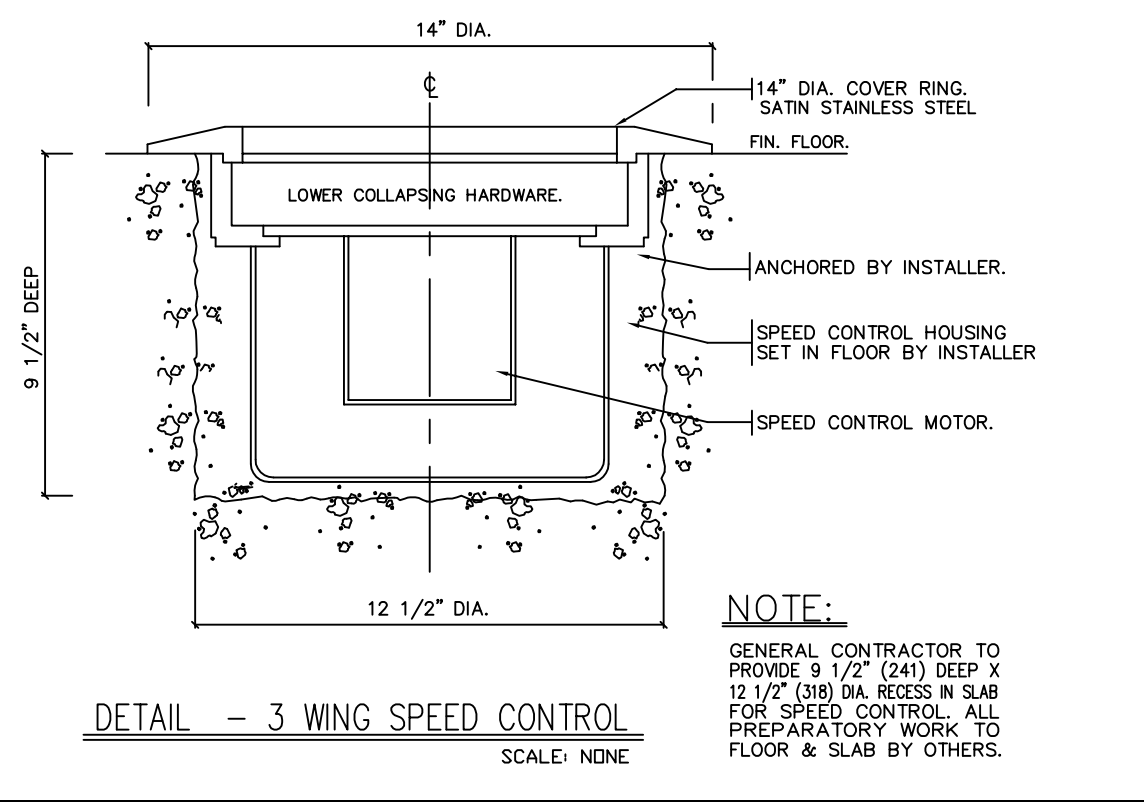


**REVOLVING DOOR ENTRANCE PLAN**

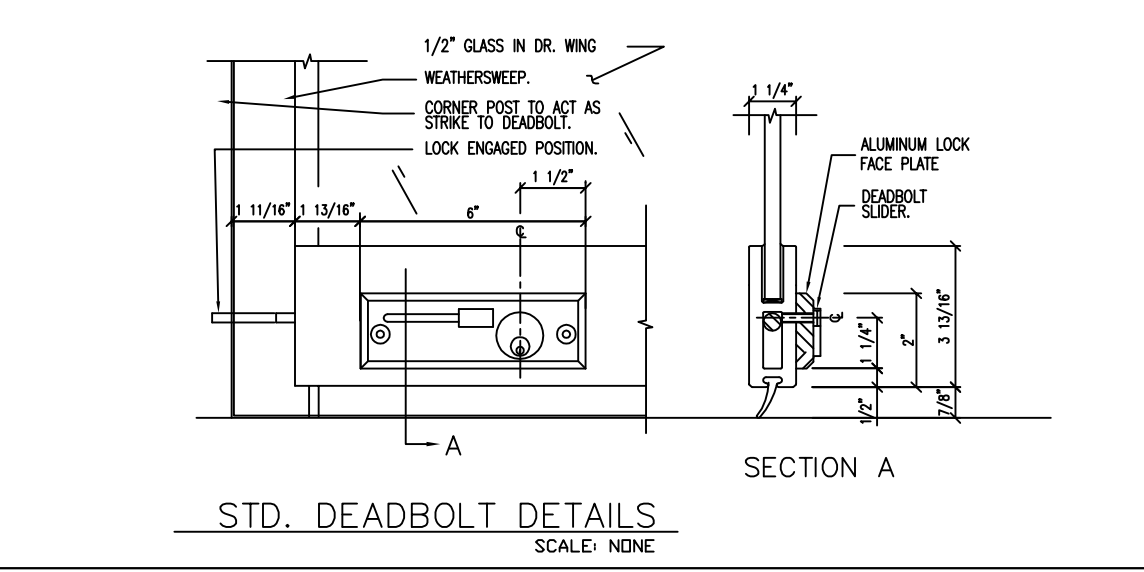
**NOTE:**  
GENERAL CONTRACTOR TO PROVIDE 110V 15AMP. POWER SUPPLY TO REV. DOOR CEILING LIGHTS INCLUDING ALL WIRING AND ACCESSORIES.

**SHOP NOTE:**  
FINISH= ANODIZED/PAINT  
CURVED GLASS TINT= CLEAR  
DR. WG. GLASS TINT= CLEAR  
CEILING GLASS TINT= CLEAR

FLOOR MANUAL SPEED CONTROL



**DETAIL - 3 WING SPEED CONTROL**  
SCALE: NONE



**STD. DEADBOLT DETAILS**  
SCALE: NONE

Date	REVISIONS	By	Issue
No.	ISSUED	Date	

**IMPORTANT NOTICE**  
Stanley Rush wishes to bring to your attention the following, for which we assume NO RESPONSIBILITY:

- (1) The use of these drawings by other parties is the sole responsibility of that party as to site conditions, measurements, etc.,.
- (2) Movement of structures by forces causing mis-alignment and improper function of our product.
- (3) Results of glass breakage causing bodily harm through improper use or mischief.

**SPECIAL REFERENCE NOTE**  
Very often the method of manufacturing as shown on these shop drawings are a development of the skills of the company. Any reproduction and or distribution in whole or in part, without expressed or written consent is strictly prohibited.

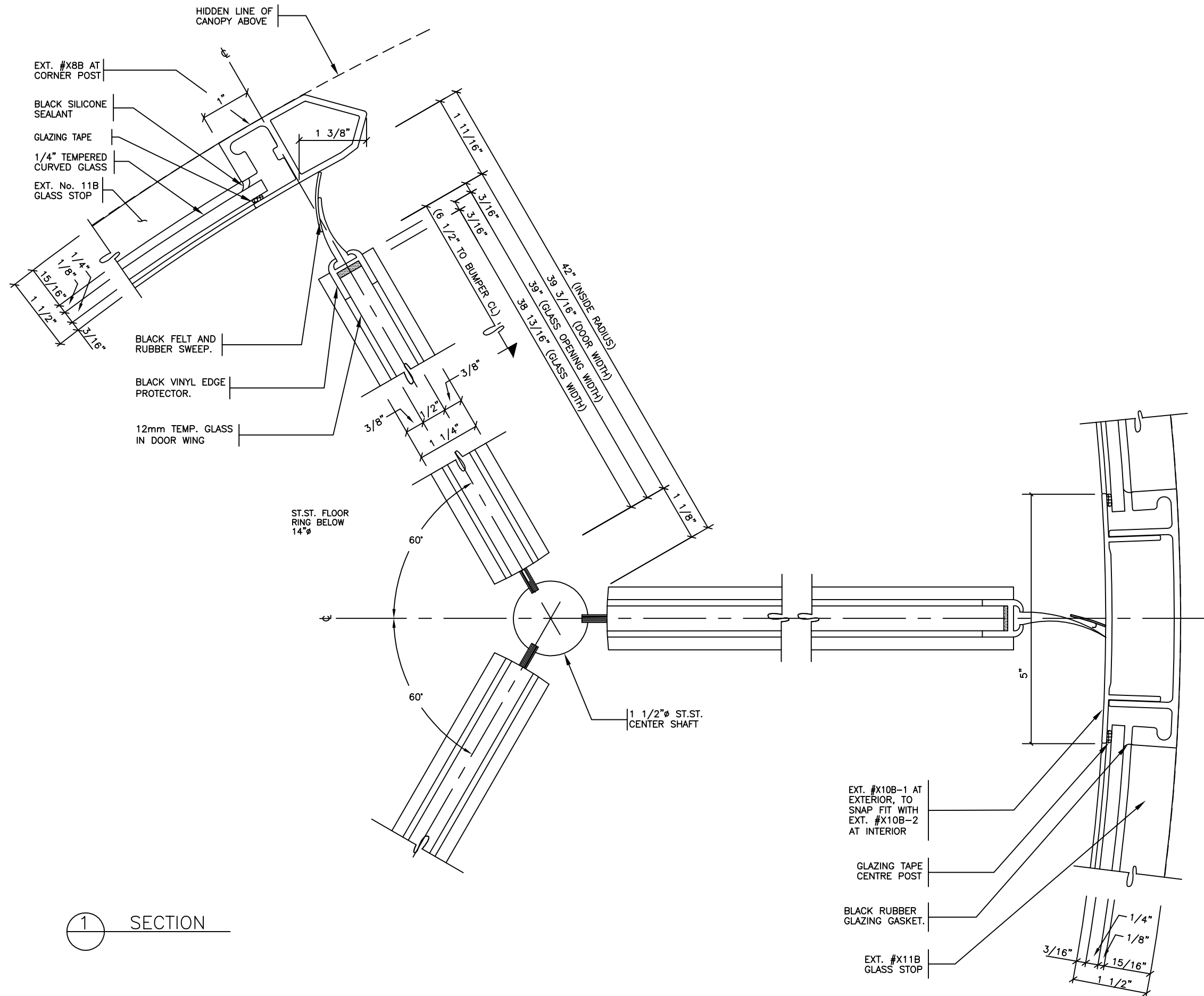
Stanley Rush

**STANLEY RUSH**

65 RIVIERA DRIVE      Tel. 888-301-5407  
 MARKHAM, ONT.      905-944-8005  
 CANADA, L3R 5J6      Fax 905-944-8006

**3500 SERIES 3 WING REVOLVING DOOR ELEVATION / PLAN / DETAILS**

<b>BUILDING</b>	
<b>LOCATION</b>	
<b>ARCH-ENG.</b>	
<b>CONTRACTOR</b>	
<b>Drawn by</b>	<b>Job No.</b>
<b>Checked by</b>	
<b>Scale</b>	
<b>Date</b>	<b>Dwg. No.</b>
<b>Finish</b>	01



1 SECTION

2 SECTION

Date	REVISIONS	By	Issue

No.	ISSUED	Date

**IMPORTANT NOTICE**

Stanley Rush wishes to bring to your attention the following, for which we assume NO RESPONSIBILITY:

- (1) The use of these drawings by other parties is the sole responsibility of that party as to site conditions, measurements, etc.,
- (2) Movement of structures by forces causing misalignment and improper function of our product.
- (3) Results of glass breakage causing bodily harm through improper use or mischief.

**SPECIAL REFERENCE NOTE**

Very often the method of manufacturing as shown on these shop drawings are a development of the skills of the company. Any reproduction and or distribution in whole or in part, without expressed or written consent is strictly prohibited.

Stanley Rush

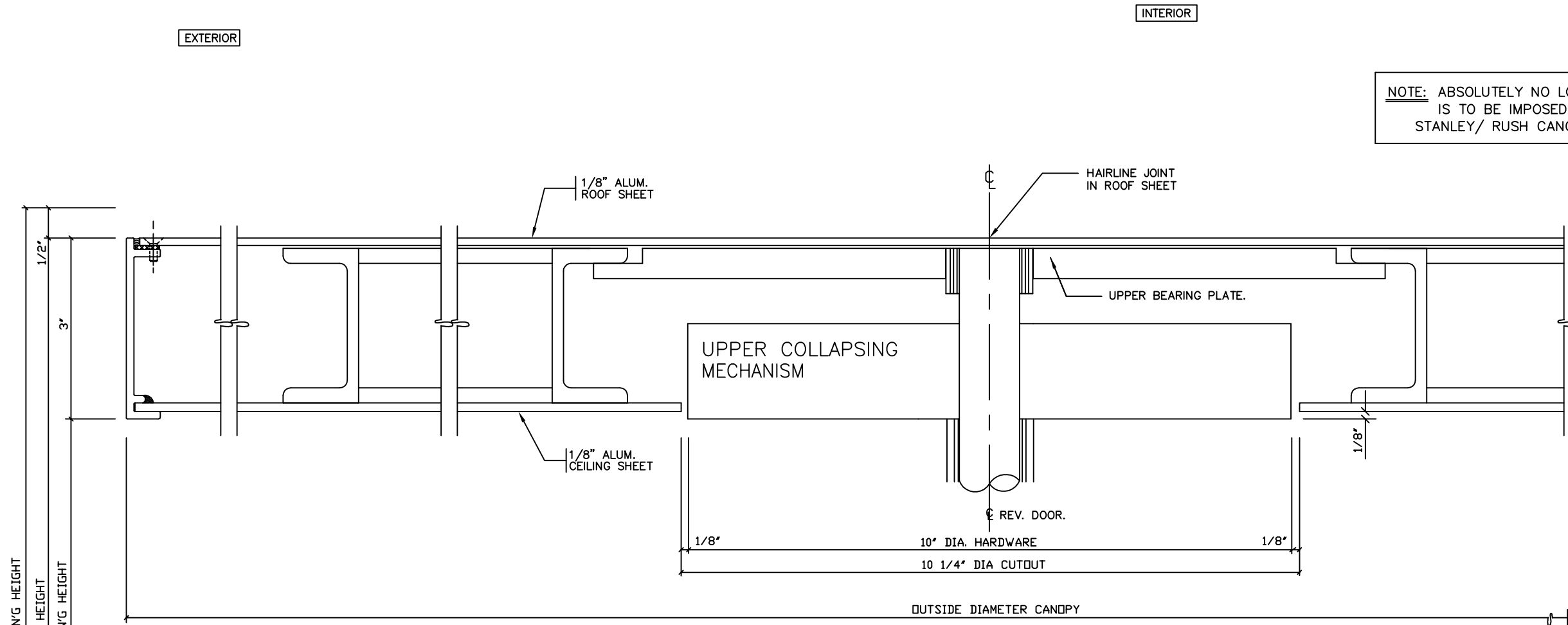
**STANLEY RUSH**

65 RIVIERA DRIVE      Tel. 888-301-5407  
 MARKHAM, ONT.      905-944-8005  
 CANADA, L3R 5J6      Fax 905-944-8006

**3 WING 3500 SERIES REVOLVING DOOR DETAILS**

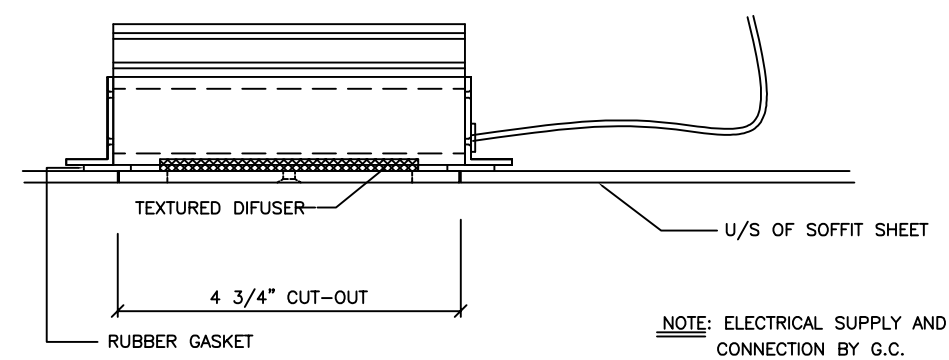
<b>BUILDING</b>	
<b>LOCATION</b>	
<b>ARCH-ENG.</b>	
<b>CONTRACTOR</b>	
Drawn by	Job No.
Checked by	
Scale	Dwg. No.
Date	
Finish	02





**NOTE:** ABSOLUTELY NO LOAD IS TO BE IMPOSED ON STANLEY/ RUSH CANOPY.

CLEAR OP'NG HEIGHT  
 FRAME HEIGHT  
 DOOR OP'NG HEIGHT



TYPICAL SECTION THROUGH CANOPY AT CEILING FIXTURE  
 (OPTIONAL LED CEILING LIGHTS)  
 SCALE: NONE

5 SECTION

Date	REVISIONS	By	Issue

No.	ISSUED	Date

**IMPORTANT NOTICE**  
 Stanley Rush wishes to bring to your attention the following, for which we assume NO RESPONSIBILITY:  
 (1) The use of these drawings by other parties is the sole responsibility of that party as to site conditions, measurements, etc.,  
 (2) Movement of structures by forces causing misalignment and improper function of our product.  
 (3) Results of glass breakage causing bodily harm through improper use or mischief.  
**SPECIAL REFERENCE NOTE**  
 Very often the method of manufacturing as shown on these shop drawings are a development of the skills of the company. Any reproduction and or distribution in whole or in part, without expressed or written consent is strictly prohibited.  
 Stanley Rush

**STANLEY RUSH**  
 65 RIVIERA DRIVE Tel. 888-301-5407  
 MARKHAM, ONT. 905-944-8005  
 CANADA, L3R 5J6 Fax 905-944-8006

3 WING 3500 SERIES  
 REVOLVING DOOR  
 CANOPY / SECTION

BUILDING	
LOCATION	
ARCH-ENG.	
CONTRACTOR	
Drawn by	Job No.
Checked by	Dwg. No. 04
Scale	
Date	
Finish	