

**NOTE:** ABSOLUTELY NO LOAD IS TO BE IMPOSED ON STANLEY/ RUSH CANOPY.

Date	REVISIONS	By	Issue

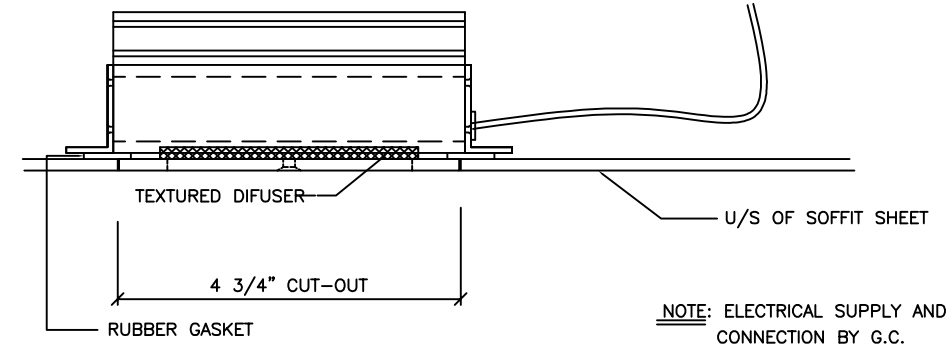
No.	ISSUED	Date

**IMPORTANT NOTICE**  
Stanley Rush wishes to bring to your attention the following, for which we assume NO RESPONSIBILITY:

- (1) The use of these drawings by other parties is the sole responsibility of that party as to site conditions, measurements, etc..
- (2) Movement of structures by forces causing mis-alignment and improper function of our product.
- (3) Results of glass breakage causing bodily harm through improper use or mischief.

**SPECIAL REFERENCE NOTE**  
Very often the method of manufacturing as shown on these shop drawings are a development of the skills of the company. Any reproduction and or distribution in whole or in part, without expressed or written consent is strictly prohibited.  
Stanley Rush

CLEAR OPNG HEIGHT  
FRAME HEIGHT  
DOOR OPNG HEIGHT



**NOTE:** ELECTRICAL SUPPLY AND CONNECTION BY G.C.

TYPICAL SECTION THROUGH CANOPY AT CEILING FIXTURE  
(OPTIONAL LED CEILING LIGHTS)  
SCALE: NONE

1 SECTION

**STANLEY RUSH**  
65 RIVIERA DRIVE      Tel. 888-301-5407  
MARKHAM, ONT.      905-944-8005  
CANADA, L3R 5J6      Fax 905-944-8006

4 WING 3500 SERIES  
REVOLVING DOOR  
CANOPY / SECTION

<b>BUILDING</b>	
<b>LOCATION</b>	
<b>ARCH-ENG.</b>	
<b>CONTRACTOR</b>	
Drawn by	Job No.
Checked by	Dwg. No.
Scale	
Date	
Finish	04