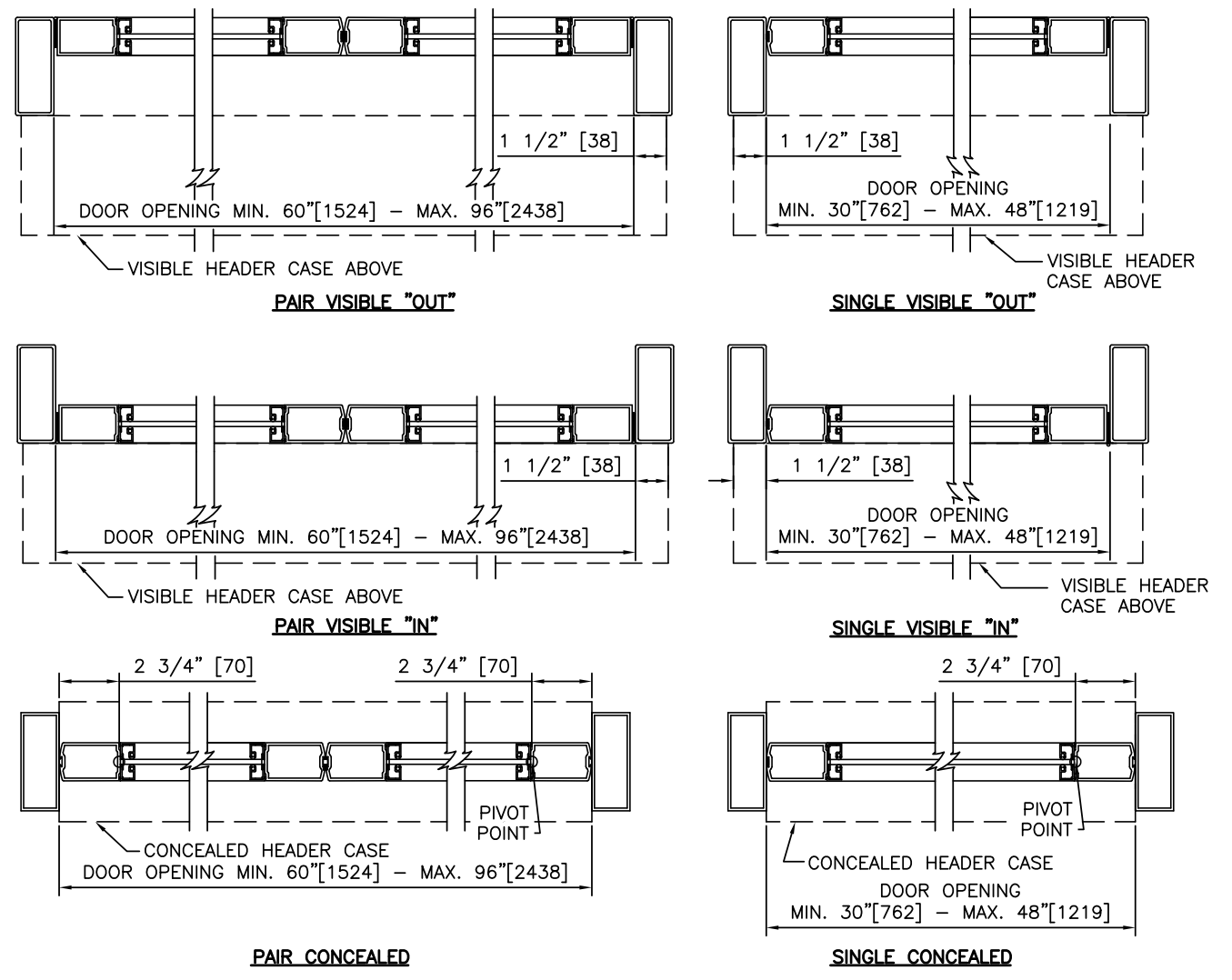
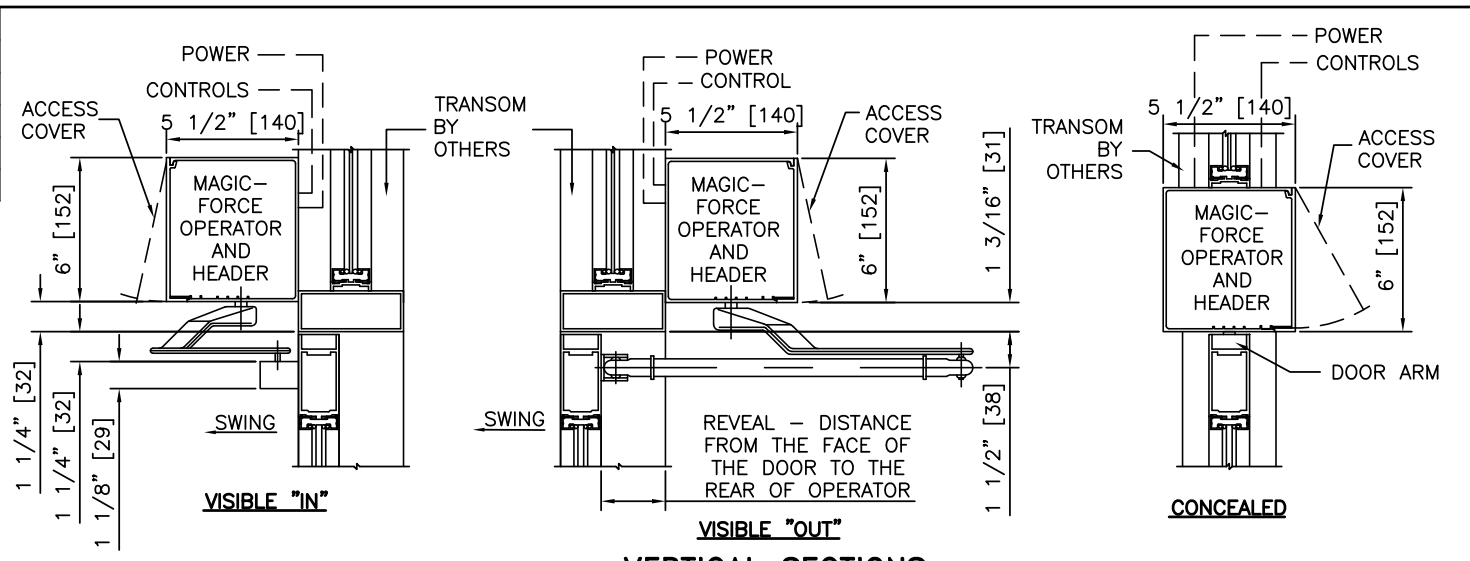
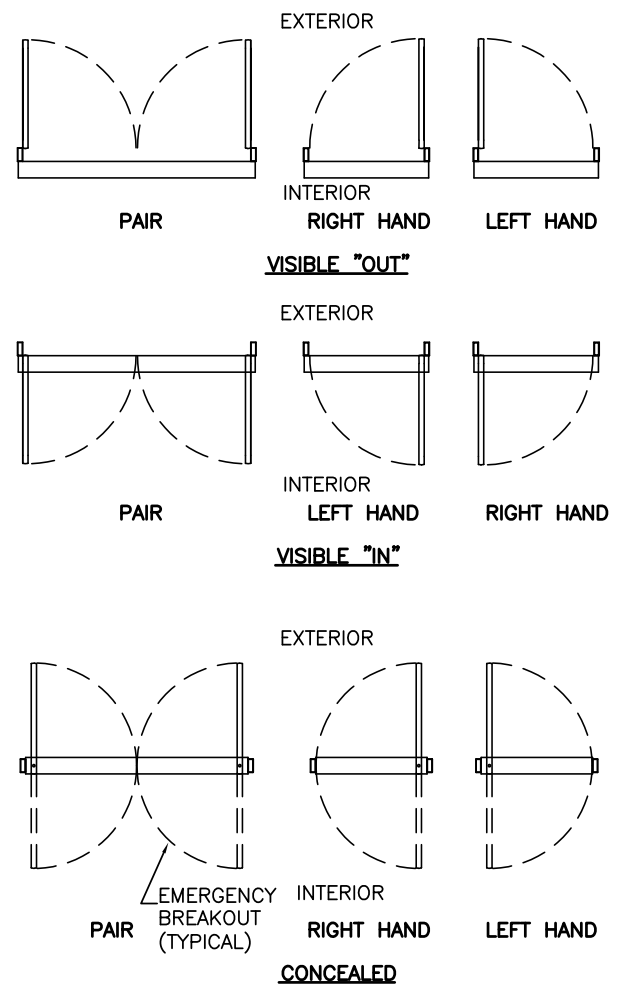
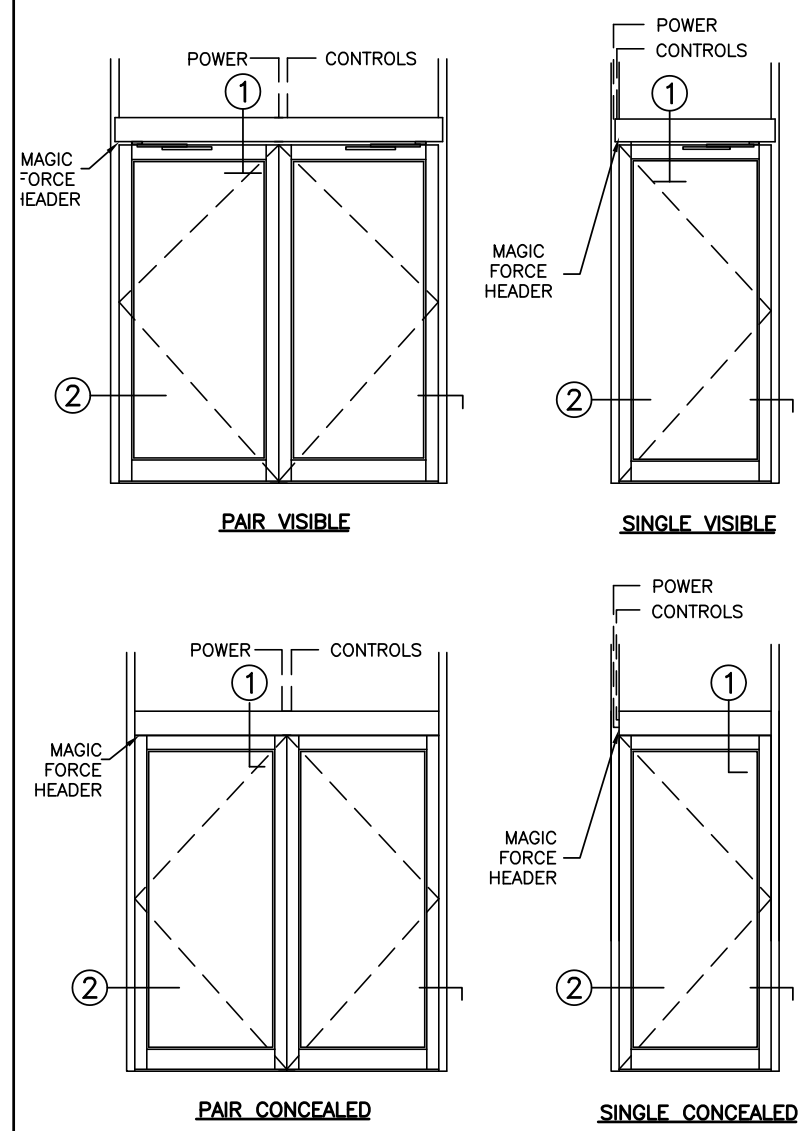




# MAGIC FORCE

LOW-ENERGY OPERATOR ON ALUMINUM DOOR & FRAME	
PROJECT INFORMATION	
PROJECT NAME:	
LOCATION:	
DOOR NUMBER(S):	
DATE:	SHEET: OF



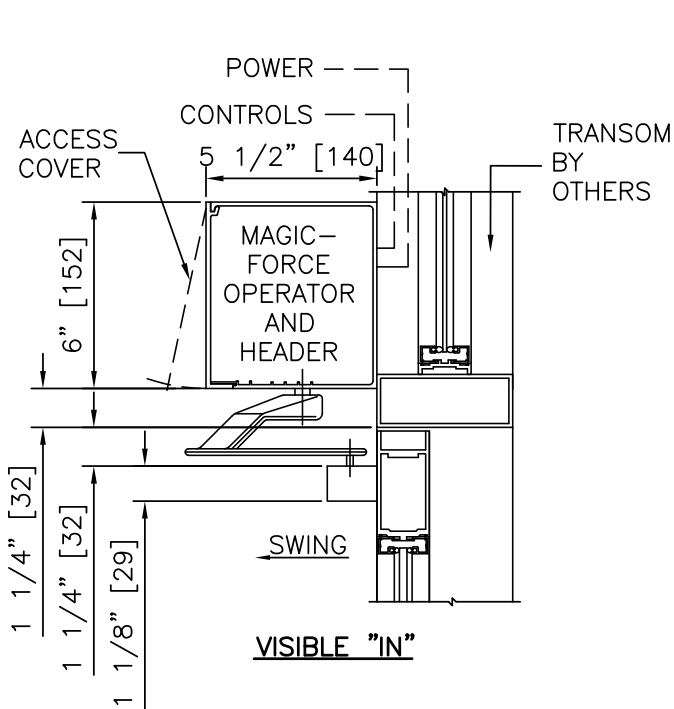
- NOTES**
- ELECTRICAL REQUIREMENTS: BY ELECTRICAL CONTRACTOR
    - 1.1 120 VAC, 5 AMP MIN TO OPERATOR.
    - 1.2 CONTROL CIRCUIT FROM ACTIVATION TO OPERATOR.
  - DOORS, FRAMES, AND HARDWARE BY OTHERS.
  - DOORS MUST BE UN-LATCHED FOR PROPER OPERATION. PROVIDE TIME DELAY RELAY WHEN REQUIRED FOR PROPER OPERATION.
  - OPERATOR AND INSTALLATION TO COMPLY WITH ANSI/BHMA A156.19.
  - SEE SPECIFICATIONS FOR ADDITIONAL INFORMATION.

LOW-ENERGY OPERATOR ON ALUMINUM DOOR & FRAME

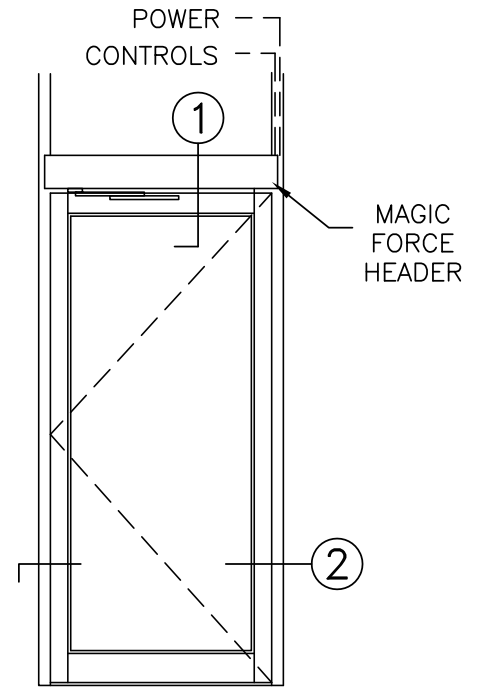
**MAGIC FORCE**

**STANLEY Security**

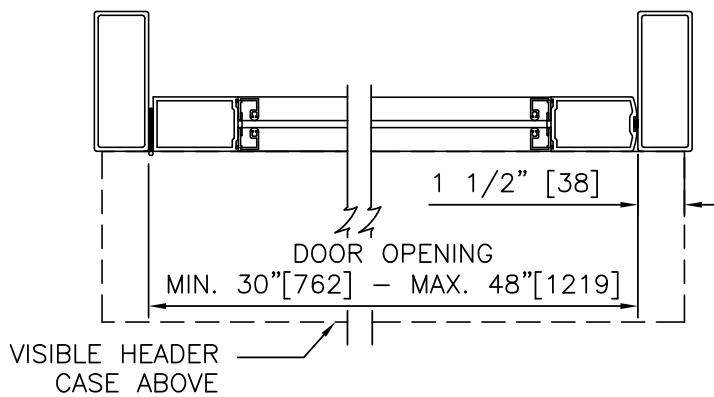
ACCESS TECHNOLOGIES



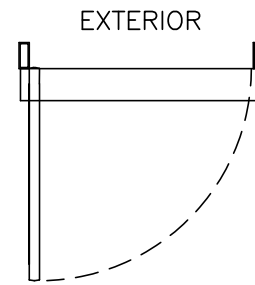
① VERTICAL SECTION



ELEVATION



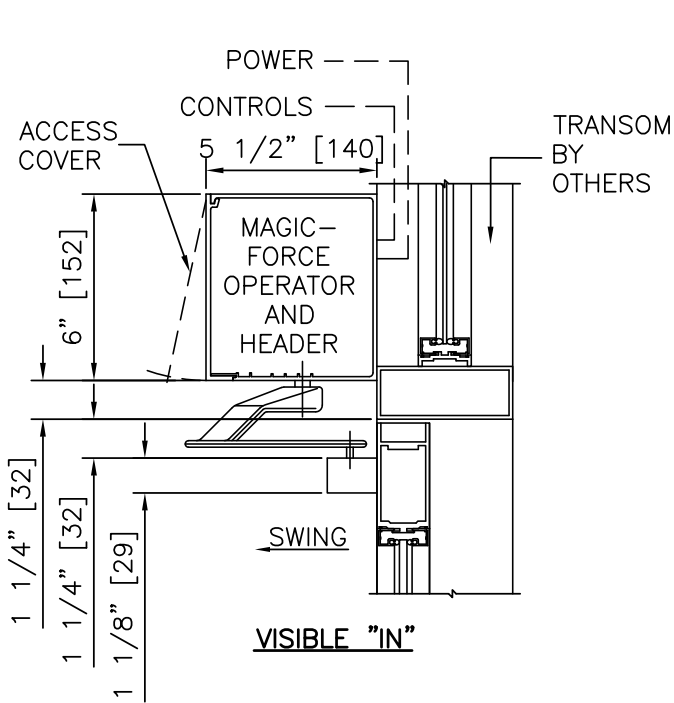
② HORIZONTAL SECTION



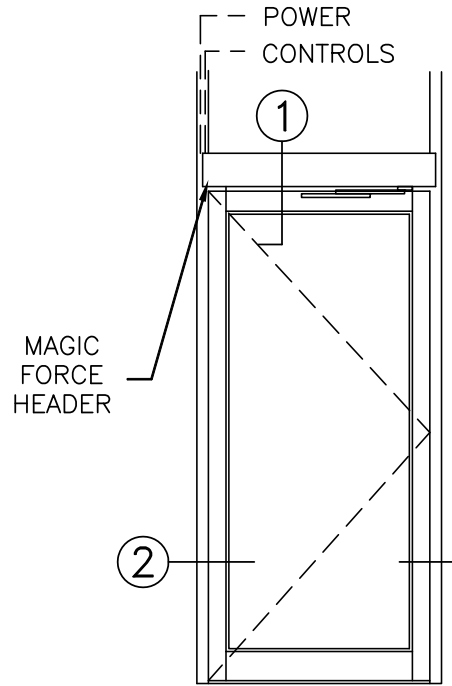
INTERIOR PLAN

**NOTES**

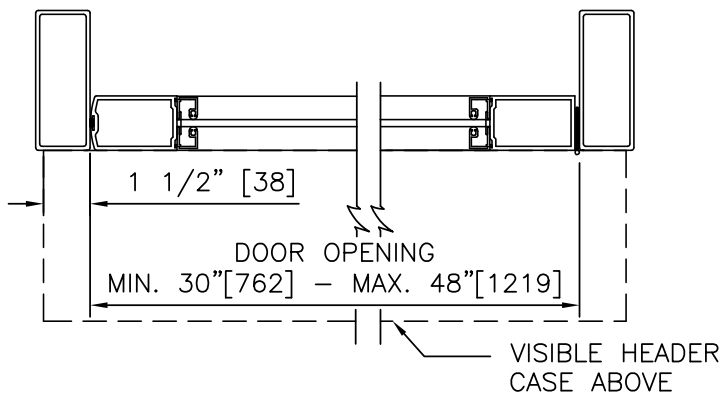
1. DETAILS NOT TO SCALE.
2. ELECTRICAL REQUIREMENTS: BY ELECTRICAL CONTRACTOR
  - 2.1 120 VAC, 5 AMP MIN TO OPERATOR.
  - 2.2 CONTROL CIRCUIT FROM ACTIVATION TO OPERATOR.
3. DOORS, FRAMES, AND HARDWARE BY OTHERS.
4. DOORS MUST BE UN-LATCHED FOR PROPER OPERATION. PROVIDE TIME DELAY RELAY WHEN REQUIRED FOR PROPER OPERATION.
5. OPERATOR AND INSTALLATION TO COMPLY WITH ANSI/BHMA A156.19.
6. SEE SPECIFICATIONS FOR ADDITIONAL INFORMATION.



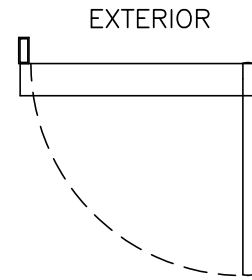
① VERTICAL SECTION



ELEVATION



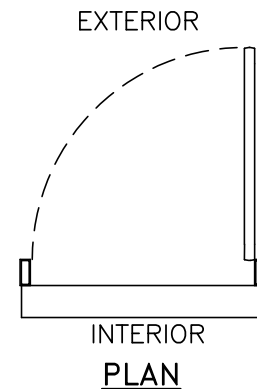
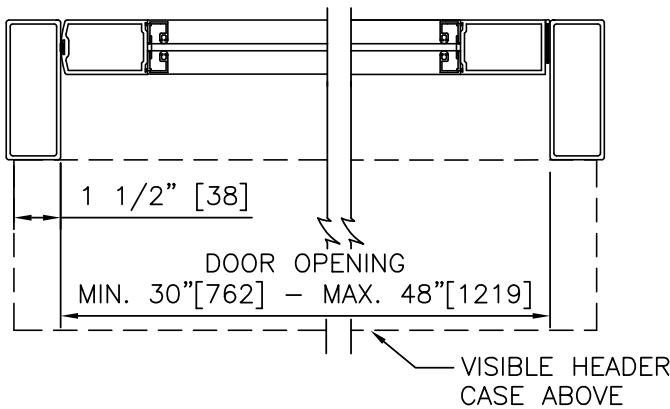
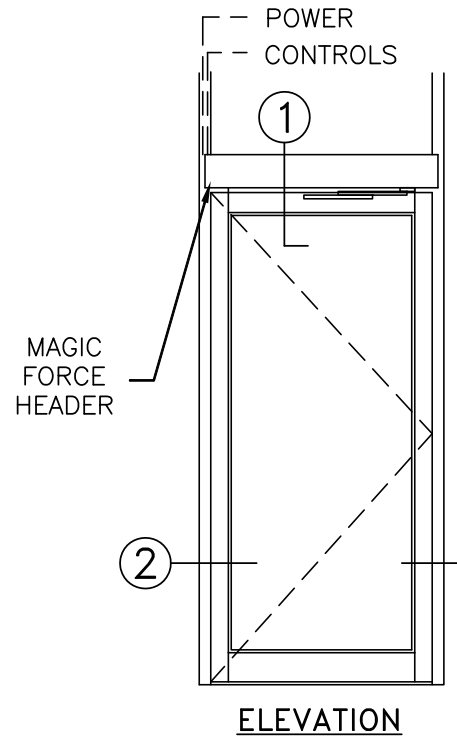
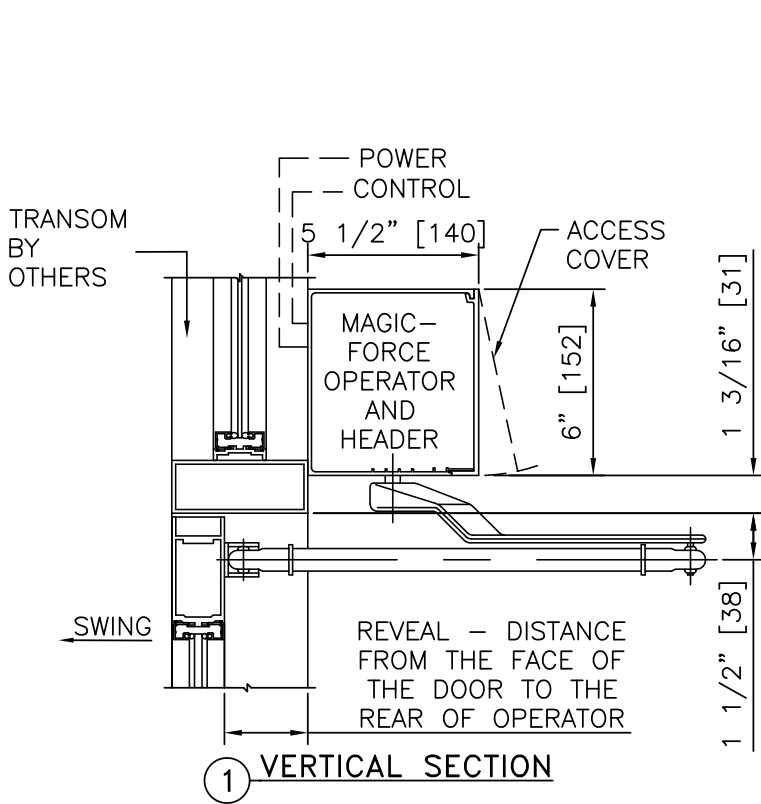
② HORIZONTAL SECTION



INTERIOR  
PLAN

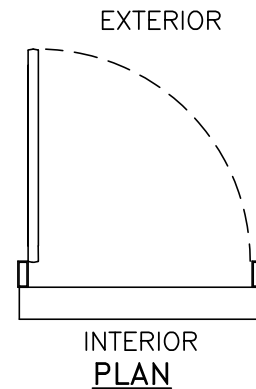
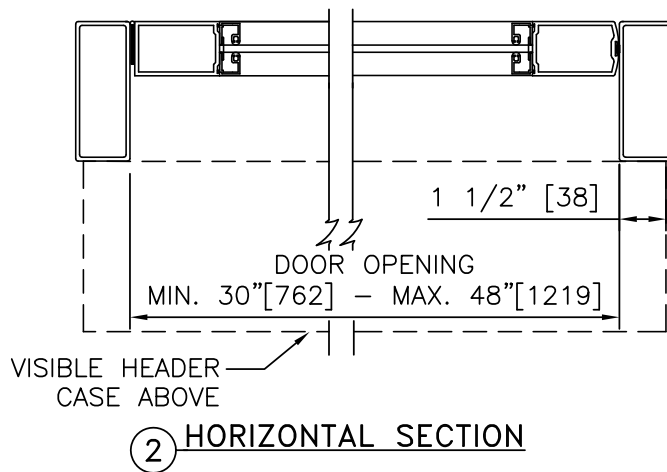
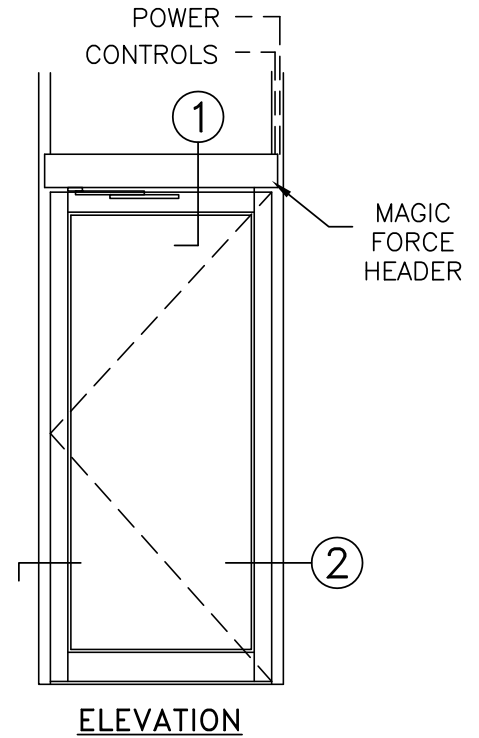
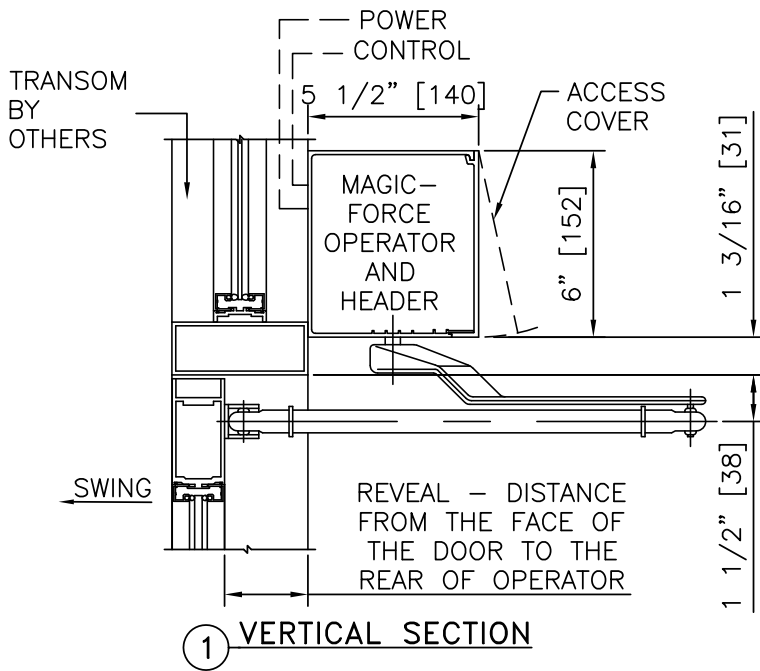
**NOTES**

1. DETAILS NOT TO SCALE.
2. ELECTRICAL REQUIREMENTS: BY ELECTRICAL CONTRACTOR
  - 2.1 120 VAC, 5 AMP MIN TO OPERATOR.
  - 2.2 CONTROL CIRCUIT FROM ACTIVATION TO OPERATOR.
3. DOORS, FRAMES, AND HARDWARE BY OTHERS.
4. DOORS MUST BE UN-LATCHED FOR PROPER OPERATION. PROVIDE TIME DELAY RELAY WHEN REQUIRED FOR PROPER OPERATION.
5. OPERATOR AND INSTALLATION TO COMPLY WITH ANSI/BHMA A156.19.
6. SEE SPECIFICATIONS FOR ADDITIONAL INFORMATION.



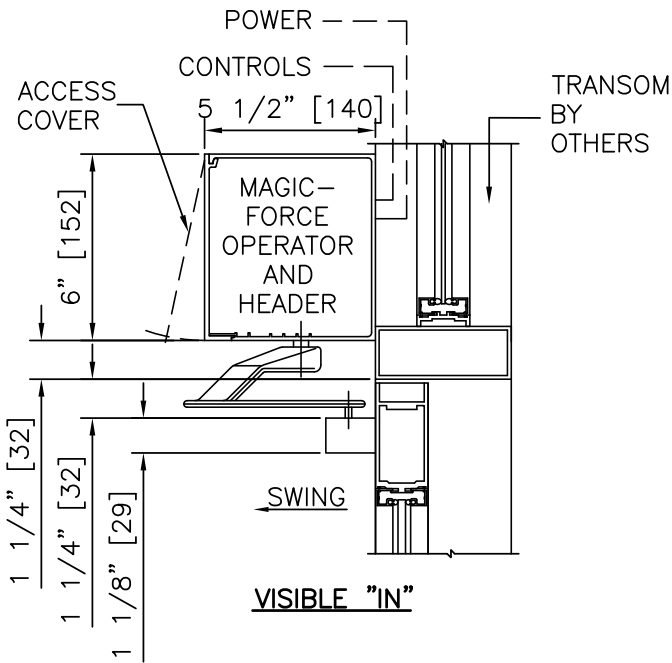
**NOTES**

1. DETAILS NOT TO SCALE.
2. ELECTRICAL REQUIREMENTS: BY ELECTRICAL CONTRACTOR
  - 2.1 120 VAC, 5 AMP MIN TO OPERATOR.
  - 2.2 CONTROL CIRCUIT FROM ACTIVATION TO OPERATOR.
3. DOORS, FRAMES, AND HARDWARE BY OTHERS.
4. DOORS MUST BE UN-LATCHED FOR PROPER OPERATION. PROVIDE TIME DELAY RELAY WHEN REQUIRED FOR PROPER OPERATION.
5. OPERATOR AND INSTALLATION TO COMPLY WITH ANSI/BHMA A156.19.
6. SEE SPECIFICATIONS FOR ADDITIONAL INFORMATION.

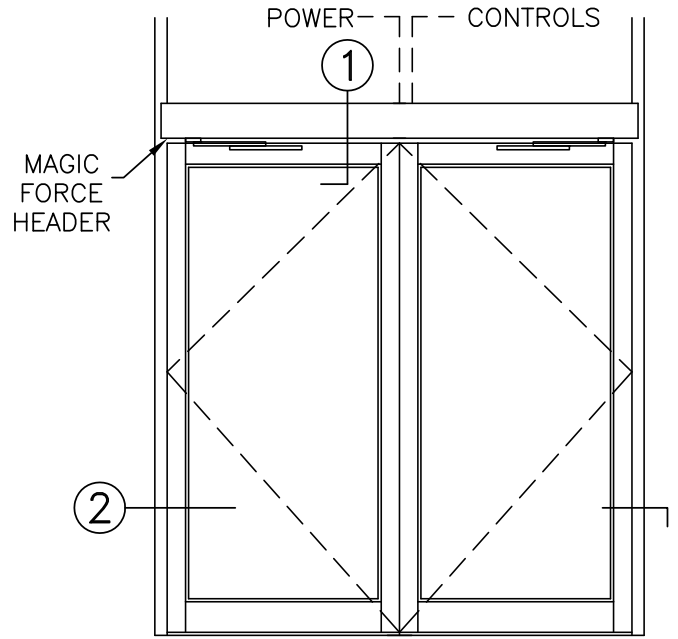


**NOTES**

1. DETAILS NOT TO SCALE.
2. ELECTRICAL REQUIREMENTS: BY ELECTRICAL CONTRACTOR
  - 2.1 120 VAC, 5 AMP MIN TO OPERATOR.
  - 2.2 CONTROL CIRCUIT FROM ACTIVATION TO OPERATOR.
3. DOORS, FRAMES, AND HARDWARE BY OTHERS.
4. DOORS MUST BE UN-LATCHED FOR PROPER OPERATION. PROVIDE TIME DELAY RELAY WHEN REQUIRED FOR PROPER OPERATION.
5. OPERATOR AND INSTALLATION TO COMPLY WITH ANSI/BHMA A156.19.
6. SEE SPECIFICATIONS FOR ADDITIONAL INFORMATION.

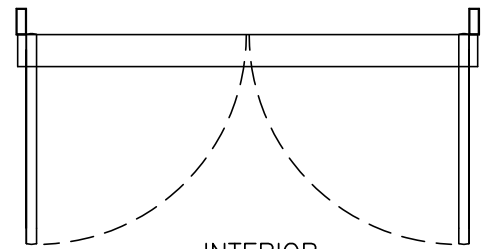


① VERTICAL SECTION

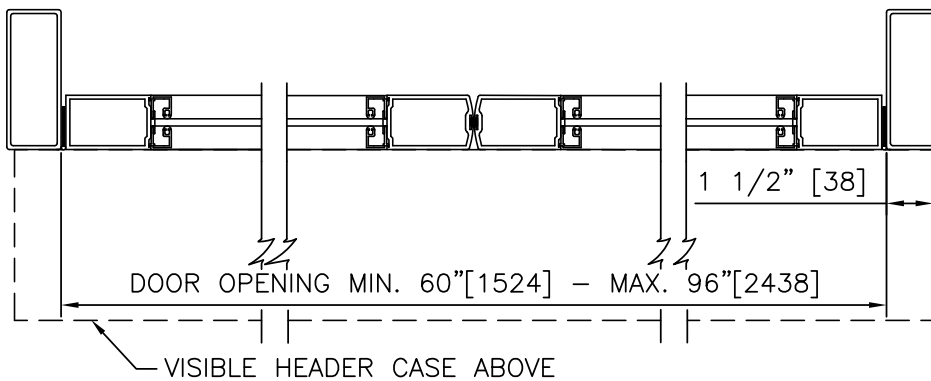


ELEVATION

EXTERIOR



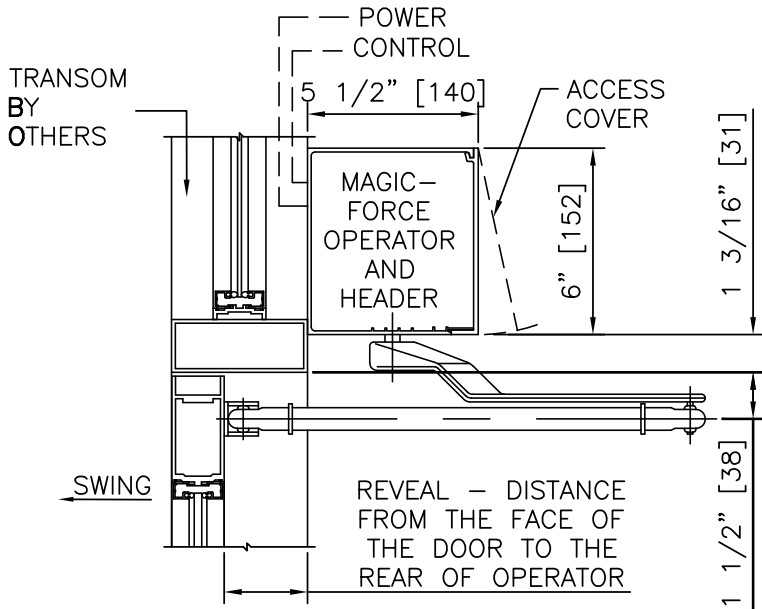
INTERIOR  
PLAN



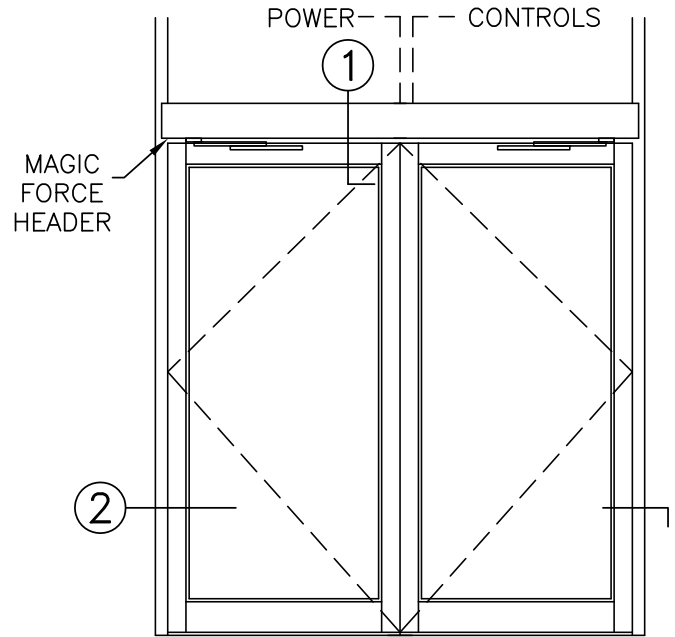
② HORIZONTAL SECTION

NOTES

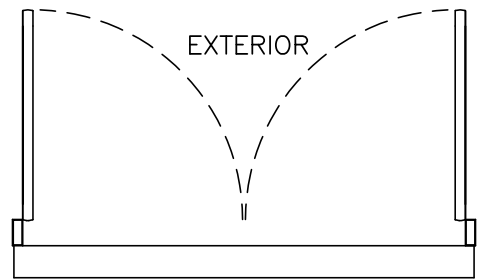
1. DETAILS NOT TO SCALE.
2. ELECTRICAL REQUIREMENTS: BY ELECTRICAL CONTRACTOR
  - 2.1 120 VAC, 5 AMP MIN TO OPERATOR.
  - 2.2 CONTROL CIRCUIT FROM ACTIVATION TO OPERATOR.
3. DOORS, FRAMES, AND HARDWARE BY OTHERS.
4. DOORS MUST BE UN-LATCHED FOR PROPER OPERATION. PROVIDE TIME DELAY RELAY WHEN REQUIRED FOR PROPER OPERATION.
5. OPERATOR AND INSTALLATION TO COMPLY WITH ANSI/BHMA A156.19.
6. SEE SPECIFICATIONS FOR ADDITIONAL INFORMATION.



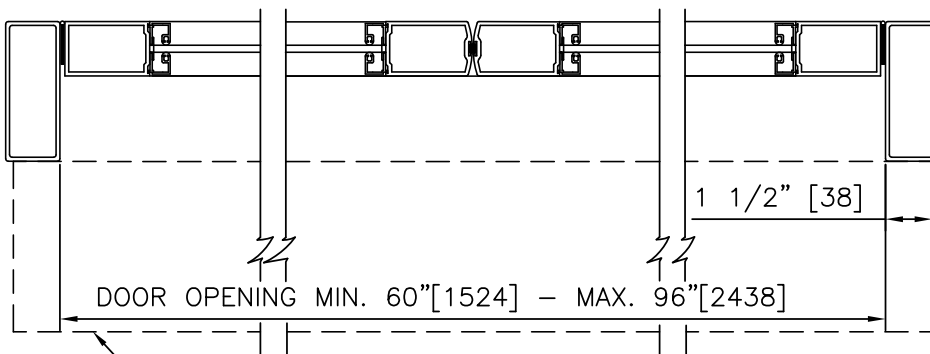
① VERTICAL SECTION



ELEVATION



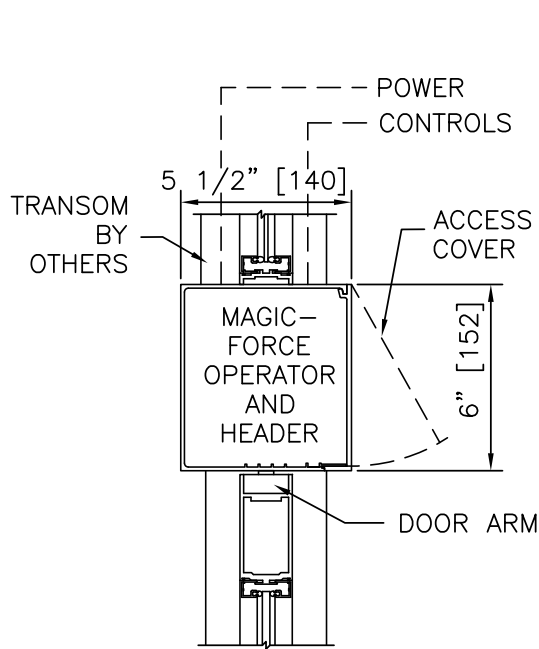
INTERIOR PLAN



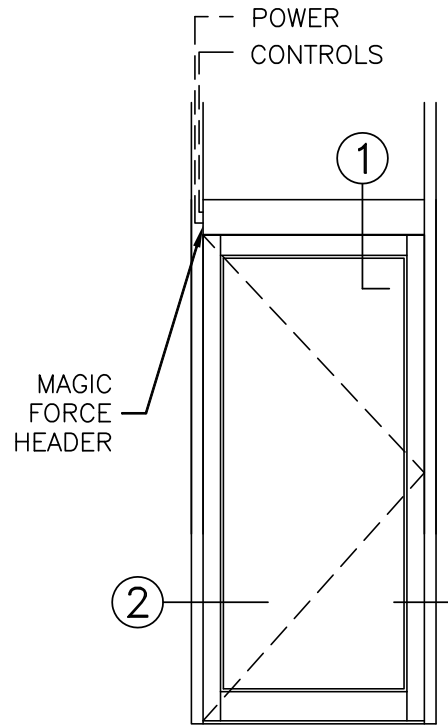
② HORIZONTAL SECTION

NOTES

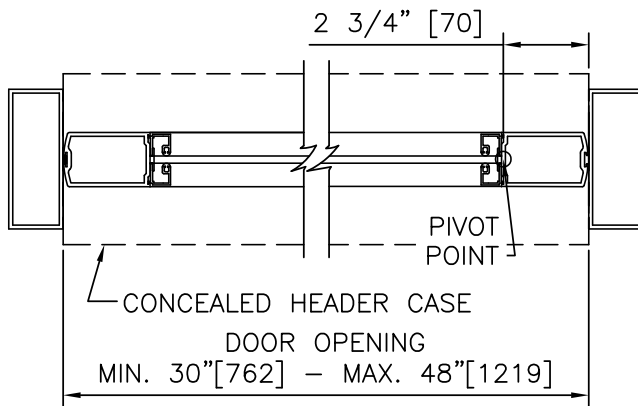
1. DETAILS NOT TO SCALE.
2. ELECTRICAL REQUIREMENTS: BY ELECTRICAL CONTRACTOR
  - 2.1 120 VAC, 5 AMP MIN TO OPERATOR.
  - 2.2 CONTROL CIRCUIT FROM ACTIVATION TO OPERATOR.
3. DOORS, FRAMES, AND HARDWARE BY OTHERS.
4. DOORS MUST BE UN-LATCHED FOR PROPER OPERATION. PROVIDE TIME DELAY RELAY WHEN REQUIRED FOR PROPER OPERATION.
5. OPERATOR AND INSTALLATION TO COMPLY WITH ANSI/BHMA A156.19.
6. SEE SPECIFICATIONS FOR ADDITIONAL INFORMATION.



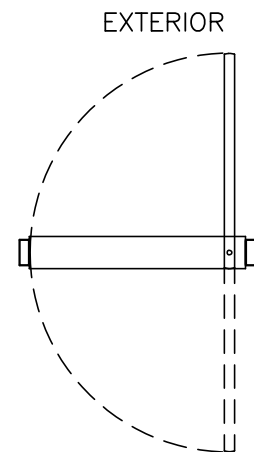
① CONCEALED VERTICAL SECTION



ELEVATION



② HORIZONTAL SECTION



INTERIOR PLAN

NOTES

1. DETAILS NOT TO SCALE.
2. ELECTRICAL REQUIREMENTS: BY ELECTRICAL CONTRACTOR
  - 2.1 120 VAC, 5 AMP MIN TO OPERATOR.
  - 2.2 CONTROL CIRCUIT FROM ACTIVATION TO OPERATOR.
3. DOORS, FRAMES, AND HARDWARE BY OTHERS.
4. DOORS MUST BE UN-LATCHED FOR PROPER OPERATION. PROVIDE TIME DELAY RELAY WHEN REQUIRED FOR PROPER OPERATION.
5. OPERATOR AND INSTALLATION TO COMPLY WITH ANSI/BHMA A156.19.
6. SEE SPECIFICATIONS FOR ADDITIONAL INFORMATION.



**MAGIC  
FORCE**

LOW ENERGY OPERATOR, AL FRAME, CONCEALED, LEFT HAND

PROJECT INFORMATION

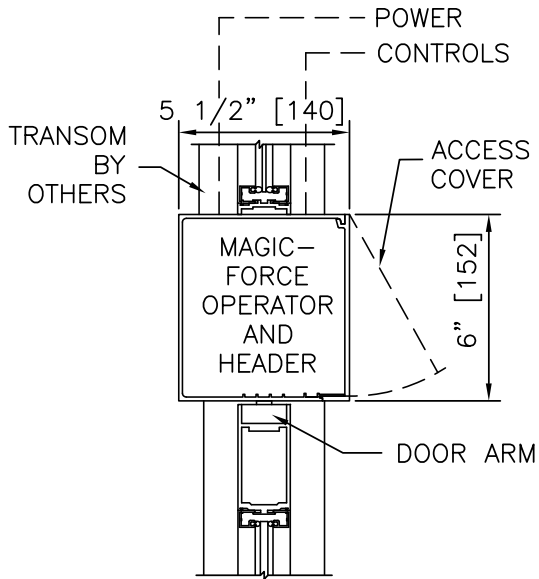
PROJECT NAME:

LOCATION:

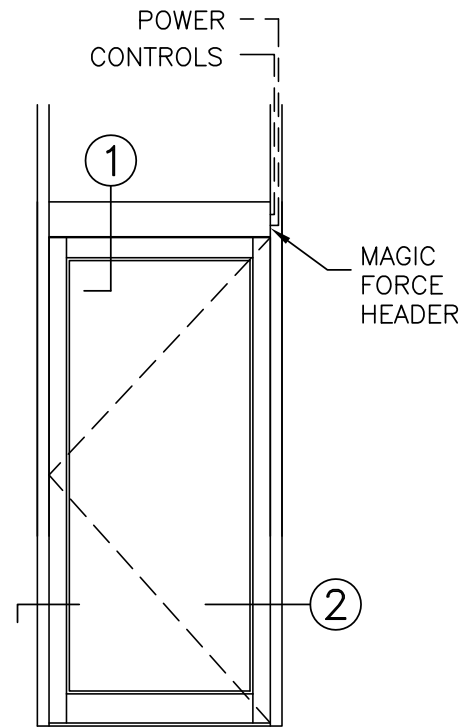
DOOR NUMBER(S):

DATE:

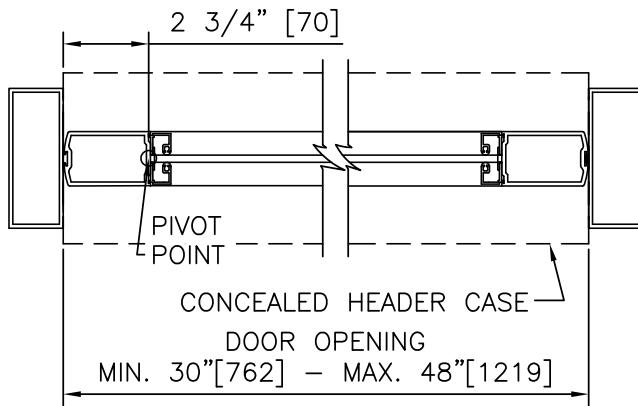
SHEET: OF



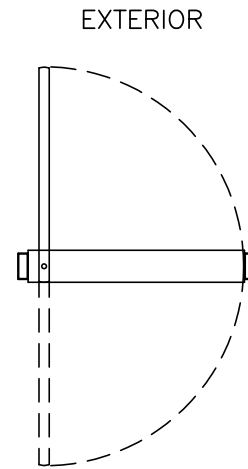
① CONCEALED  
VERTICAL SECTION



ELEVATION



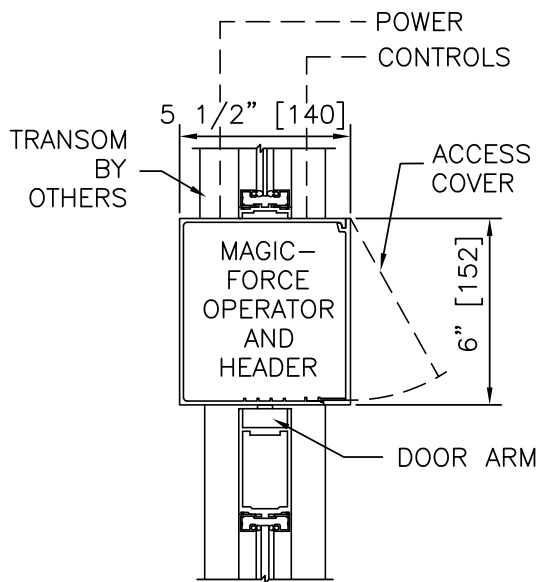
② HORIZONTAL SECTION



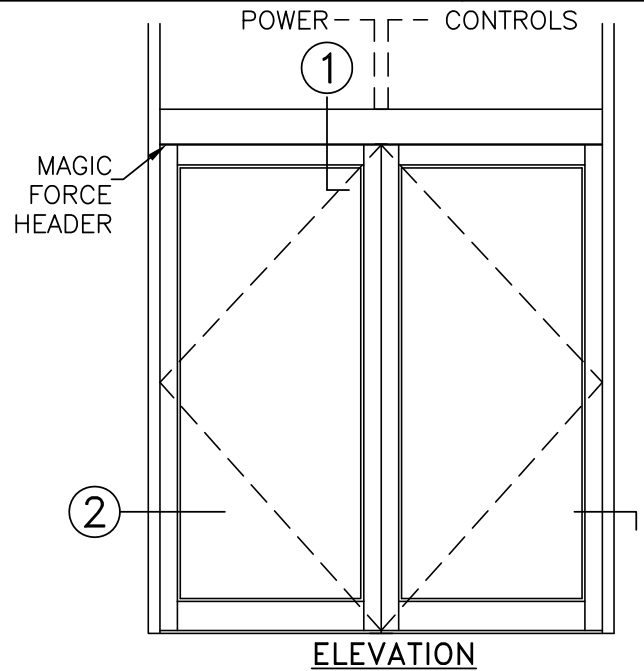
INTERIOR  
PLAN

NOTES

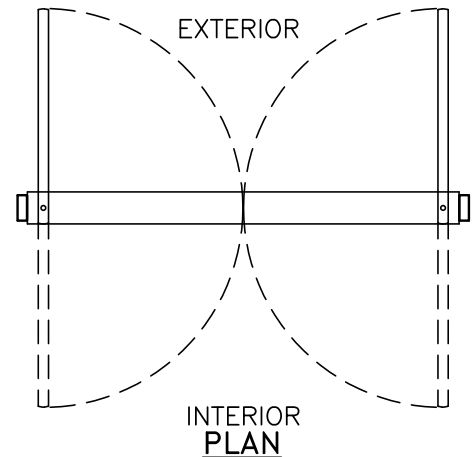
1. DETAILS NOT TO SCALE.
2. ELECTRICAL REQUIREMENTS: BY ELECTRICAL CONTRACTOR
  - 2.1 120 VAC, 5 AMP MIN TO OPERATOR.
  - 2.2 CONTROL CIRCUIT FROM ACTIVATION TO OPERATOR.
3. DOORS, FRAMES, AND HARDWARE BY OTHERS.
4. DOORS MUST BE UN-LATCHED FOR PROPER OPERATION. PROVIDE TIME DELAY RELAY WHEN REQUIRED FOR PROPER OPERATION.
5. OPERATOR AND INSTALLATION TO COMPLY WITH ANSI/BHMA A156.19.
6. SEE SPECIFICATIONS FOR ADDITIONAL INFORMATION.



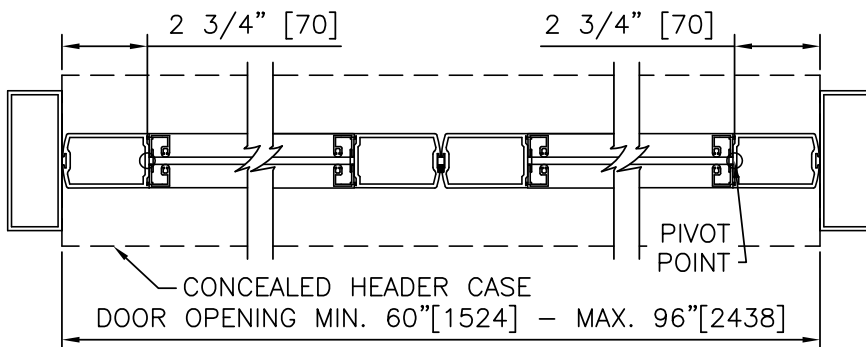
**1** CONCEALED VERTICAL SECTION



**ELEVATION**



**INTERIOR PLAN**



**2** HORIZONTAL SECTION

**NOTES**

1. DETAILS NOT TO SCALE.
2. ELECTRICAL REQUIREMENTS: BY ELECTRICAL CONTRACTOR
  - 2.1 120 VAC, 5 AMP MIN TO OPERATOR.
  - 2.2 CONTROL CIRCUIT FROM ACTIVATION TO OPERATOR.
3. DOORS, FRAMES, AND HARDWARE BY OTHERS.
4. DOORS MUST BE UN-LATCHED FOR PROPER OPERATION. PROVIDE TIME DELAY RELAY WHEN REQUIRED FOR PROPER OPERATION.
5. OPERATOR AND INSTALLATION TO COMPLY WITH ANSI/BHMA A156.19.
6. SEE SPECIFICATIONS FOR ADDITIONAL INFORMATION.