

STANLEY Security

ACCESS TECHNOLOGIES

MAGIC FORCE

LOW-ENERGY OPERATOR ON H.M./WOOD ALUMINUM DOOR & FRAME

PROJECT INFORMATION

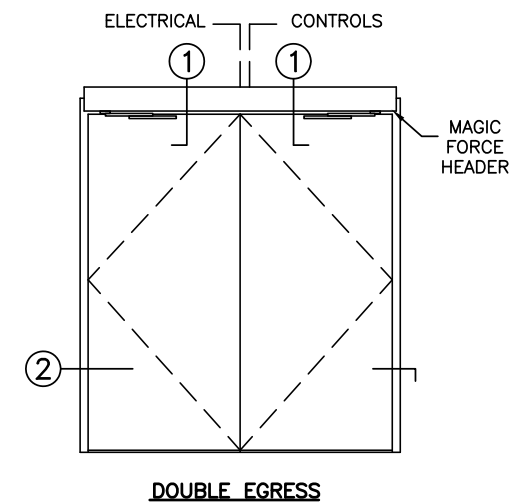
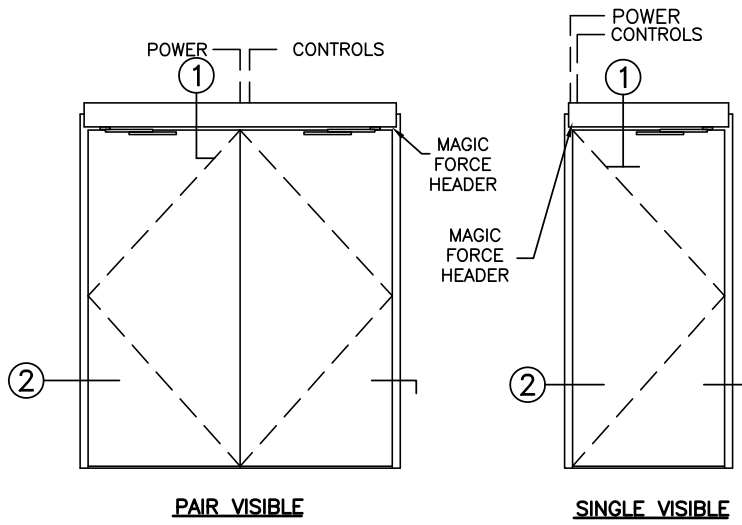
PROJECT NAME:

LOCATION:

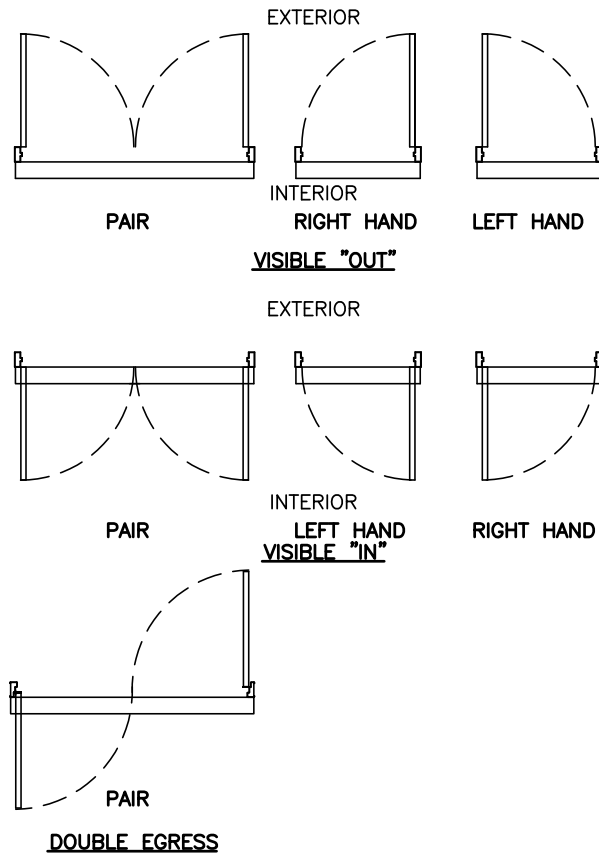
DOOR NUMBER(S):

DATE:

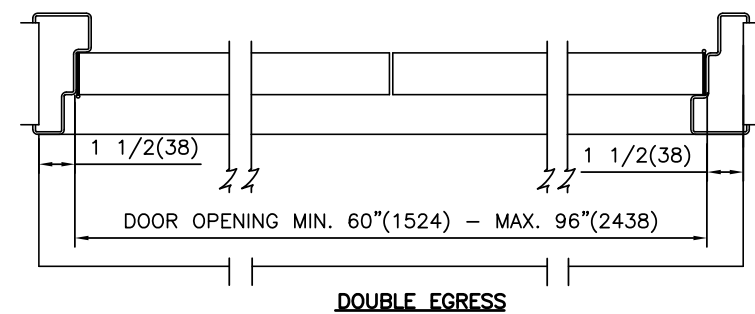
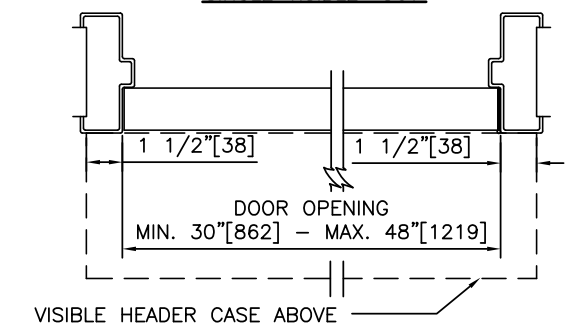
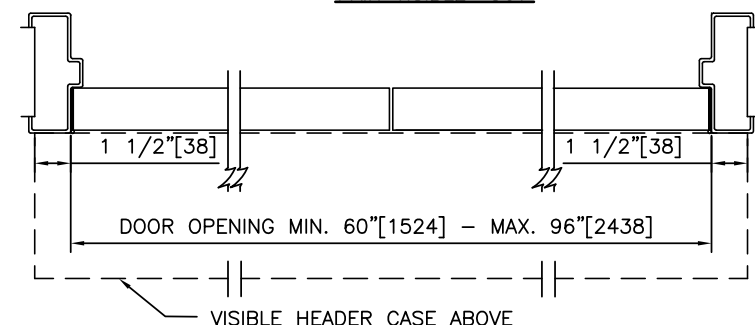
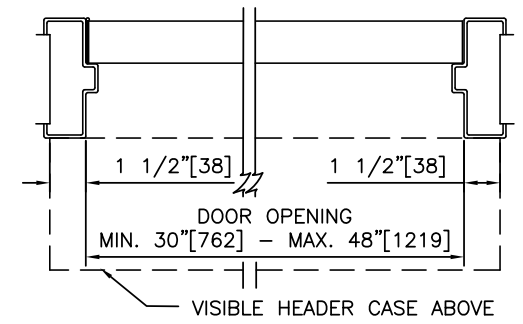
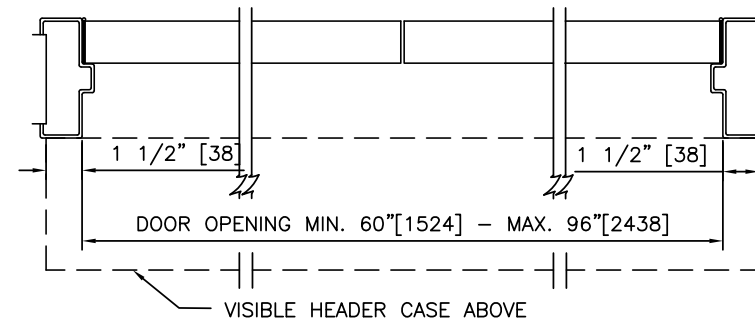
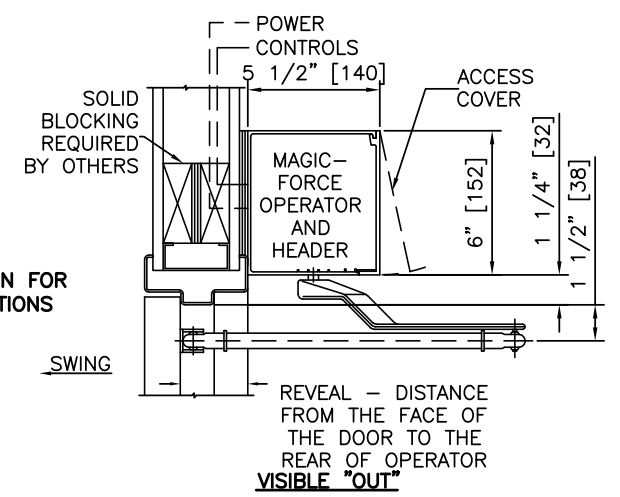
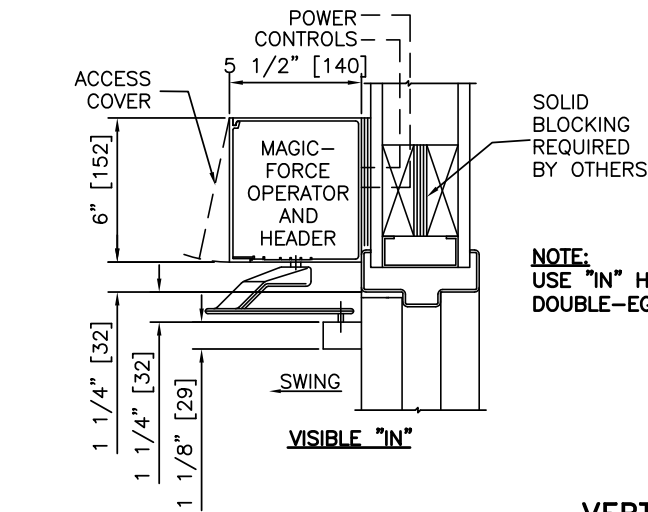
SHEET: OF



ELEVATIONS
SCALE: 1/4" = 1'-0"



PLAN VIEWS
SCALE: 3/16" = 1'-0"



2 HORIZONTAL SECTIONS
SCALE: 1 1/2" = 1'-0"

NOTES

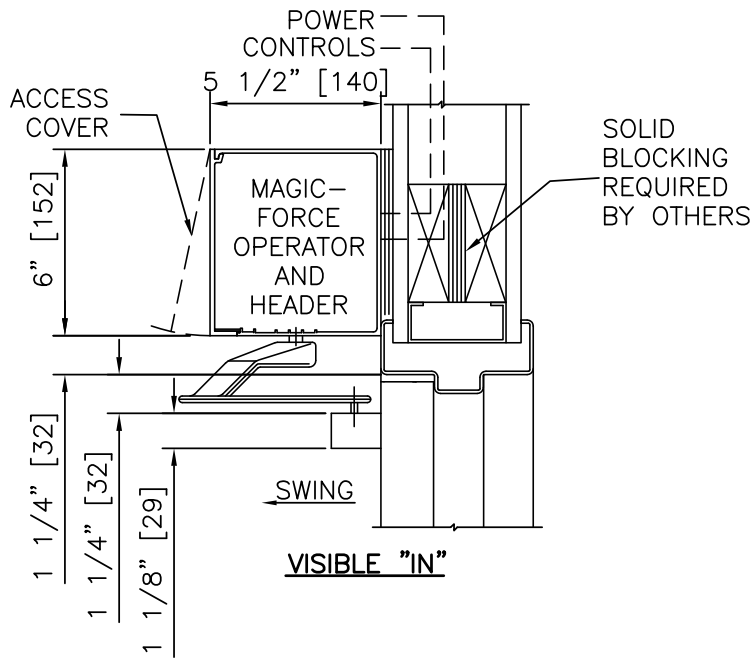
- ELECTRICAL REQUIREMENTS: BY ELECTRICAL CONTRACTOR
 - 1.1 120 VAC, 5 AMP MIN TO OPERATOR.
 - 1.2 CONTROL CIRCUIT FROM ACTIVATION TO OPERATOR.
- DOORS, FRAMES, AND HARDWARE BY OTHERS.
- DOORS MUST BE UN-LATCHED FOR PROPER OPERATION. PROVIDE TIME DELAY RELAY WHEN REQUIRED FOR PROPER OPERATION.
- OPERATOR AND INSTALLATION TO COMPLY WITH ANSI/BHMA A156.19.
- SEE SPECIFICATIONS FOR ADDITIONAL INFORMATION.

LOW-ENERGY OPERATOR ON H.M./WOOD ALUMINUM DOOR & FRAME

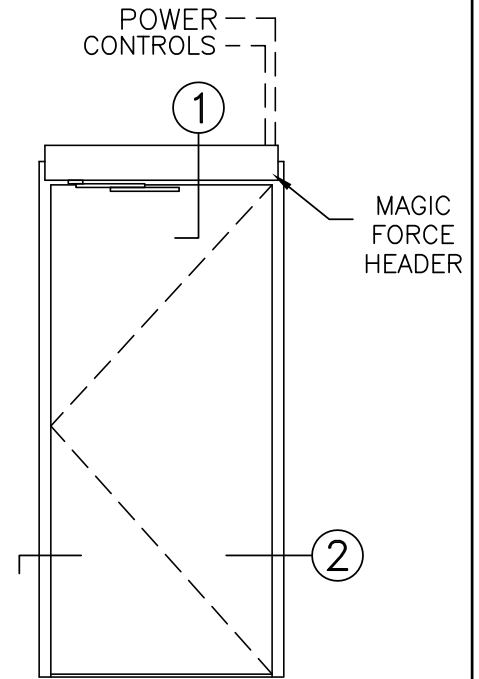
MAGIC FORCE

STANLEY Security

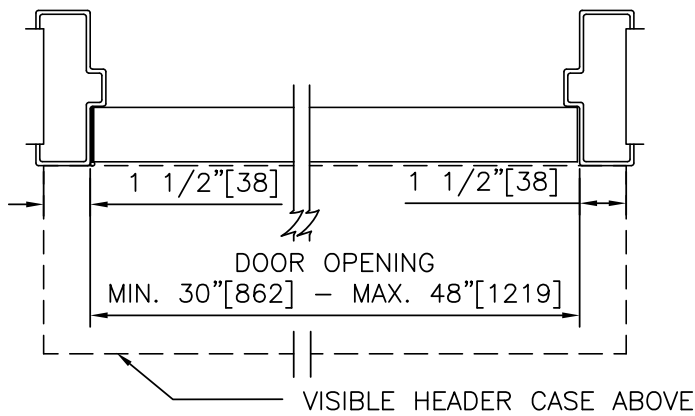
ACCESS TECHNOLOGIES



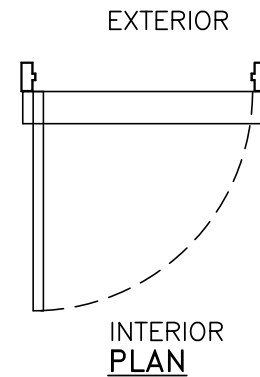
① VERTICAL SECTION



ELEVATION

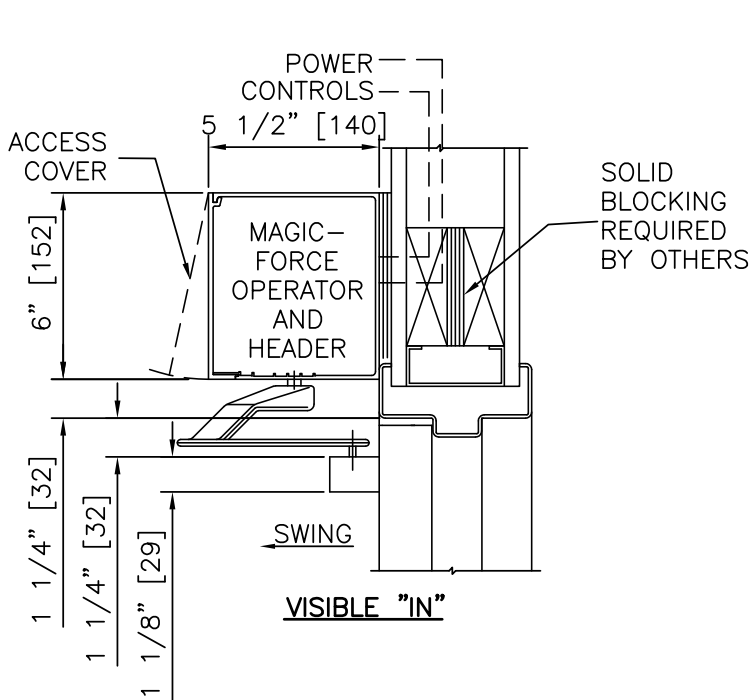


② HORIZONTAL SECTION

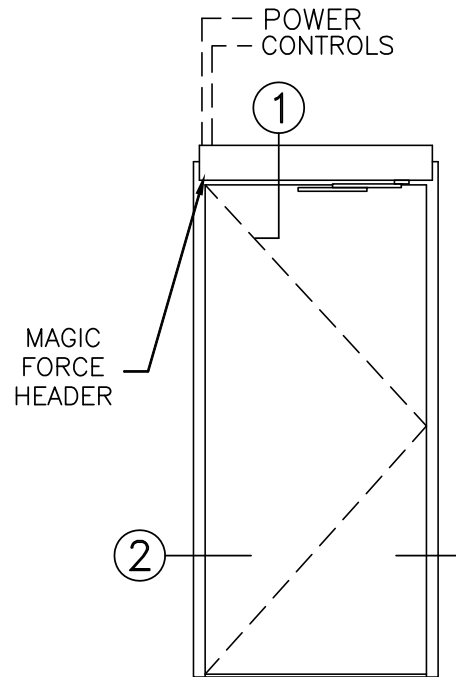


NOTES

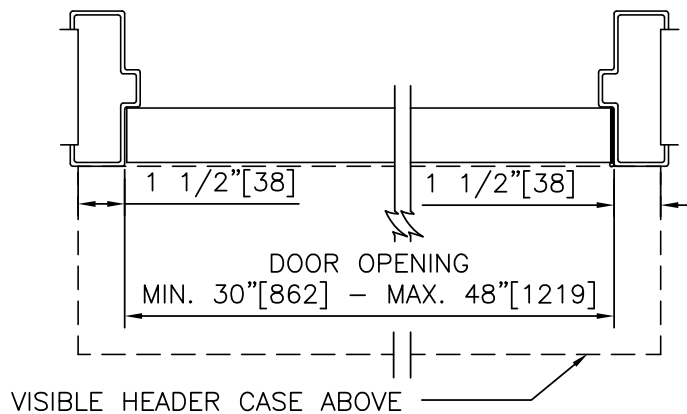
1. DETAILS NOT TO SCALE.
2. ELECTRICAL REQUIREMENTS: BY ELECTRICAL CONTRACTOR
 - 2.1 120 VAC, 5 AMP MIN TO OPERATOR.
 - 2.2 CONTROL CIRCUIT FROM ACTIVATION TO OPERATOR.
3. DOORS, FRAMES, AND HARDWARE BY OTHERS.
4. DOORS MUST BE UN-LATCHED FOR PROPER OPERATION. PROVIDE TIME DELAY RELAY WHEN REQUIRED FOR PROPER OPERATION.
5. OPERATOR AND INSTALLATION TO COMPLY WITH ANSI/BHMA A156.19.
6. SEE SPECIFICATIONS FOR ADDITIONAL INFORMATION.



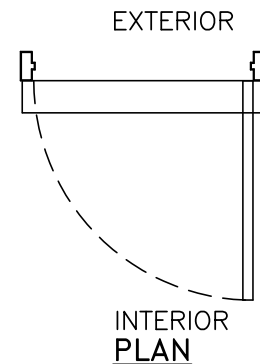
① VERTICAL SECTION



ELEVATION



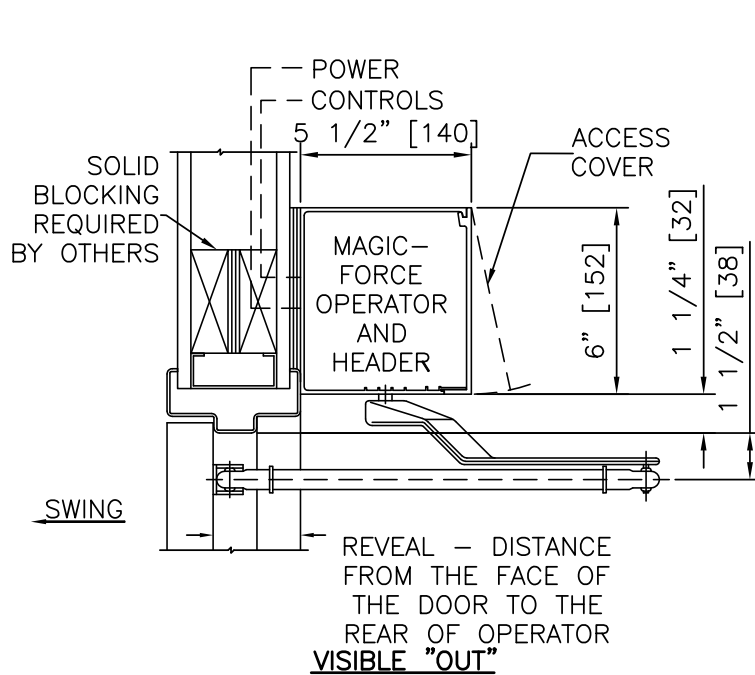
② HORIZONTAL SECTION



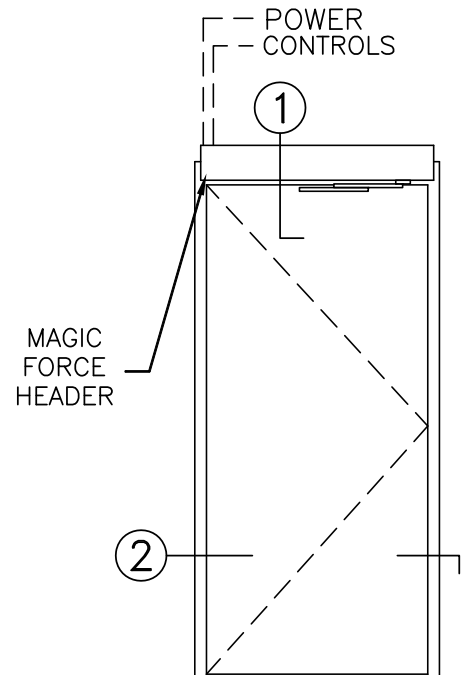
NOTES

1. DETAILS NOT TO SCALE.
2. ELECTRICAL REQUIREMENTS: BY ELECTRICAL CONTRACTOR
 - 2.1 120 VAC, 5 AMP MIN TO OPERATOR.
 - 2.2 CONTROL CIRCUIT FROM ACTIVATION TO OPERATOR.
3. DOORS, FRAMES, AND HARDWARE BY OTHERS.
4. DOORS MUST BE UN-LATCHED FOR PROPER OPERATION. PROVIDE TIME DELAY RELAY WHEN REQUIRED FOR PROPER OPERATION.
5. OPERATOR AND INSTALLATION TO COMPLY WITH ANSI/BHMA A156.19.
6. SEE SPECIFICATIONS FOR ADDITIONAL INFORMATION.

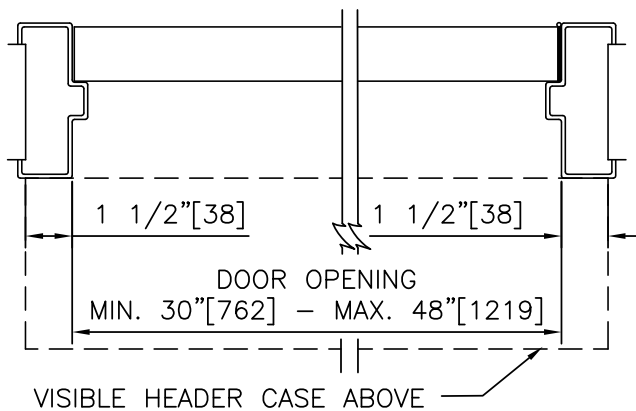
MAGIC FORCE



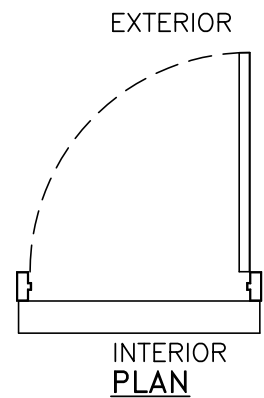
① VERTICAL SECTION



ELEVATION



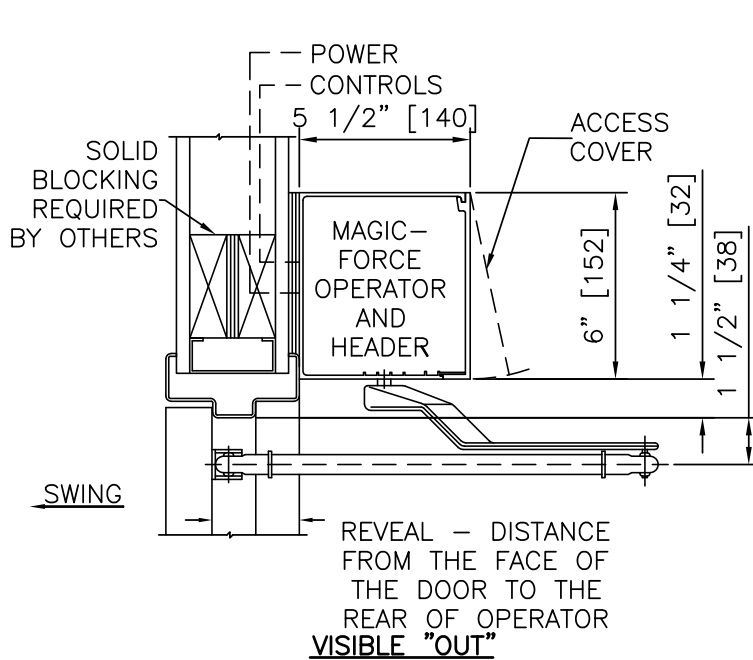
② HORIZONTAL SECTION



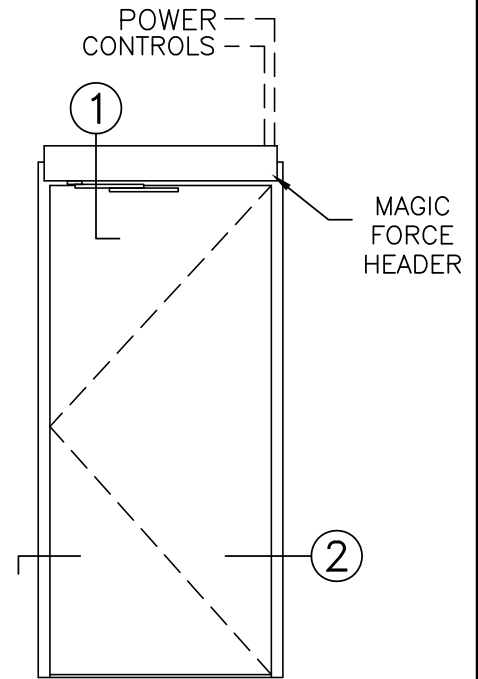
NOTES

1. DETAILS NOT TO SCALE.
2. ELECTRICAL REQUIREMENTS: BY ELECTRICAL CONTRACTOR
 - 2.1 120 VAC, 5 AMP MIN TO OPERATOR.
 - 2.2 CONTROL CIRCUIT FROM ACTIVATION TO OPERATOR.
3. DOORS, FRAMES, AND HARDWARE BY OTHERS.
4. DOORS MUST BE UN-LATCHED FOR PROPER OPERATION. PROVIDE TIME DELAY RELAY WHEN REQUIRED FOR PROPER OPERATION.
5. OPERATOR AND INSTALLATION TO COMPLY WITH ANSI/BHMA A156.19.
6. SEE SPECIFICATIONS FOR ADDITIONAL INFORMATION.

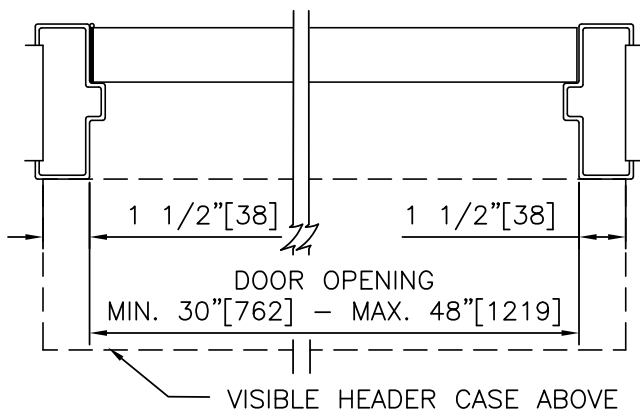
**MAGIC
FORCE**



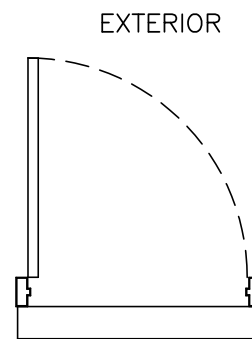
① VERTICAL SECTION



ELEVATION



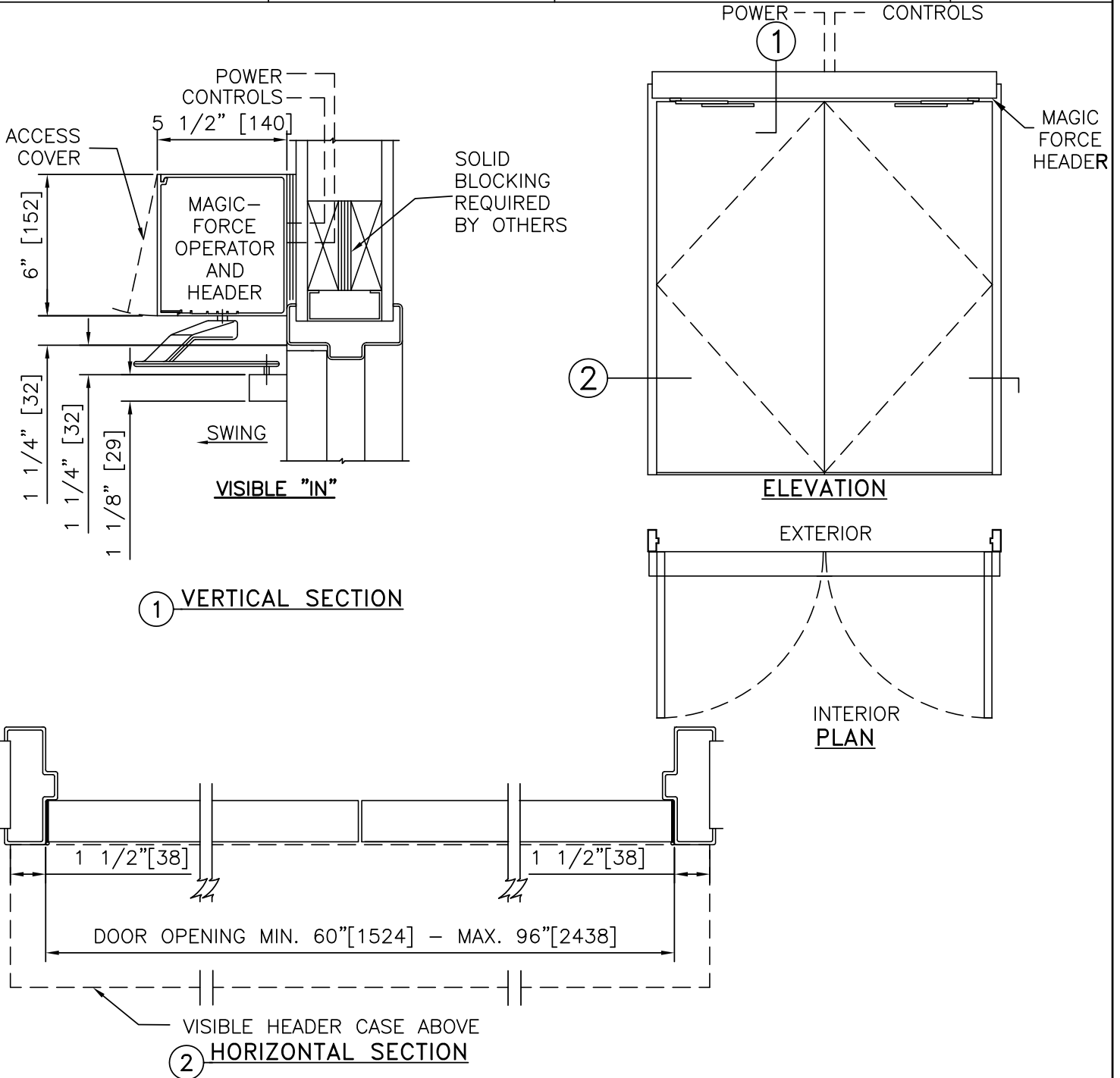
② HORIZONTAL SECTION



INTERIOR PLAN

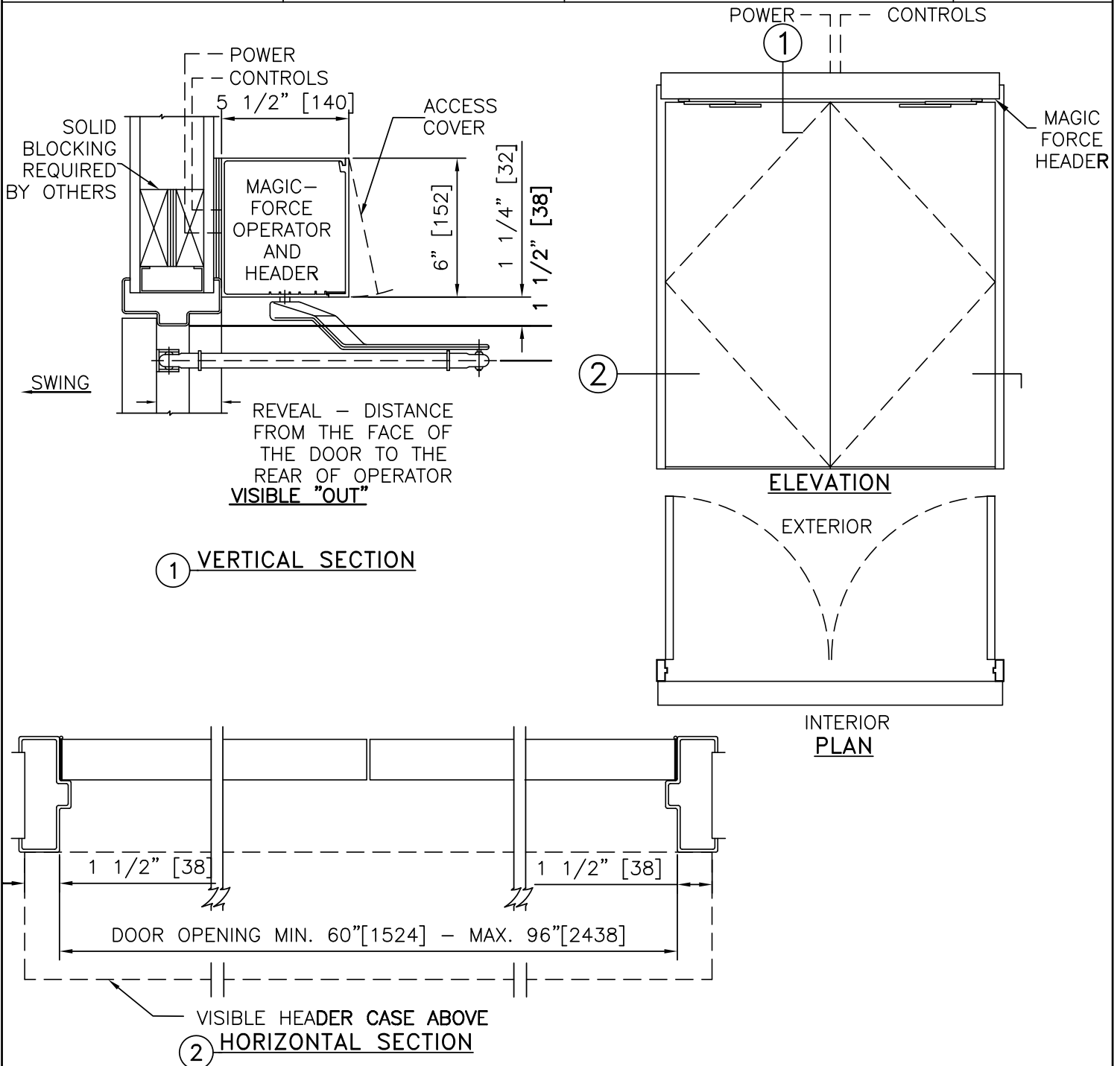
NOTES

1. DETAILS NOT TO SCALE.
2. ELECTRICAL REQUIREMENTS: BY ELECTRICAL CONTRACTOR
 - 2.1 120 VAC, 5 AMP MIN TO OPERATOR.
 - 2.2 CONTROL CIRCUIT FROM ACTIVATION TO OPERATOR.
3. DOORS, FRAMES, AND HARDWARE BY OTHERS.
4. DOORS MUST BE UN-LATCHED FOR PROPER OPERATION. PROVIDE TIME DELAY RELAY WHEN REQUIRED FOR PROPER OPERATION.
5. OPERATOR AND INSTALLATION TO COMPLY WITH ANSI/BHMA A156.19.
6. SEE SPECIFICATIONS FOR ADDITIONAL INFORMATION.



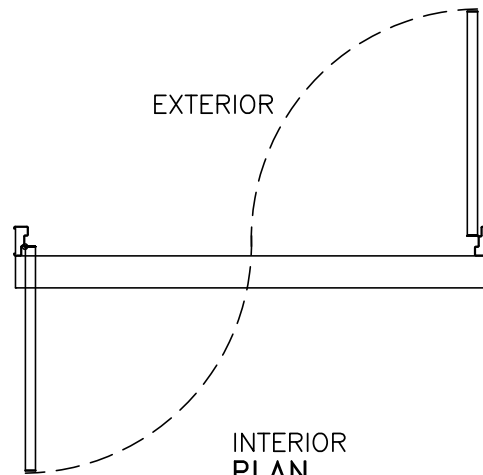
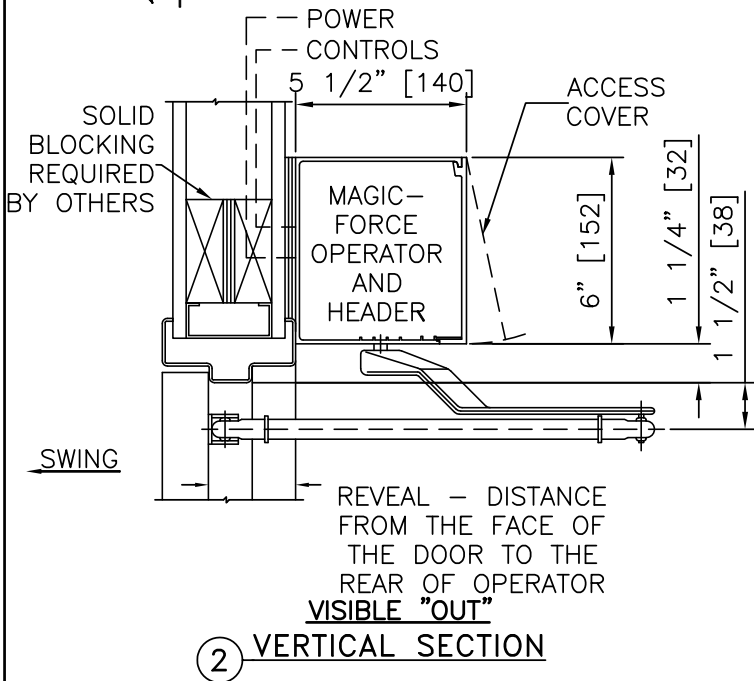
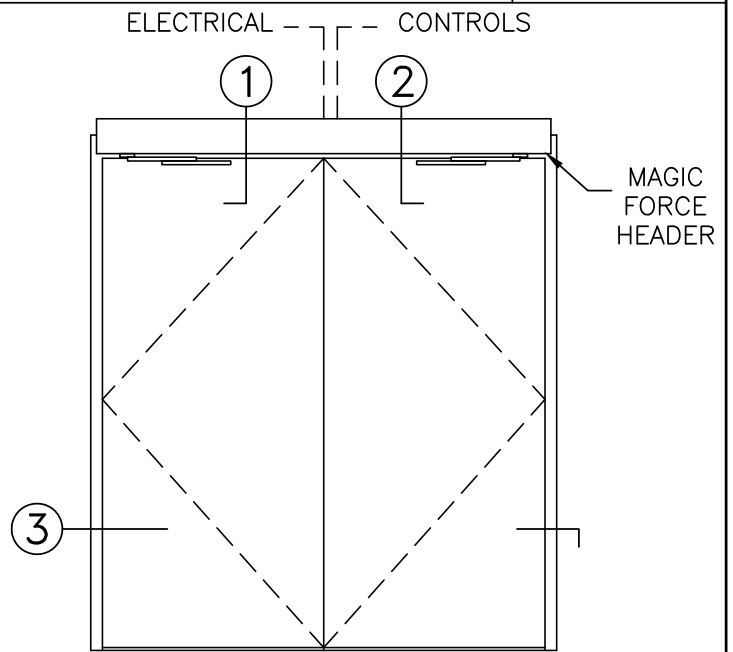
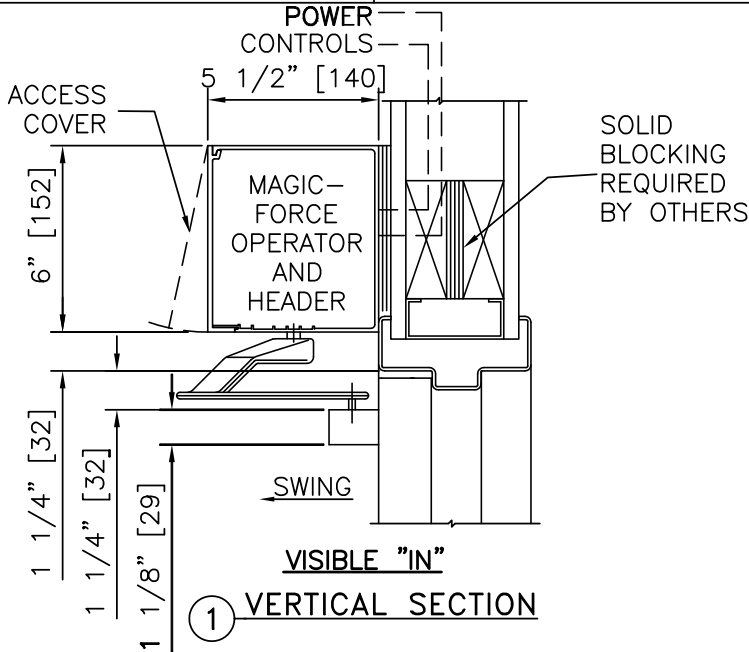
NOTES

1. DETAILS NOT TO SCALE.
2. ELECTRICAL REQUIREMENTS: BY ELECTRICAL CONTRACTOR
 - 2.1 120 VAC, 5 AMP MIN TO OPERATOR.
 - 2.2 CONTROL CIRCUIT FROM ACTIVATION TO OPERATOR.
3. DOORS, FRAMES, AND HARDWARE BY OTHERS.
4. DOORS MUST BE UN-LATCHED FOR PROPER OPERATION. PROVIDE TIME DELAY RELAY WHEN REQUIRED FOR PROPER OPERATION.
5. OPERATOR AND INSTALLATION TO COMPLY WITH ANSI/BHMA A156.19.
6. SEE SPECIFICATIONS FOR ADDITIONAL INFORMATION.



NOTES

1. DETAILS NOT TO SCALE.
2. ELECTRICAL REQUIREMENTS: BY ELECTRICAL CONTRACTOR
 - 2.1 120 VAC, 5 AMP MIN TO OPERATOR.
 - 2.2 CONTROL CIRCUIT FROM ACTIVATION TO OPERATOR.
3. DOORS, FRAMES, AND HARDWARE BY OTHERS.
4. DOORS MUST BE UN-LATCHED FOR PROPER OPERATION. PROVIDE TIME DELAY RELAY WHEN REQUIRED FOR PROPER OPERATION.
5. OPERATOR AND INSTALLATION TO COMPLY WITH ANSI/BHMA A156.19.
6. SEE SPECIFICATIONS FOR ADDITIONAL INFORMATION.



NOTES

1. DETAILS NOT TO SCALE.
2. ELECTRICAL REQUIREMENTS: BY ELECTRICAL CONTRACTOR
 - 2.1 120 VAC, 5 AMP MIN TO OPERATOR.
 - 2.2 CONTROL CIRCUIT FROM ACTIVATION TO OPERATOR.
3. DOORS, FRAMES, AND HARDWARE BY OTHERS.
4. DOORS MUST BE UN-LATCHED FOR PROPER OPERATION. PROVIDE TIME DELAY RELAY WHEN REQUIRED FOR PROPER OPERATION.
5. OPERATOR AND INSTALLATION TO COMPLY WITH ANSI/BHMA A156.19.
6. SEE SPECIFICATIONS FOR ADDITIONAL INFORMATION.

