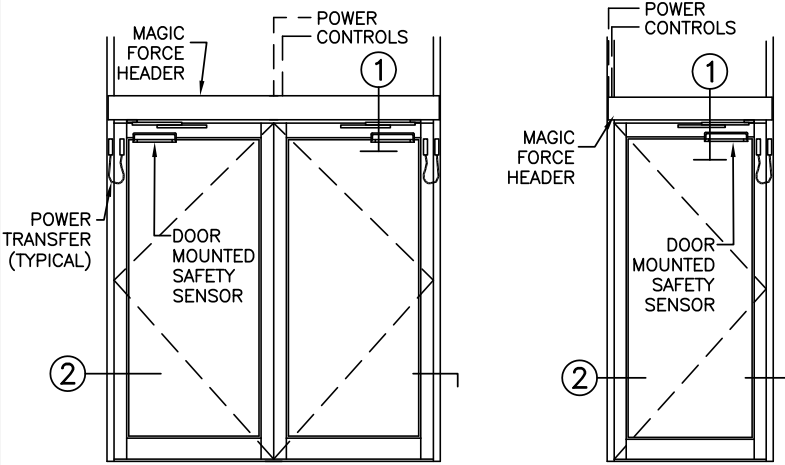


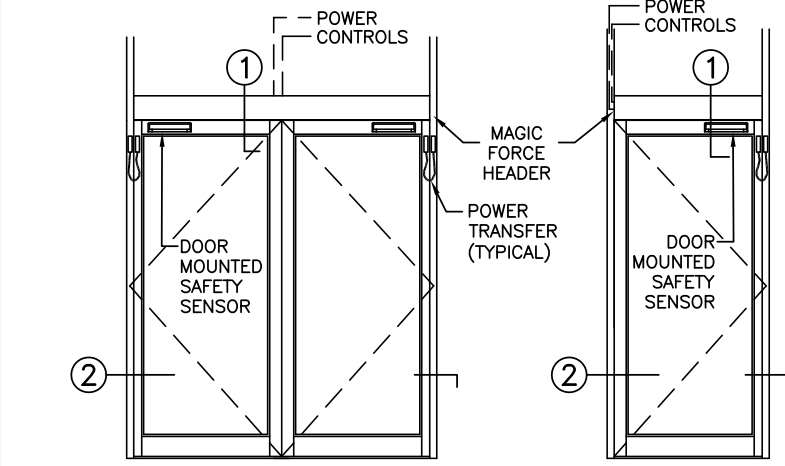


MAGIC-FORCE™ WITH SWING-GUARD® LE

LOW ENERGY OPERATOR ON ALUMINUM DOOR & FRAME	
PROJECT INFORMATION	
PROJECT NAME:	
LOCATION:	
DOOR NUMBER(S):	
DATE:	SHEET: OF

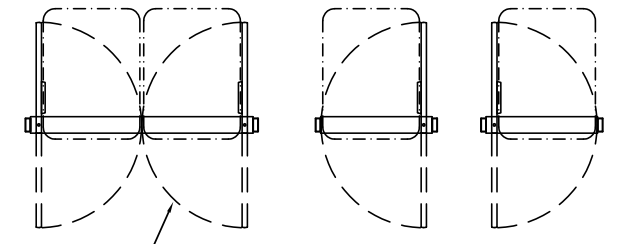
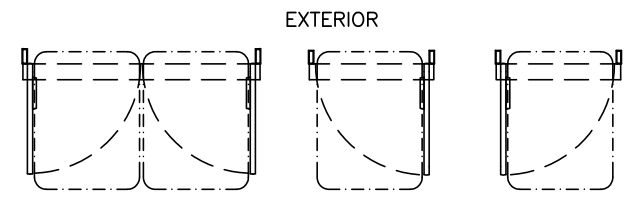
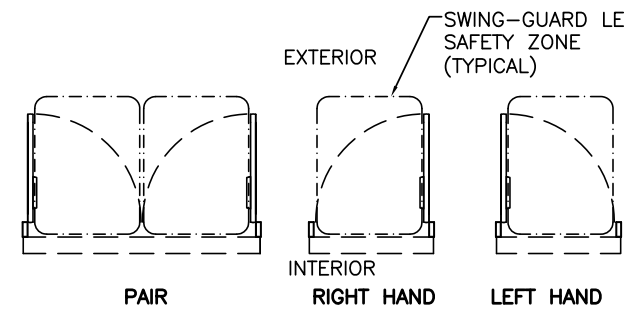


PAIR VISIBLE **SINGLE VISIBLE**

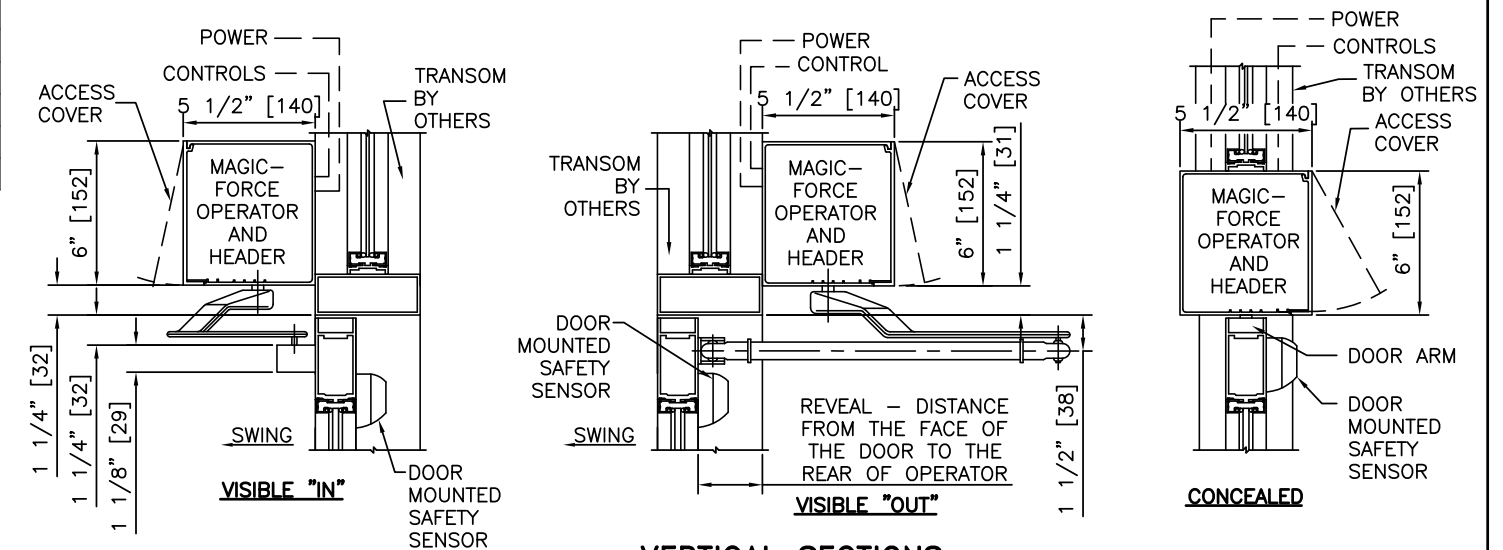


PAIR CONCEALED **SINGLE CONCEALED**

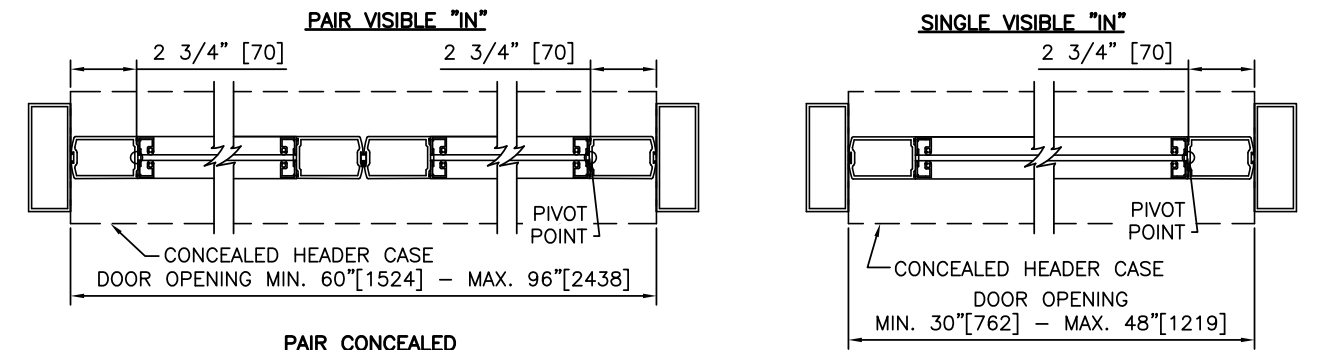
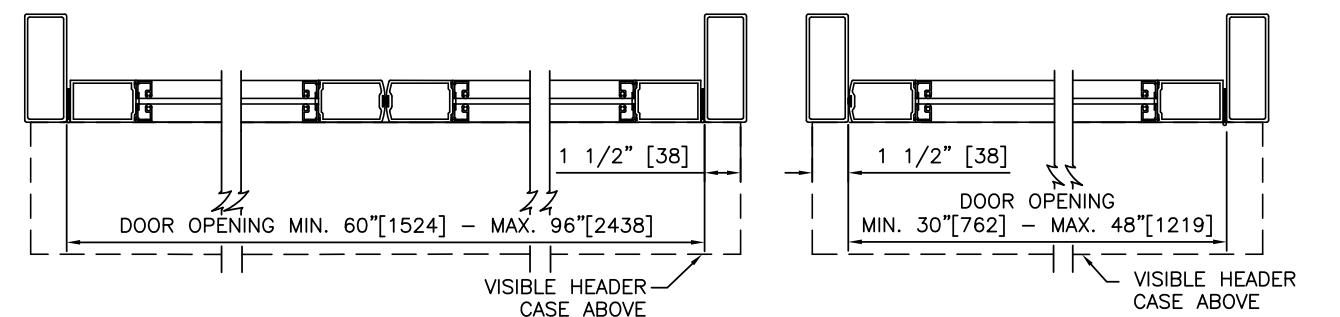
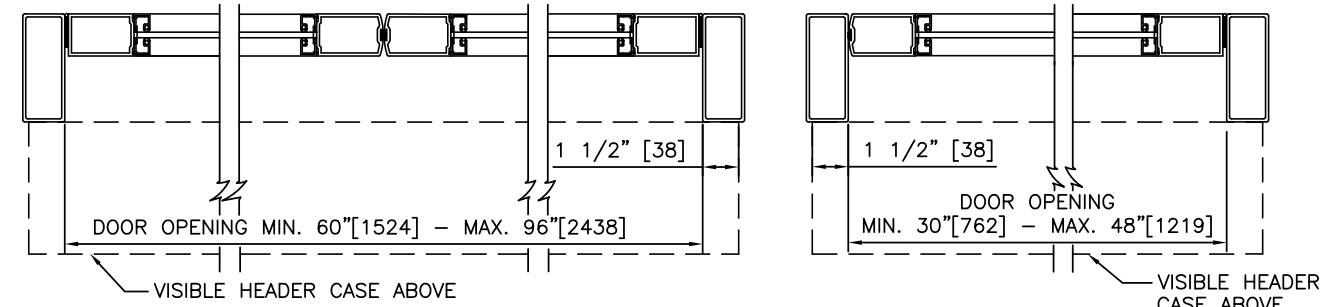
ELEVATIONS
SCALE: 1/4" = 1'-0"



PLAN VIEWS
SCALE: 3/16" = 1'-0"



VERTICAL SECTIONS
SCALE: 1 1/2" = 1'-0"



HORIZONTAL SECTIONS
SCALE: 1 1/2" = 1'-0"

- NOTES**
- ELECTRICAL REQUIREMENTS: BY ELECTRICAL CONTRACTOR
 - 1.1 120 VAC, 5 AMP MIN TO OPERATOR.
 - 1.2 CONTROL CIRCUIT FROM ACTIVATION TO OPERATOR.
 - DOORS, FRAMES, AND HARDWARE BY OTHERS.
 - DOORS MUST BE UN-LATCHED FOR PROPER OPERATION. PROVIDE TIME DELAY RELAY WHEN REQUIRED FOR PROPER OPERATION.
 - LIMITS OF SAFETY ZONES ARE PROVIDED FOR REFERENCE ONLY.
 - OPERATOR AND INSTALLATION TO COMPLY WITH ANSI/BHMA A156.10.
 - SEE SPECIFICATIONS FOR ADDITIONAL INFORMATION.

LOW ENERGY OPERATOR ON ALUMINUM DOOR & FRAME	
MAGIC-FORCE™ WITH SWING-GUARD® LE	STANLEY Security ACCESS TECHNOLOGIES

**MAGIC-FORCE™
WITH
SWING-GUARD® LE**

LOW ENERGY OPERATOR, AL FRAME, VISIBLE, RIGHT HAND IN

PROJECT INFORMATION

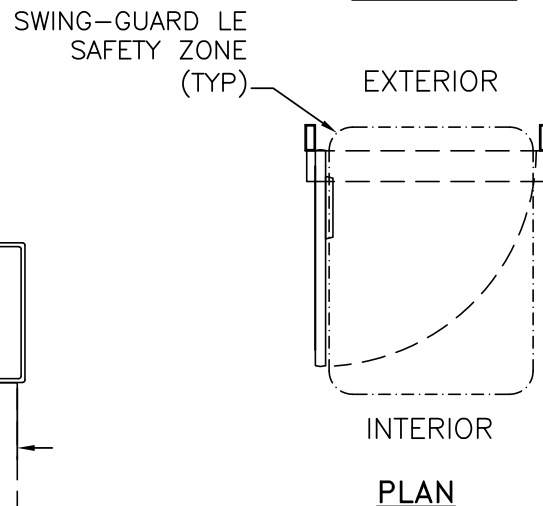
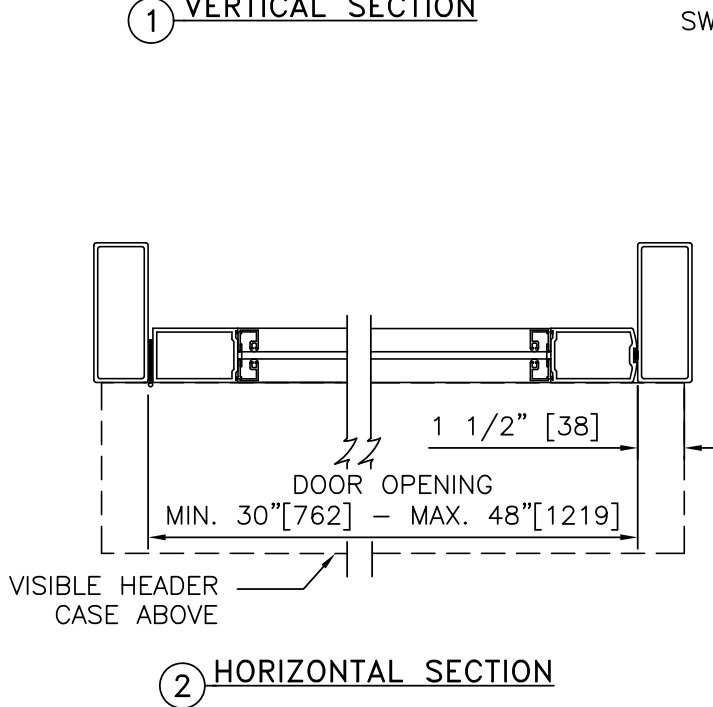
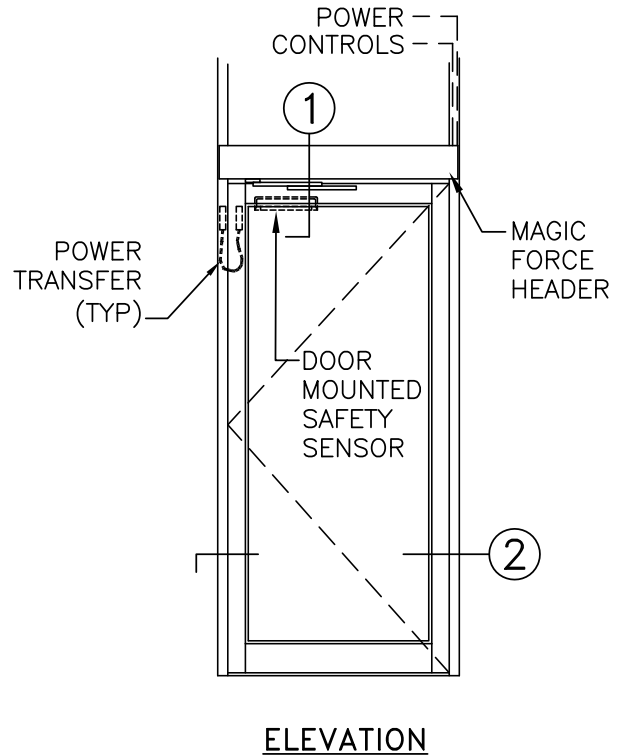
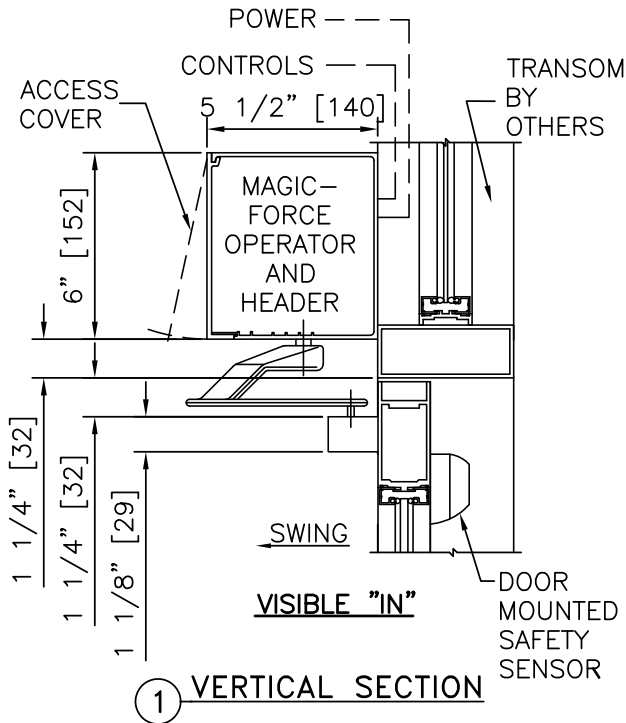
PROJECT NAME:

LOCATION:

DOOR NUMBER(S):

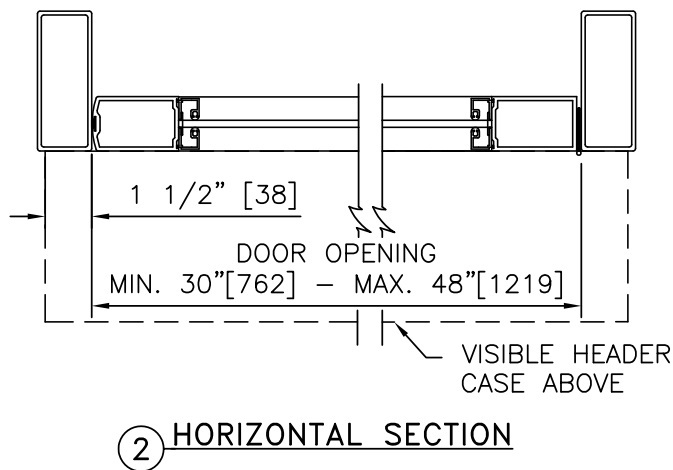
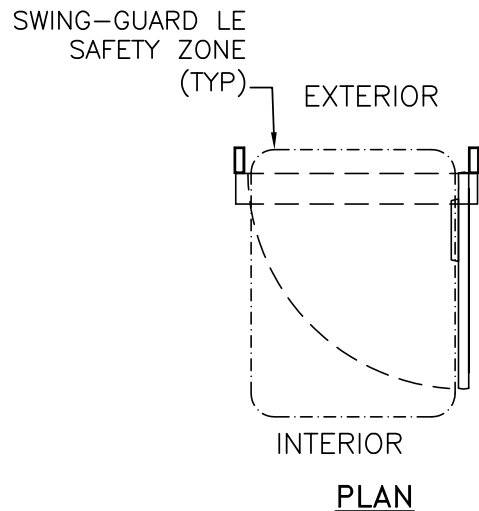
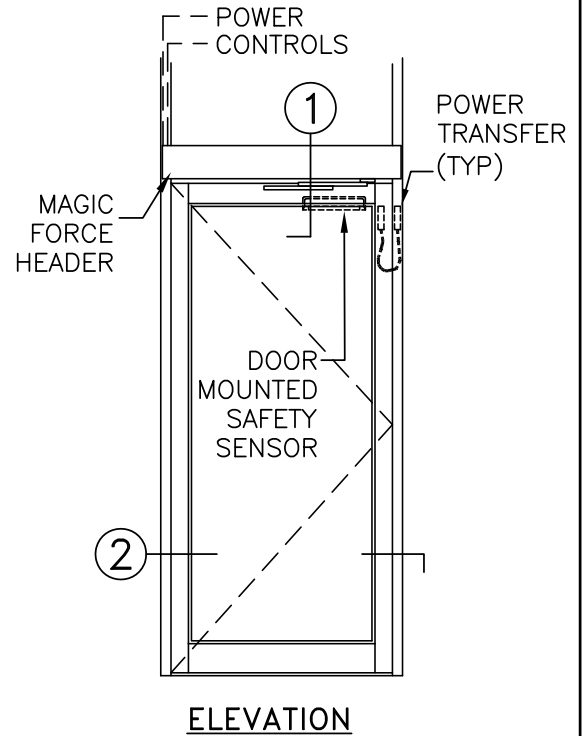
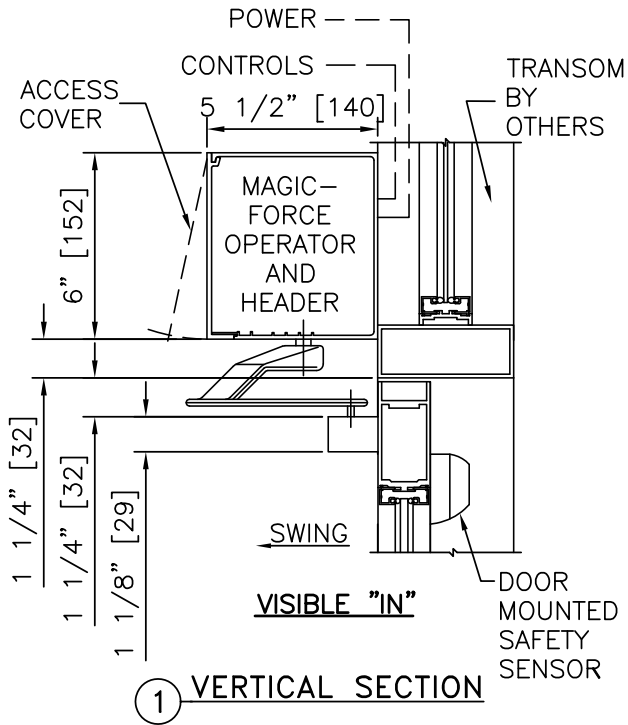
DATE:

SHEET: OF



NOTES:

1. DETAILS NOT TO SCALE.
2. ELECTRICAL REQUIREMENTS: BY ELECTRICAL CONTRACTOR
 - 2.1 120 VAC, 5 AMP MIN TO OPERATOR.
 - 2.2 CONTROL CIRCUIT FROM ACTIVATION TO OPERATOR.
3. DOORS, FRAMES, AND HARDWARE BY OTHERS.
4. DOORS MUST BE UN-LATCHED FOR PROPER OPERATION. PROVIDE TIME DELAY RELAY WHEN REQUIRED FOR PROPER OPERATION.
5. LIMITS OF SAFETY ZONES ARE PROVIDED FOR REFERENCE ONLY.
6. OPERATOR AND INSTALLATION TO COMPLY WITH ANSI/BHMA A156.10.
7. SEE SPECIFICATIONS FOR ADDITIONAL INFORMATION.



NOTES:

1. DETAILS NOT TO SCALE.
2. ELECTRICAL REQUIREMENTS: BY ELECTRICAL CONTRACTOR
 - 2.1 120 VAC, 5 AMP MIN TO OPERATOR.
 - 2.2 CONTROL CIRCUIT FROM ACTIVATION TO OPERATOR.
3. DOORS, FRAMES, AND HARDWARE BY OTHERS.
4. DOORS MUST BE UN-LATCHED FOR PROPER OPERATION. PROVIDE TIME DELAY RELAY WHEN REQUIRED FOR PROPER OPERATION.
5. LIMITS OF SAFETY ZONES ARE PROVIDED FOR REFERENCE ONLY.
6. OPERATOR AND INSTALLATION TO COMPLY WITH ANSI/BHMA A156.10.
7. SEE SPECIFICATIONS FOR ADDITIONAL INFORMATION.

**MAGIC-FORCE™
WITH
SWING-GUARD® LE**

LOW ENERGY OPERATOR, AL FRAME, VISIBLE, RIGHT HAND OUT

PROJECT INFORMATION

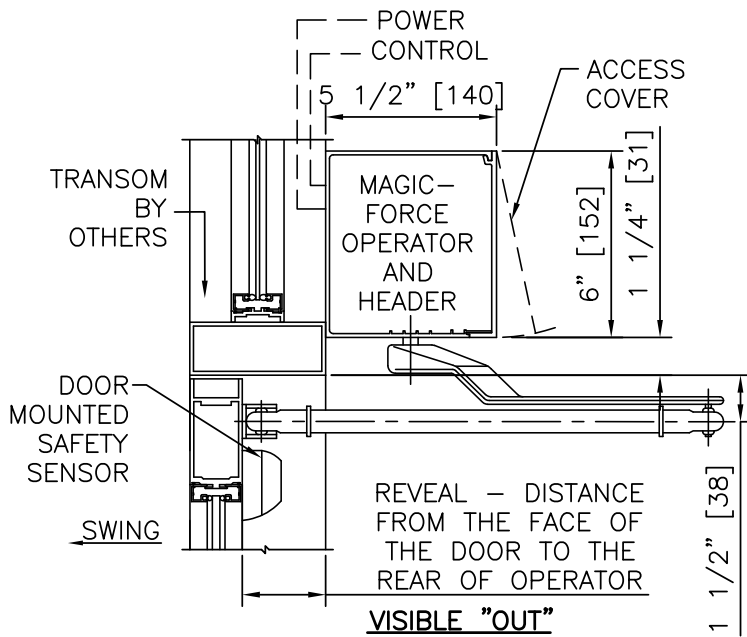
PROJECT NAME:

LOCATION:

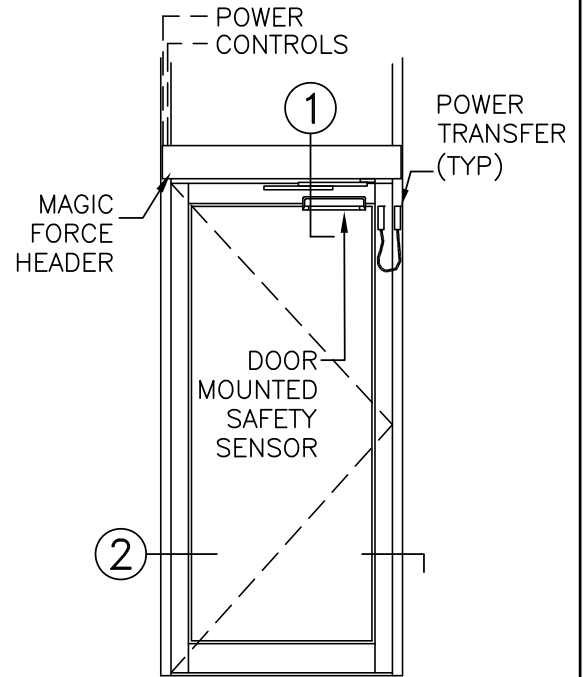
DOOR NUMBER(S):

DATE:

SHEET: OF

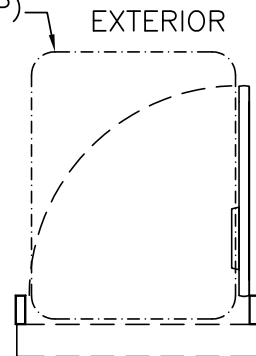


① VERTICAL SECTION

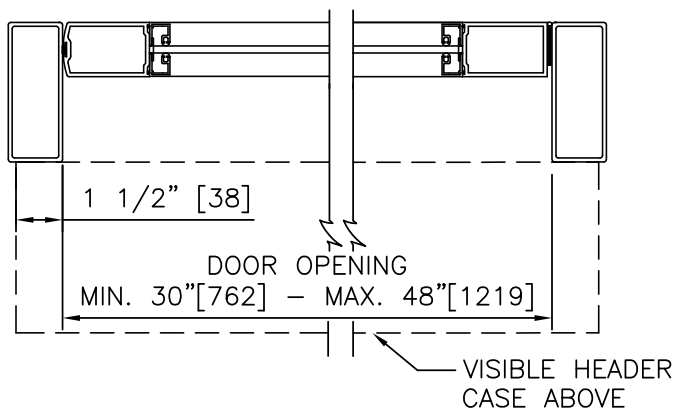


ELEVATION

SWING-GUARD LE
SAFETY ZONE
(TYP)



INTERIOR
PLAN



② HORIZONTAL SECTION

NOTES:

1. DETAILS NOT TO SCALE.
2. ELECTRICAL REQUIREMENTS: BY ELECTRICAL CONTRACTOR
 - 2.1 120 VAC, 5 AMP MIN TO OPERATOR.
 - 2.2 CONTROL CIRCUIT FROM ACTIVATION TO OPERATOR.
3. DOORS, FRAMES, AND HARDWARE BY OTHERS.
4. DOORS MUST BE UN-LATCHED FOR PROPER OPERATION. PROVIDE TIME DELAY RELAY WHEN REQUIRED FOR PROPER OPERATION.
5. LIMITS OF SAFETY ZONES ARE PROVIDED FOR REFERENCE ONLY.
6. OPERATOR AND INSTALLATION TO COMPLY WITH ANSI/BHMA A156.10.
7. SEE SPECIFICATIONS FOR ADDITIONAL INFORMATION.

**MAGIC-FORCE™
WITH
SWING-GUARD® LE**

LOW ENERGY OPERATOR, AL FRAME, VISIBLE, LEFT HAND OUT

PROJECT INFORMATION

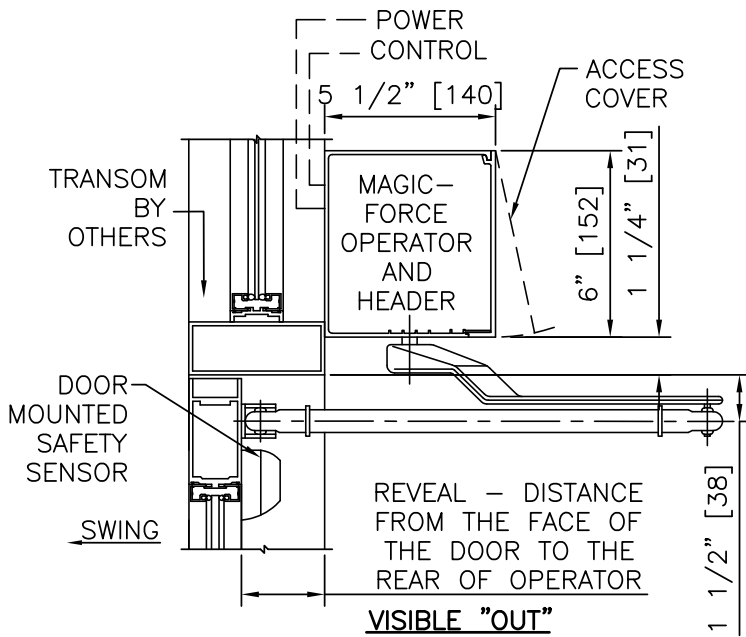
PROJECT NAME:

LOCATION:

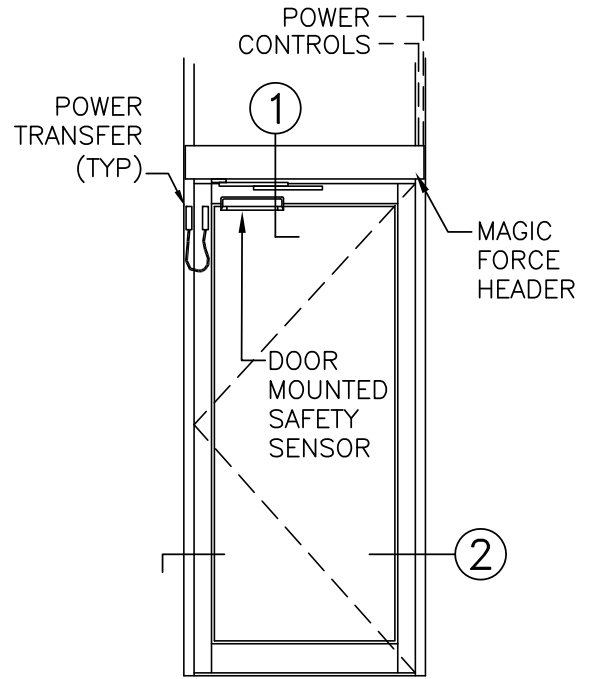
DOOR NUMBER(S):

DATE:

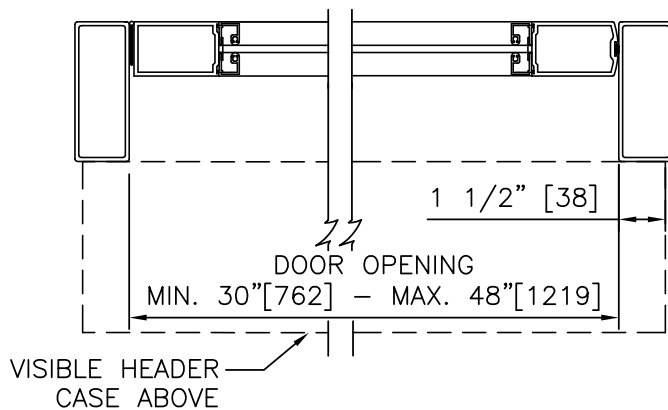
SHEET: OF



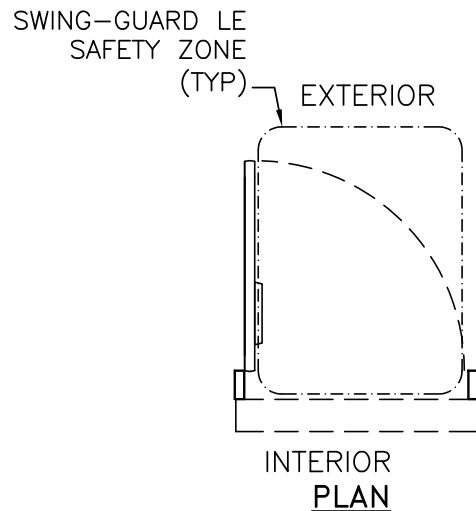
① VERTICAL SECTION



ELEVATION



② HORIZONTAL SECTION



NOTES:

1. DETAILS NOT TO SCALE.
2. ELECTRICAL REQUIREMENTS: BY ELECTRICAL CONTRACTOR
 - 2.1 120 VAC, 5 AMP MIN TO OPERATOR.
 - 2.2 CONTROL CIRCUIT FROM ACTIVATION TO OPERATOR.
3. DOORS, FRAMES, AND HARDWARE BY OTHERS.
4. DOORS MUST BE UN-LATCHED FOR PROPER OPERATION. PROVIDE TIME DELAY RELAY WHEN REQUIRED FOR PROPER OPERATION.
5. LIMITS OF SAFETY ZONES ARE PROVIDED FOR REFERENCE ONLY.
6. OPERATOR AND INSTALLATION TO COMPLY WITH ANSI/BHMA A156.10.
7. SEE SPECIFICATIONS FOR ADDITIONAL INFORMATION.

**MAGIC-FORCE™
WITH
SWING-GUARD® LE**

LOW ENERGY OPERATOR, AL FRAME, VISIBLE, PAIR IN

PROJECT INFORMATION

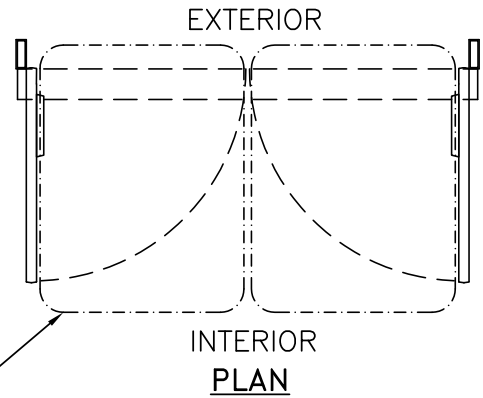
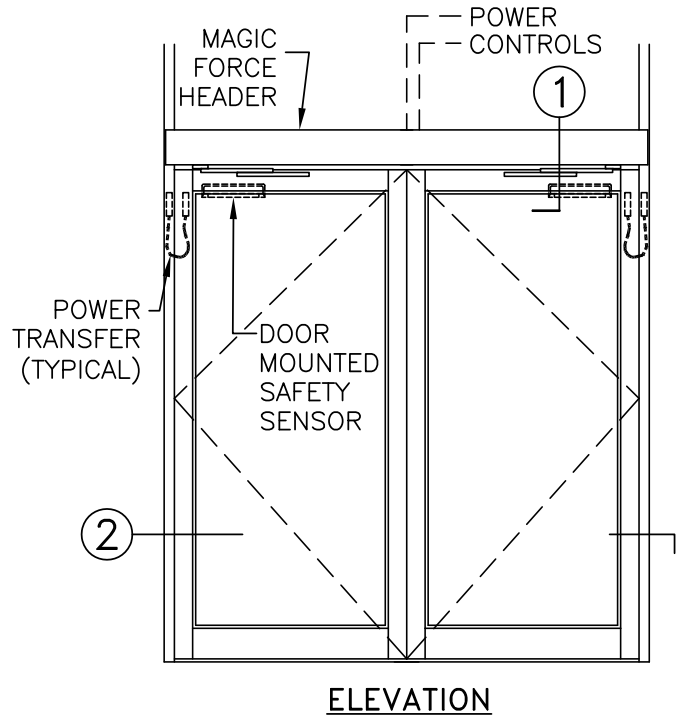
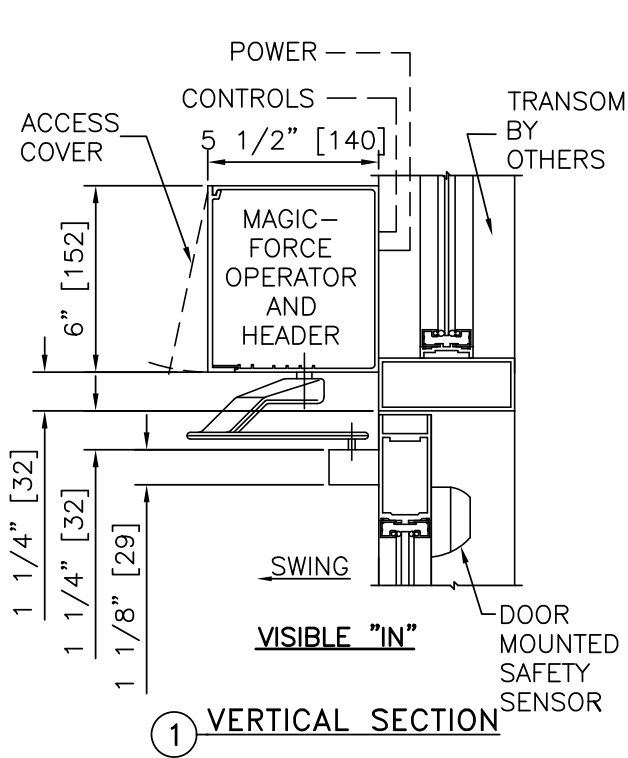
PROJECT NAME:

LOCATION:

DOOR NUMBER(S):

DATE:

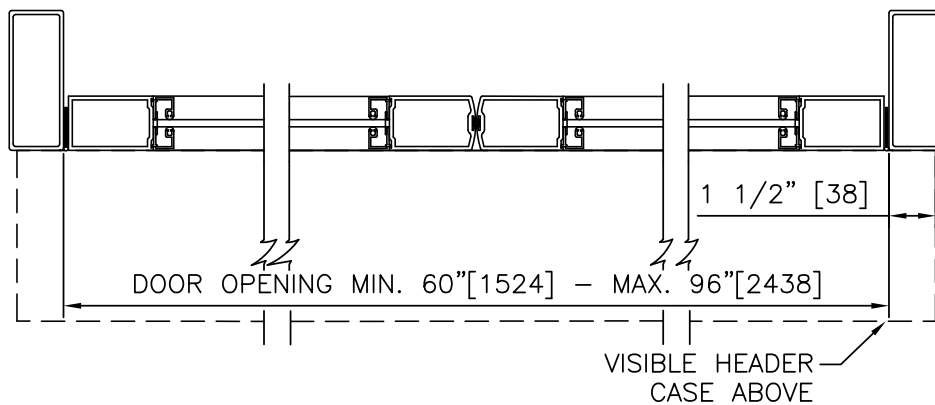
SHEET: OF



NOTES:

1. DETAILS NOT TO SCALE.
2. ELECTRICAL REQUIREMENTS: BY ELECTRICAL CONTRACTOR
 - 2.1 120 VAC, 5 AMP MIN TO OPERATOR.
 - 2.2 CONTROL CIRCUIT FROM ACTIVATION TO OPERATOR.
3. DOORS, FRAMES, AND HARDWARE BY OTHERS.
4. DOORS MUST BE UN-LATCHED FOR PROPER OPERATION. PROVIDE TIME DELAY RELAY WHEN REQUIRED FOR PROPER OPERATION.
5. LIMITS OF SAFETY ZONES ARE PROVIDED FOR REFERENCE ONLY.
6. OPERATOR AND INSTALLATION TO COMPLY WITH ANSI/BHMA A156.10.
7. SEE SPECIFICATIONS FOR ADDITIONAL INFORMATION.

SWING-GUARD LE
SAFETY ZONE
(TYP)



**MAGIC-FORCE™
WITH
SWING-GUARD® LE**

LOW ENERGY OPERATOR, AL FRAME, VISIBLE, PAIR OUT

PROJECT INFORMATION

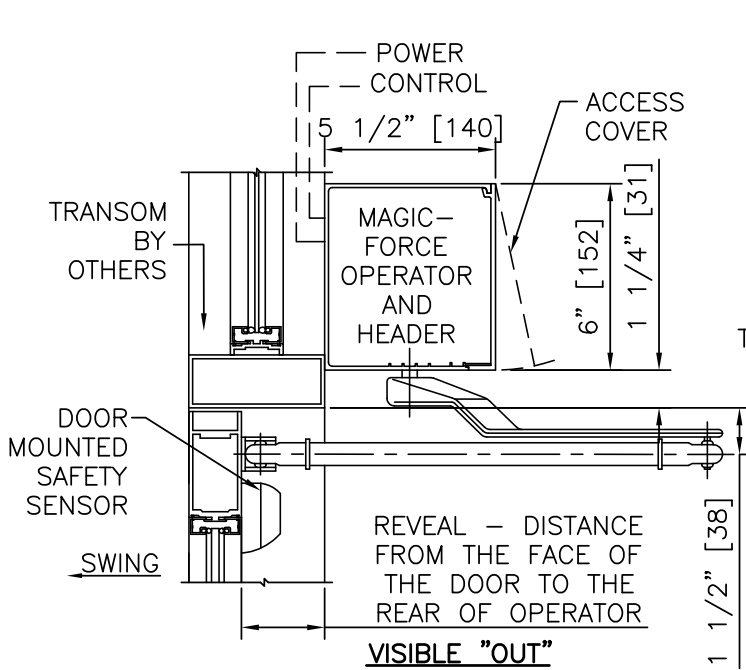
PROJECT NAME:

LOCATION:

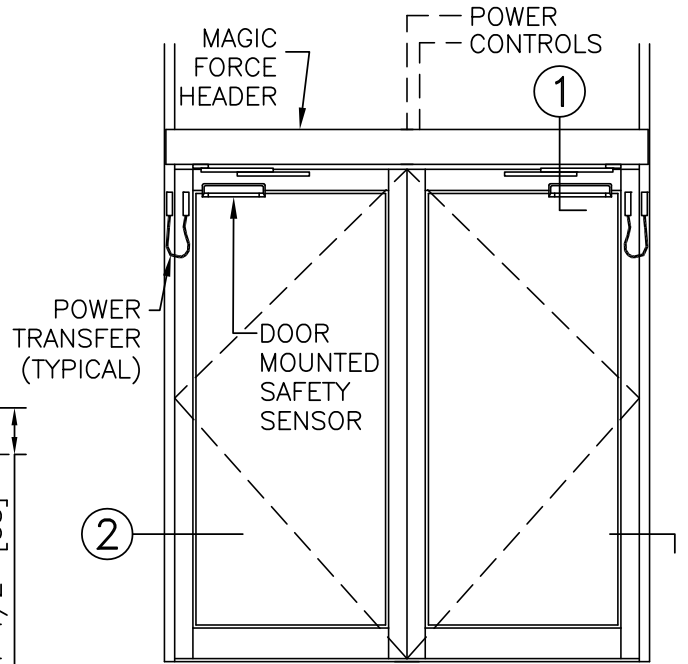
DOOR NUMBER(S):

DATE:

SHEET: OF

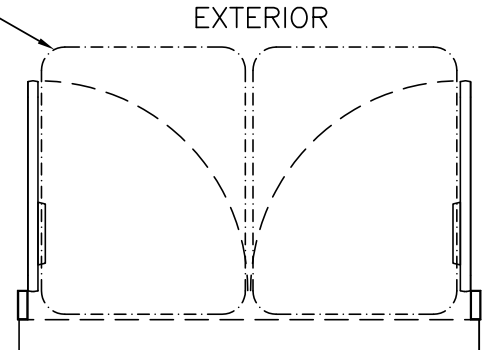


① VERTICAL SECTION



ELEVATION

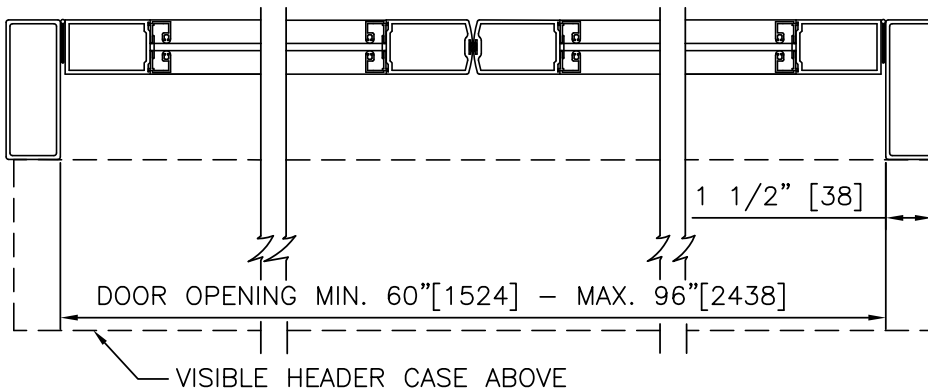
SWING-GUARD LE
SAFETY ZONE
(TYP)



INTERIOR
PLAN

NOTES:

1. DETAILS NOT TO SCALE.
2. ELECTRICAL REQUIREMENTS: BY ELECTRICAL CONTRACTOR
 - 2.1 120 VAC, 5 AMP MIN TO OPERATOR.
 - 2.2 CONTROL CIRCUIT FROM ACTIVATION TO OPERATOR.
3. DOORS, FRAMES, AND HARDWARE BY OTHERS.
4. DOORS MUST BE UN-LATCHED FOR PROPER OPERATION. PROVIDE TIME DELAY RELAY WHEN REQUIRED FOR PROPER OPERATION.
5. LIMITS OF SAFETY ZONES ARE PROVIDED FOR REFERENCE ONLY.
6. OPERATOR AND INSTALLATION TO COMPLY WITH ANSI/BHMA A156.10.
7. SEE SPECIFICATIONS FOR ADDITIONAL INFORMATION.



② HORIZONTAL SECTION

**MAGIC-FORCE™
WITH
SWING-GUARD® LE**

LOW ENERGY OPERATOR, AL FRAME, CONCEALED, RIGHT HAND

PROJECT INFORMATION

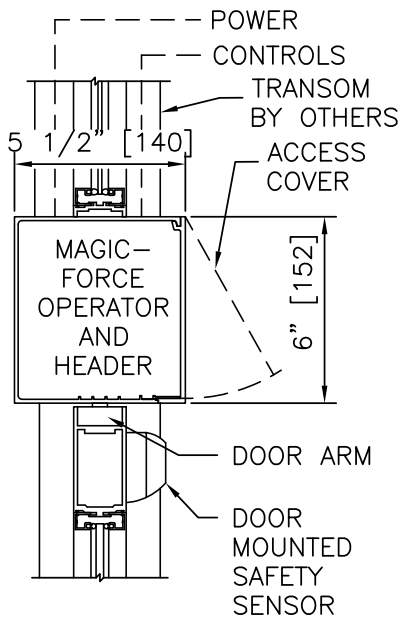
PROJECT NAME:

LOCATION:

DOOR NUMBER(S):

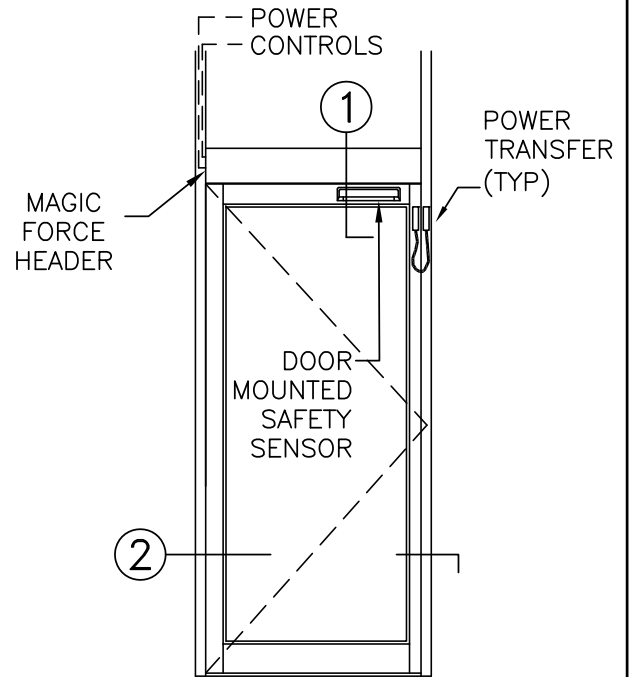
DATE:

SHEET: OF



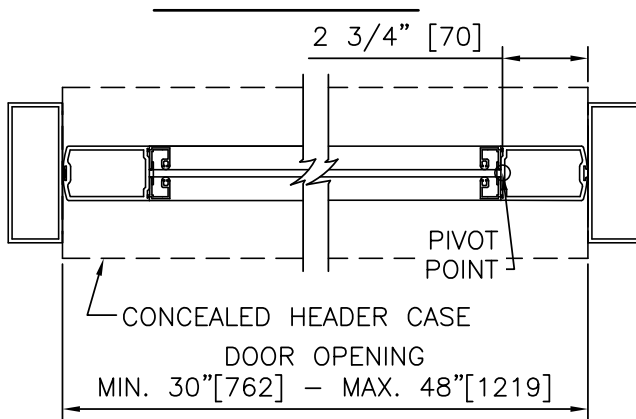
CONCEALED

① VERTICAL SECTION

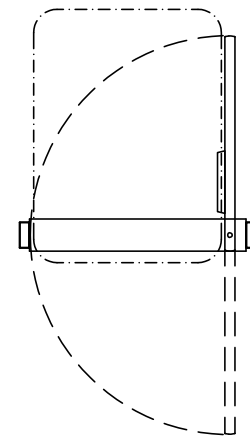


ELEVATION

SWING-GUARD LE
SAFETY ZONE
(TYP)



② HORIZONTAL SECTION



PLAN

NOTES:

1. DETAILS NOT TO SCALE.
2. ELECTRICAL REQUIREMENTS: BY ELECTRICAL CONTRACTOR
 - 2.1 120 VAC, 5 AMP MIN TO OPERATOR.
 - 2.2 CONTROL CIRCUIT FROM ACTIVATION TO OPERATOR.
3. DOORS, FRAMES, AND HARDWARE BY OTHERS.
4. DOORS MUST BE UN-LATCHED FOR PROPER OPERATION. PROVIDE TIME DELAY RELAY WHEN REQUIRED FOR PROPER OPERATION.
5. LIMITS OF SAFETY ZONES ARE PROVIDED FOR REFERENCE ONLY.
6. OPERATOR AND INSTALLATION TO COMPLY WITH ANSI/BHMA A156.10.
7. SEE SPECIFICATIONS FOR ADDITIONAL INFORMATION.

**MAGIC-FORCE™
WITH
SWING-GUARD® LE**

LOW ENERGY OPERATOR, AL FRAME, CONCEALED, LEFT HAND

PROJECT INFORMATION

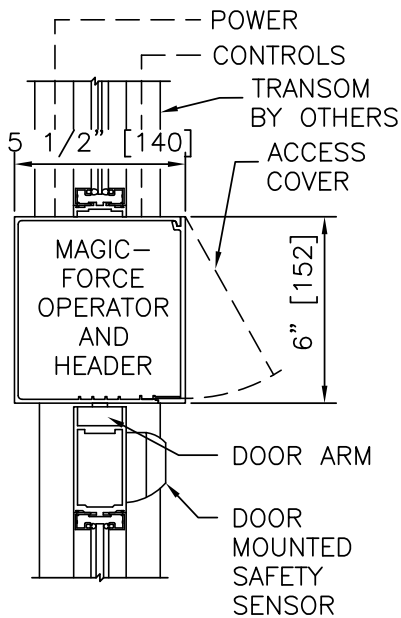
PROJECT NAME:

LOCATION:

DOOR NUMBER(S):

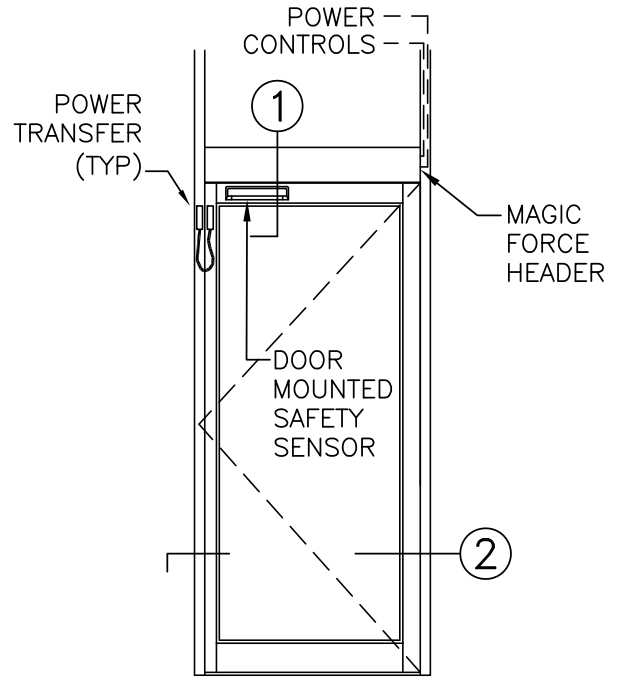
DATE:

SHEET: OF

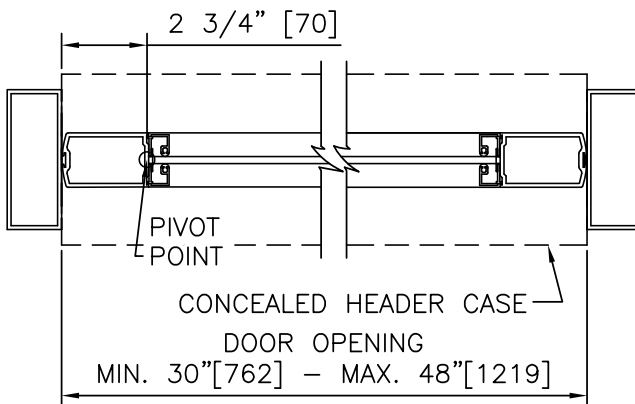


CONCEALED

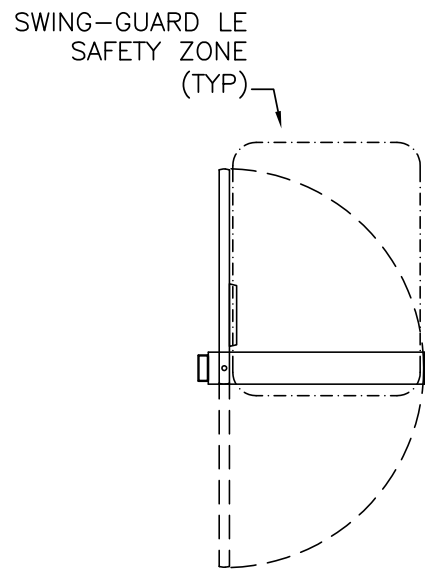
① VERTICAL SECTION



ELEVATION



② HORIZONTAL SECTION



PLAN

NOTES:

1. DETAILS NOT TO SCALE.
2. ELECTRICAL REQUIREMENTS: BY ELECTRICAL CONTRACTOR
 - 2.1 120 VAC, 5 AMP MIN TO OPERATOR.
 - 2.2 CONTROL CIRCUIT FROM ACTIVATION TO OPERATOR.
3. DOORS, FRAMES, AND HARDWARE BY OTHERS.
4. DOORS MUST BE UN-LATCHED FOR PROPER OPERATION. PROVIDE TIME DELAY RELAY WHEN REQUIRED FOR PROPER OPERATION.
5. LIMITS OF SAFETY ZONES ARE PROVIDED FOR REFERENCE ONLY.
6. OPERATOR AND INSTALLATION TO COMPLY WITH ANSI/BHMA A156.10.
7. SEE SPECIFICATIONS FOR ADDITIONAL INFORMATION.

**MAGIC-FORCE™
WITH
SWING-GUARD® LE**

LOW ENERGY OPERATOR, AL FRAME, CONCEALED, PAIR

PROJECT INFORMATION

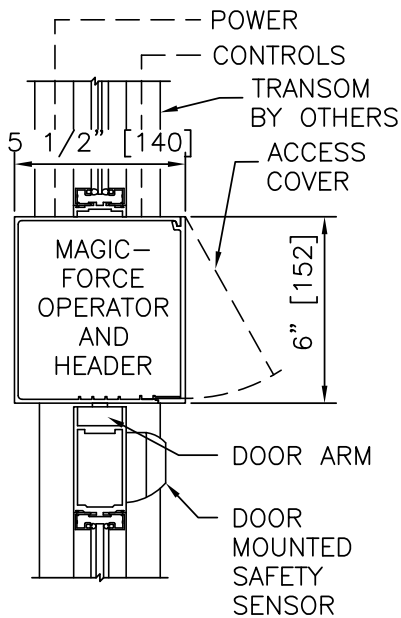
PROJECT NAME:

LOCATION:

DOOR NUMBER(S):

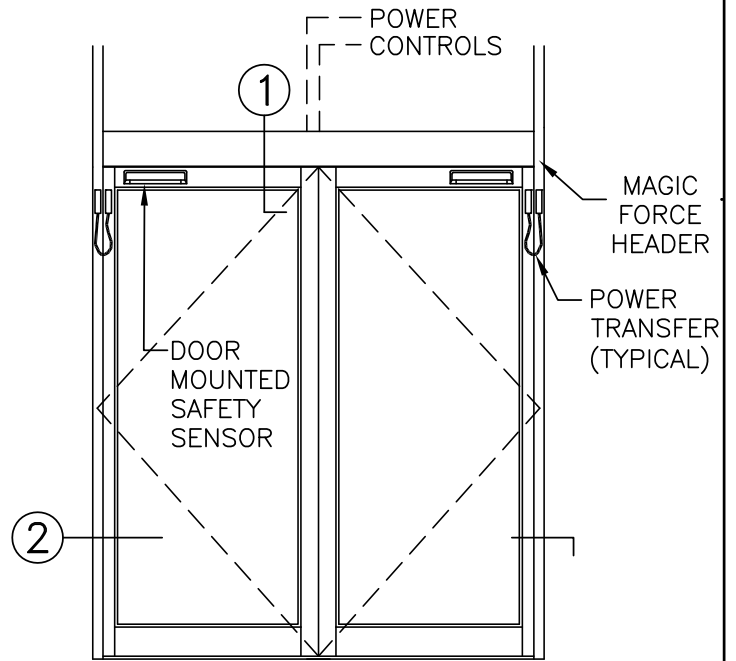
DATE:

SHEET: OF



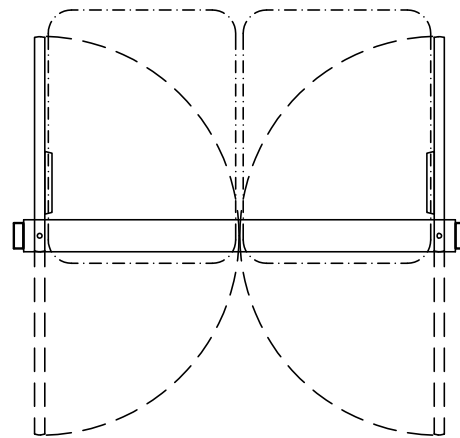
CONCEALED

① **VERTICAL SECTION**



ELEVATION

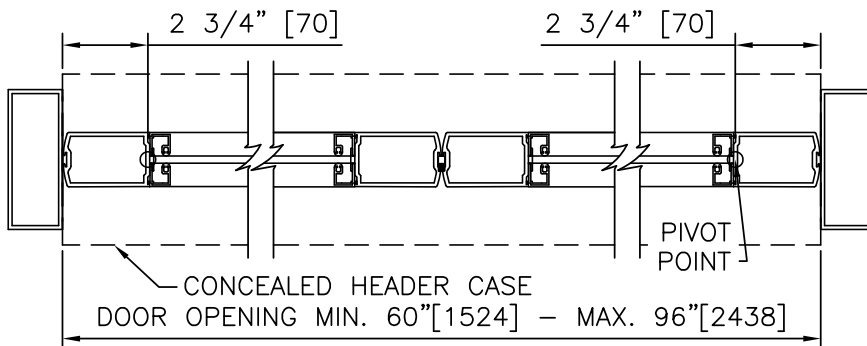
SWING-GUARD LE
SAFETY ZONE
(TYP)



PLAN

NOTES:

1. DETAILS NOT TO SCALE.
2. ELECTRICAL REQUIREMENTS: BY ELECTRICAL CONTRACTOR
 - 2.1 120 VAC, 5 AMP MIN TO OPERATOR.
 - 2.2 CONTROL CIRCUIT FROM ACTIVATION TO OPERATOR.
3. DOORS, FRAMES, AND HARDWARE BY OTHERS.
4. DOORS MUST BE UN-LATCHED FOR PROPER OPERATION. PROVIDE TIME DELAY RELAY WHEN REQUIRED FOR PROPER OPERATION.
5. LIMITS OF SAFETY ZONES ARE PROVIDED FOR REFERENCE ONLY.
6. OPERATOR AND INSTALLATION TO COMPLY WITH ANSI/BHMA A156.10.
7. SEE SPECIFICATIONS FOR ADDITIONAL INFORMATION.



② **HORIZONTAL SECTION**