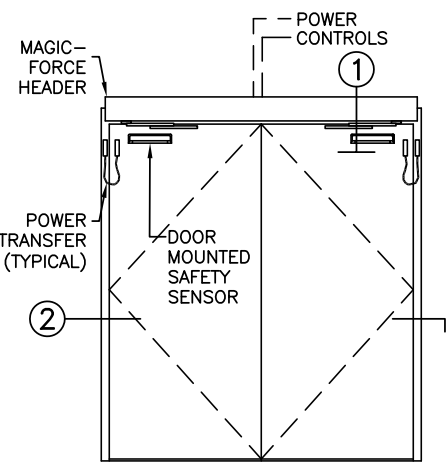


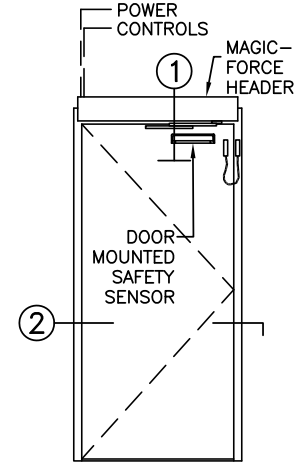


MAGIC-FORCE™ WITH SWING-GUARD® LE

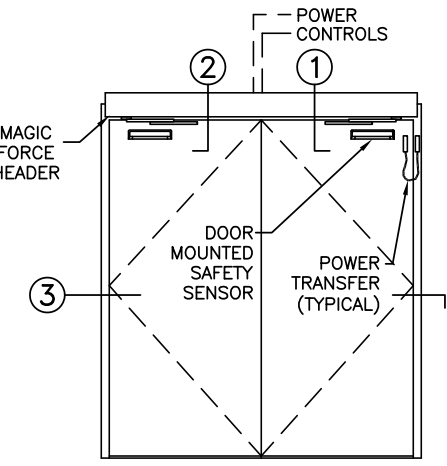
LOW ENERGY OPERATOR ON H.M./WOOD DOOR & FRAME	
PROJECT INFORMATION	
PROJECT NAME:	
LOCATION:	
DOOR NUMBER(S):	
DATE:	SHEET: OF



PAIR VISIBLE



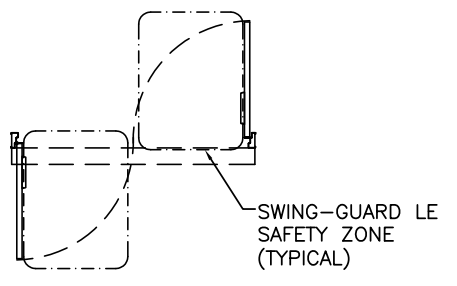
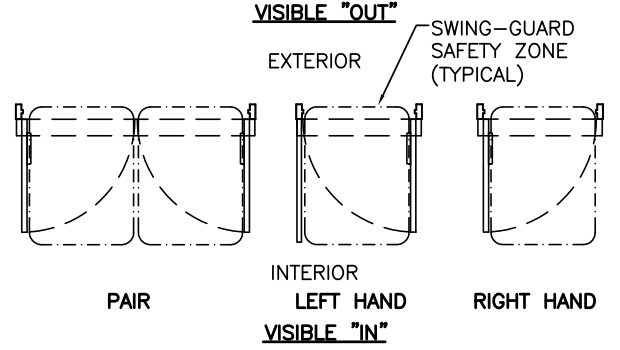
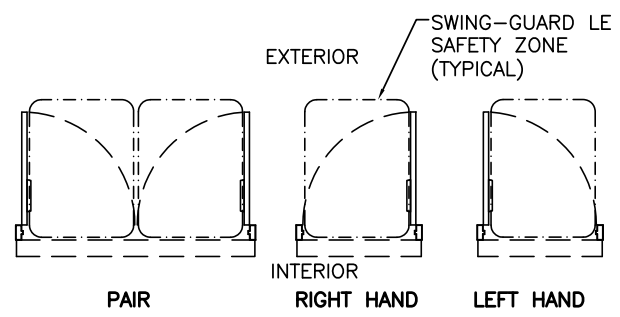
SINGLE VISIBLE



DOUBLE EGRESS

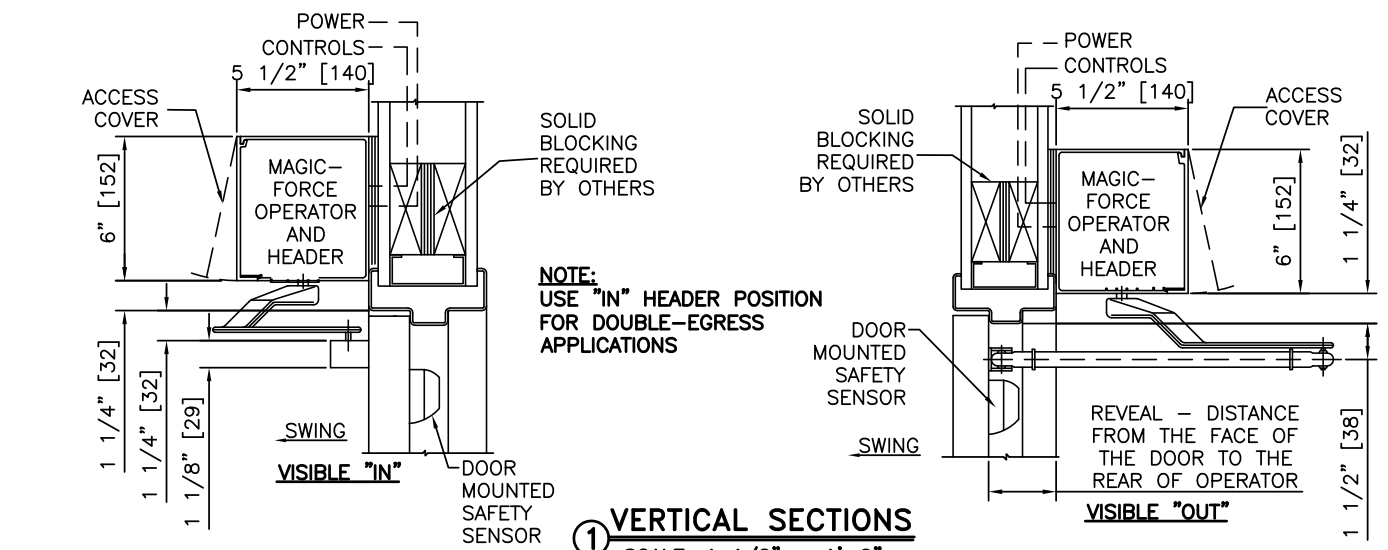
ELEVATIONS

SCALE: 1/4" = 1'-0"



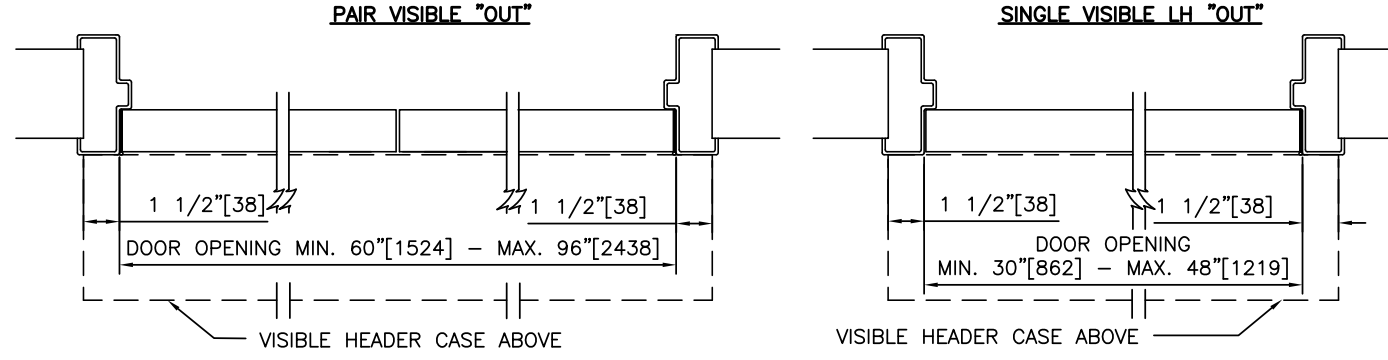
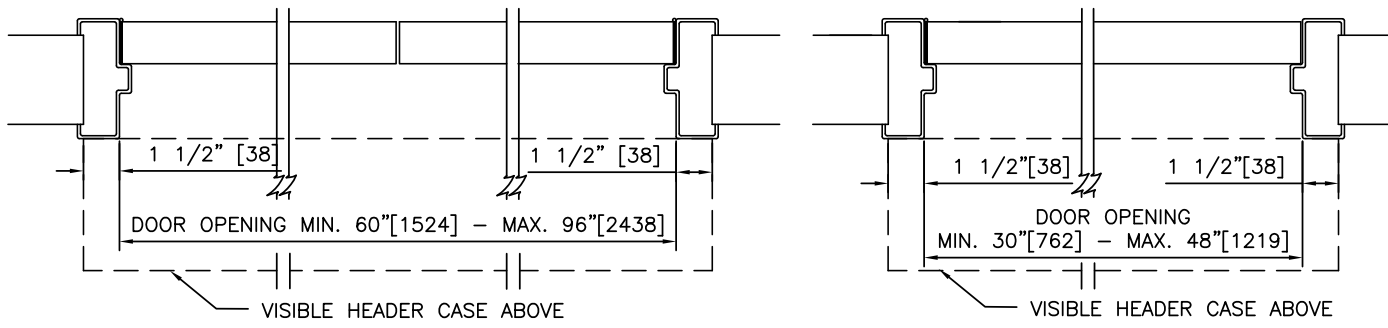
PLAN VIEWS

SCALE: 3/16" = 1'-0"



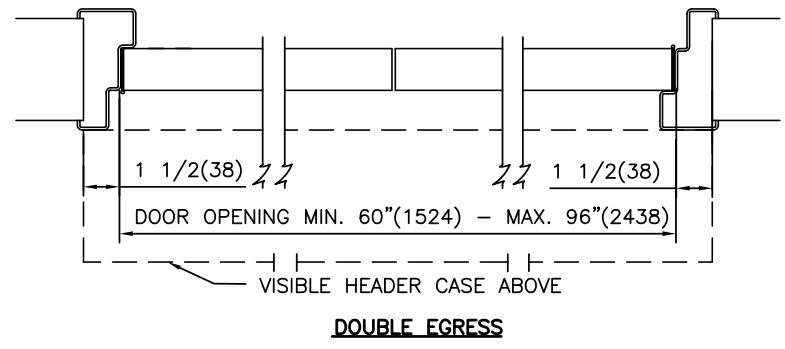
① VERTICAL SECTIONS

SCALE: 1 1/2" = 1'-0"



② HORIZONTAL SECTIONS

SCALE: 1 1/2" = 1'-0"



- NOTES**
- ELECTRICAL REQUIREMENTS: BY ELECTRICAL CONTRACTOR
 - 1.1 120 VAC, 5 AMP MIN TO OPERATOR.
 - 1.2 CONTROL CIRCUIT FROM ACTIVATION TO OPERATOR.
 - DOORS, FRAMES, AND HARDWARE BY OTHERS.
 - DOORS MUST BE UN-LATCHED FOR PROPER OPERATION. PROVIDE TIME DELAY RELAY WHEN REQUIRED FOR PROPER OPERATION.
 - LIMITS OF SAFETY ZONES ARE PROVIDED FOR REFERENCE ONLY.
 - OPERATOR AND INSTALLATION TO COMPLY WITH ANSI/BHMA A156.10.
 - SEE SPECIFICATIONS FOR ADDITIONAL INFORMATION.

LOW ENERGY OPERATOR ON H.M./WOOD DOOR & FRAME

MAGIC-FORCE™ WITH SWING-GUARD® LE

STANLEY Security

ACCESS TECHNOLOGIES

**MAGIC-FORCE™
WITH
SWING-GUARD® LE**

LOW ENERGY OPERATOR, HMW FRAME, VISIBLE, RIGHT HAND IN

PROJECT INFORMATION

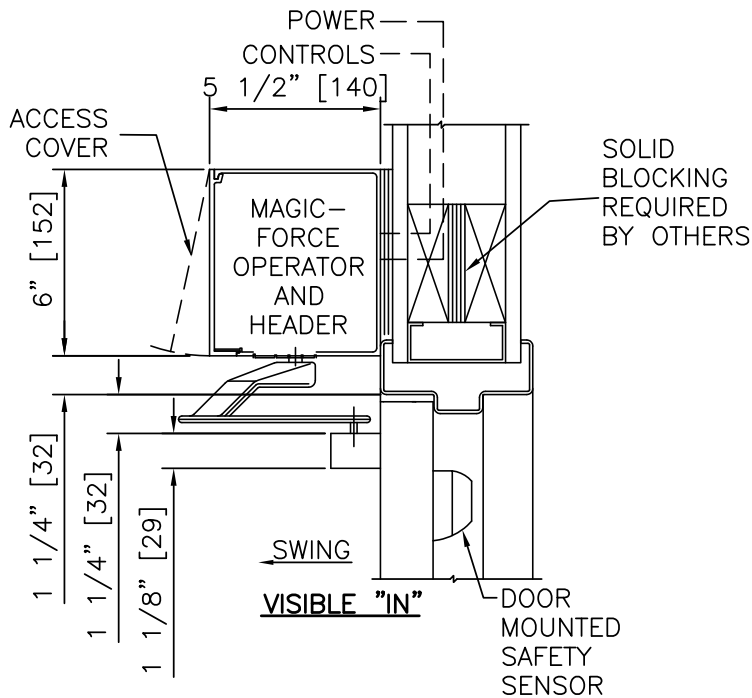
PROJECT NAME:

LOCATION:

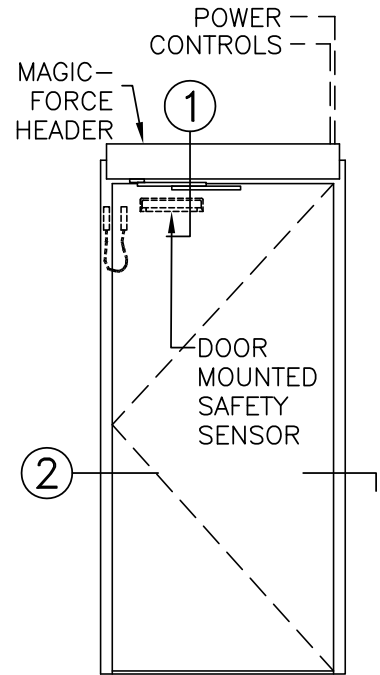
DOOR NUMBER(S):

DATE:

SHEET: OF

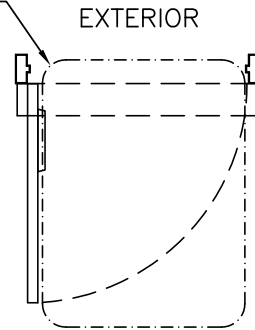


① VERTICAL SECTION

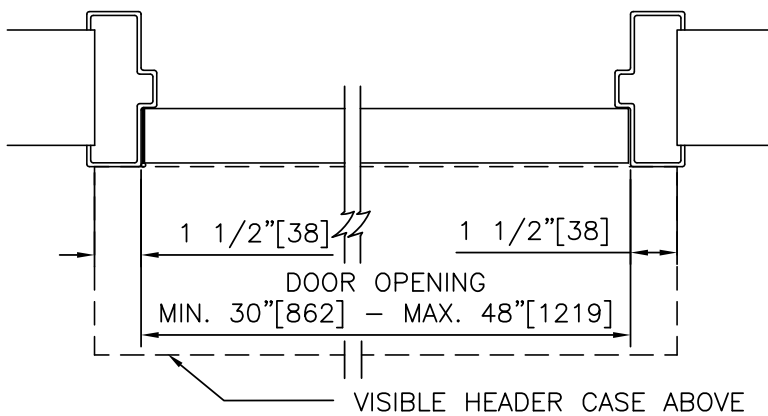


ELEVATION

SWING-GUARD LE
SAFETY ZONE
(TYP)



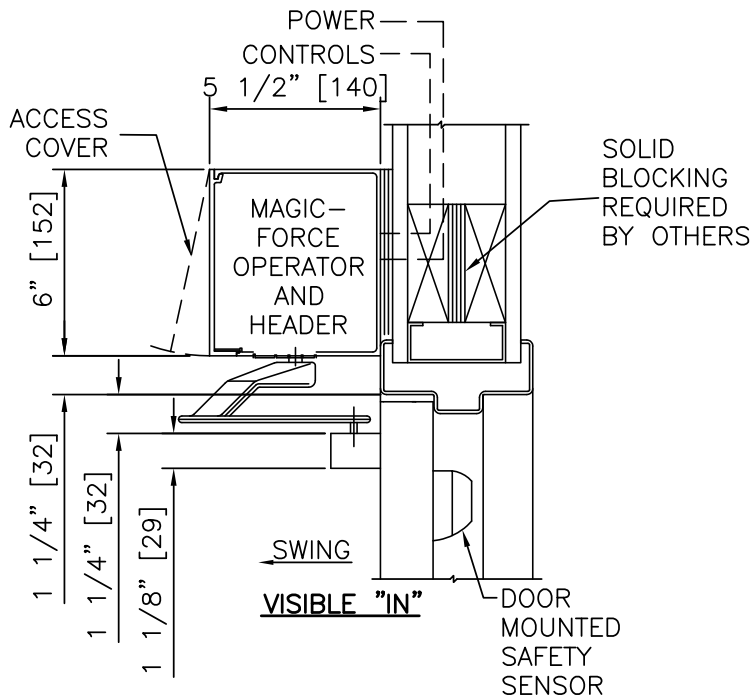
INTERIOR
PLAN



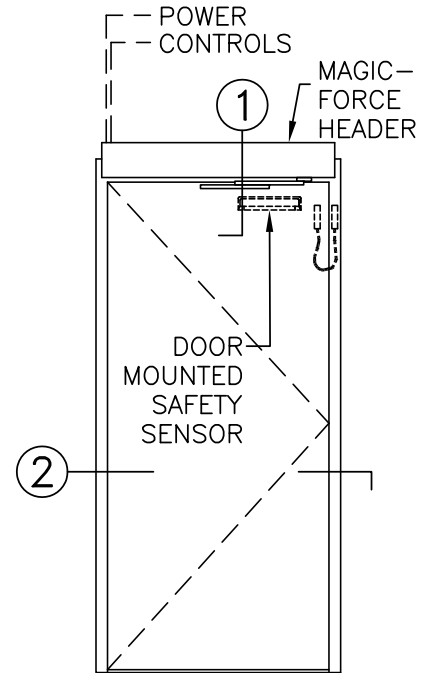
② HORIZONTAL SECTION

NOTES:

1. DETAILS NOT TO SCALE.
2. ELECTRICAL REQUIREMENTS: BY ELECTRICAL CONTRACTOR
 - 2.1 120 VAC, 5 AMP MIN TO OPERATOR.
 - 2.2 CONTROL CIRCUIT FROM ACTIVATION TO OPERATOR.
3. DOORS, FRAMES, AND HARDWARE BY OTHERS.
4. DOORS MUST BE UN-LATCHED FOR PROPER OPERATION. PROVIDE TIME DELAY RELAY WHEN REQUIRED FOR PROPER OPERATION.
5. LIMITS OF SAFETY ZONES ARE PROVIDED FOR REFERENCE ONLY.
6. OPERATOR AND INSTALLATION TO COMPLY WITH ANSI/BHMA A156.10.
7. SEE SPECIFICATIONS FOR ADDITIONAL INFORMATION.

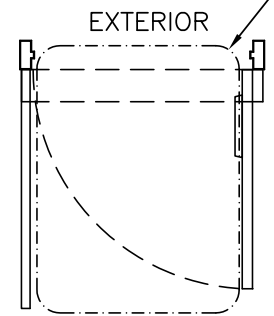


① VERTICAL SECTION

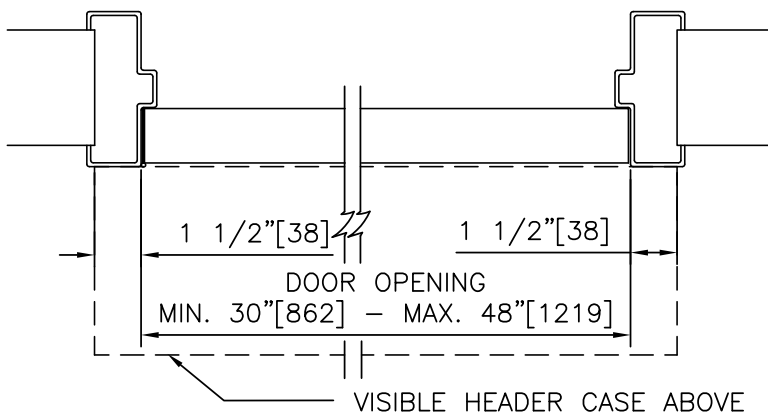


ELEVATION

SWING-GUARD LE
SAFETY ZONE
(TYP)



INTERIOR
PLAN



② HORIZONTAL SECTION

NOTES:

1. DETAILS NOT TO SCALE.
2. ELECTRICAL REQUIREMENTS: BY ELECTRICAL CONTRACTOR
 - 2.1 120 VAC, 5 AMP MIN TO OPERATOR.
 - 2.2 CONTROL CIRCUIT FROM ACTIVATION TO OPERATOR.
3. DOORS, FRAMES, AND HARDWARE BY OTHERS.
4. DOORS MUST BE UN-LATCHED FOR PROPER OPERATION. PROVIDE TIME DELAY RELAY WHEN REQUIRED FOR PROPER OPERATION.
5. LIMITS OF SAFETY ZONES ARE PROVIDED FOR REFERENCE ONLY.
6. OPERATOR AND INSTALLATION TO COMPLY WITH ANSI/BHMA A156.10.
7. SEE SPECIFICATIONS FOR ADDITIONAL INFORMATION.

**MAGIC-FORCE™
WITH
SWING-GUARD® LE**

LOW ENERGY OPERATOR, HMW FRAME, VISIBLE, RIGHT HAND OUT

PROJECT INFORMATION

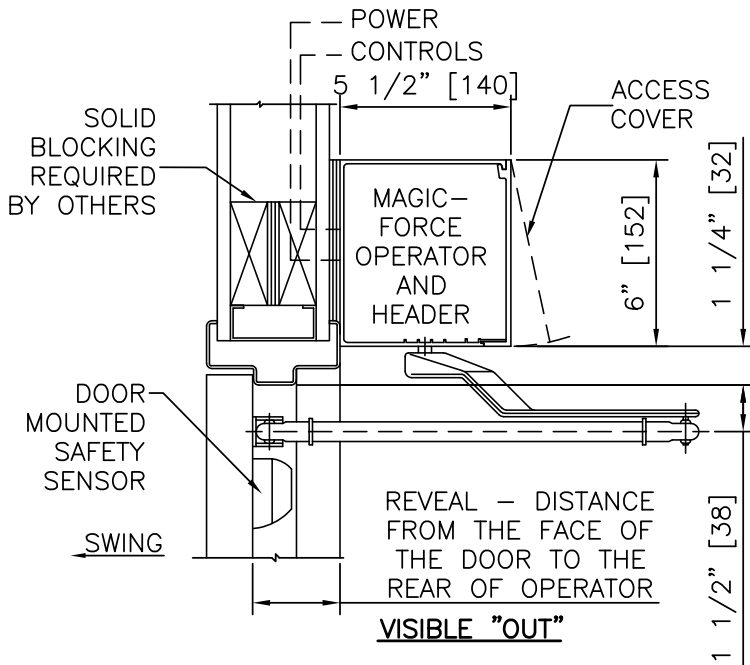
PROJECT NAME:

LOCATION:

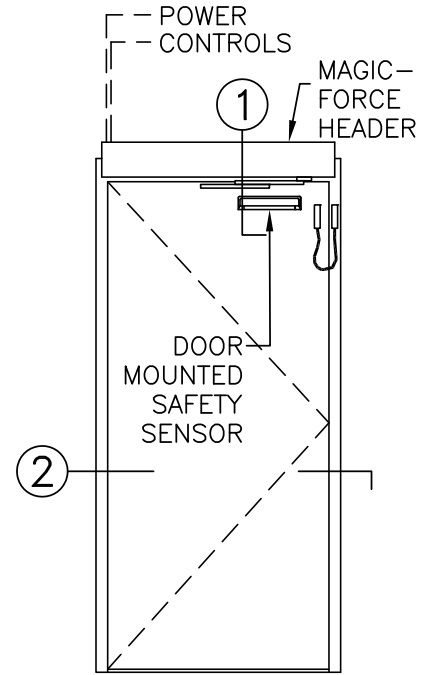
DOOR NUMBER(S):

DATE:

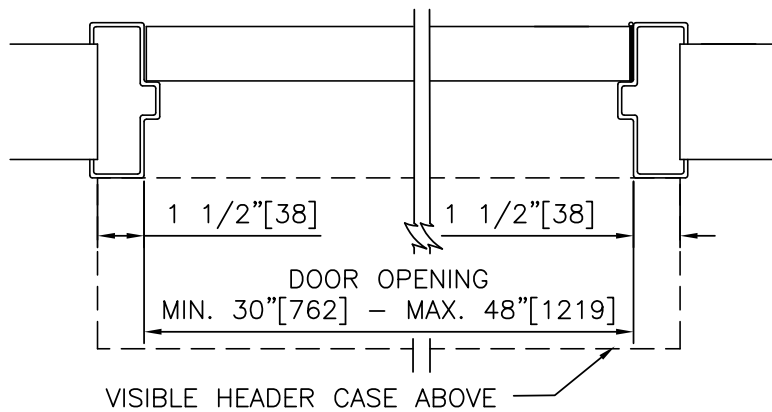
SHEET: OF



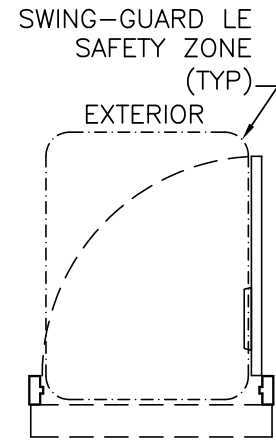
① VERTICAL SECTION



ELEVATION



② HORIZONTAL SECTION



INTERIOR PLAN

NOTES:

1. DETAILS NOT TO SCALE.
2. ELECTRICAL REQUIREMENTS: BY ELECTRICAL CONTRACTOR
 - 2.1 120 VAC, 5 AMP MIN TO OPERATOR.
 - 2.2 CONTROL CIRCUIT FROM ACTIVATION TO OPERATOR.
3. DOORS, FRAMES, AND HARDWARE BY OTHERS.
4. DOORS MUST BE UN-LATCHED FOR PROPER OPERATION. PROVIDE TIME DELAY RELAY WHEN REQUIRED FOR PROPER OPERATION.
5. LIMITS OF SAFETY ZONES ARE PROVIDED FOR REFERENCE ONLY.
6. OPERATOR AND INSTALLATION TO COMPLY WITH ANSI/BHMA A156.10.
7. SEE SPECIFICATIONS FOR ADDITIONAL INFORMATION.

**MAGIC-FORCE™
WITH
SWING-GUARD® LE**

LOW ENERGY OPERATOR, HMW FRAME, VISIBLE, LEFT HAND OUT

PROJECT INFORMATION

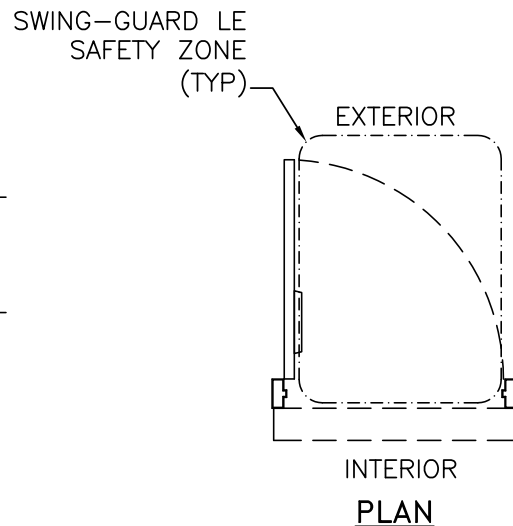
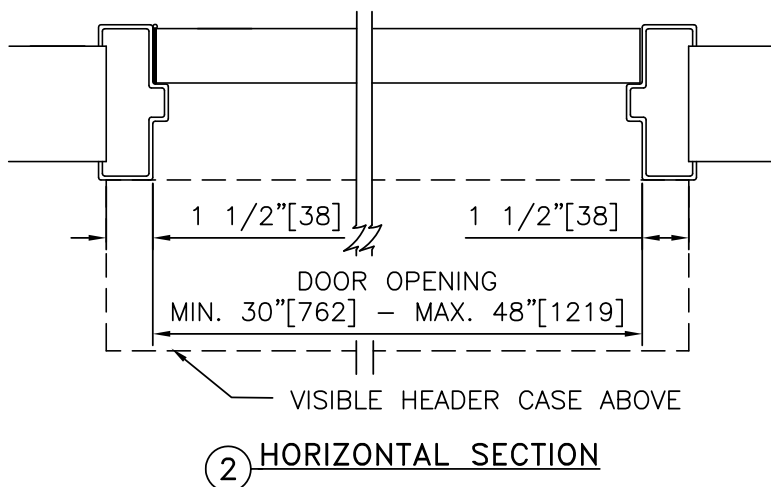
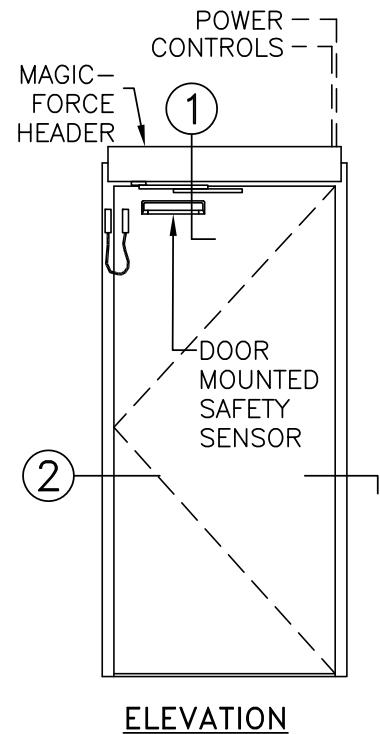
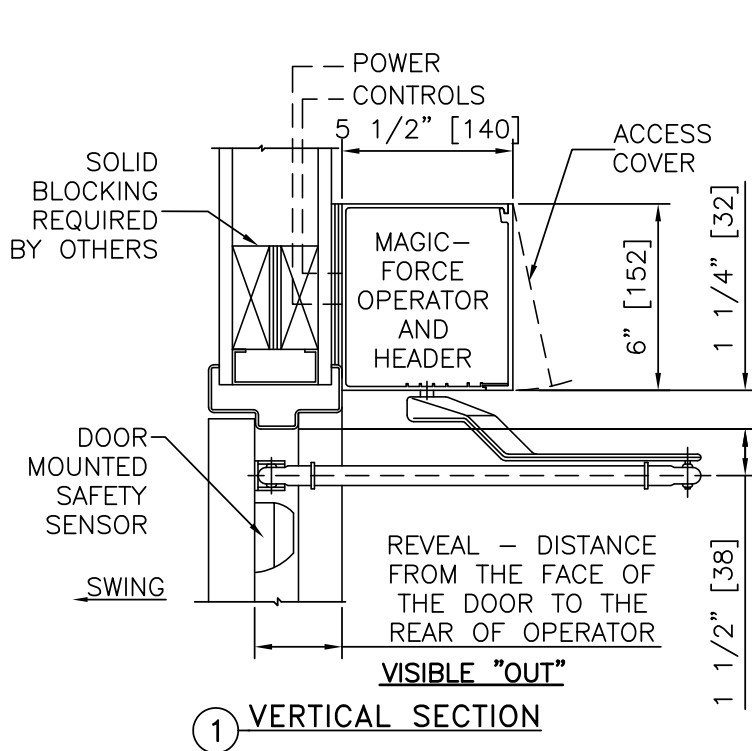
PROJECT NAME:

LOCATION:

DOOR NUMBER(S):

DATE:

SHEET: OF



NOTES:

1. DETAILS NOT TO SCALE.
2. ELECTRICAL REQUIREMENTS: BY ELECTRICAL CONTRACTOR
 - 2.1 120 VAC, 5 AMP MIN TO OPERATOR.
 - 2.2 CONTROL CIRCUIT FROM ACTIVATION TO OPERATOR.
3. DOORS, FRAMES, AND HARDWARE BY OTHERS.
4. DOORS MUST BE UN-LATCHED FOR PROPER OPERATION. PROVIDE TIME DELAY RELAY WHEN REQUIRED FOR PROPER OPERATION.
5. LIMITS OF SAFETY ZONES ARE PROVIDED FOR REFERENCE ONLY.
6. OPERATOR AND INSTALLATION TO COMPLY WITH ANSI/BHMA A156.10.
7. SEE SPECIFICATIONS FOR ADDITIONAL INFORMATION.

**MAGIC-FORCE™
WITH
SWING-GUARD® LE**

LOW ENERGY OPERATOR, HMW FRAME, VISIBLE, PAIR IN

PROJECT INFORMATION

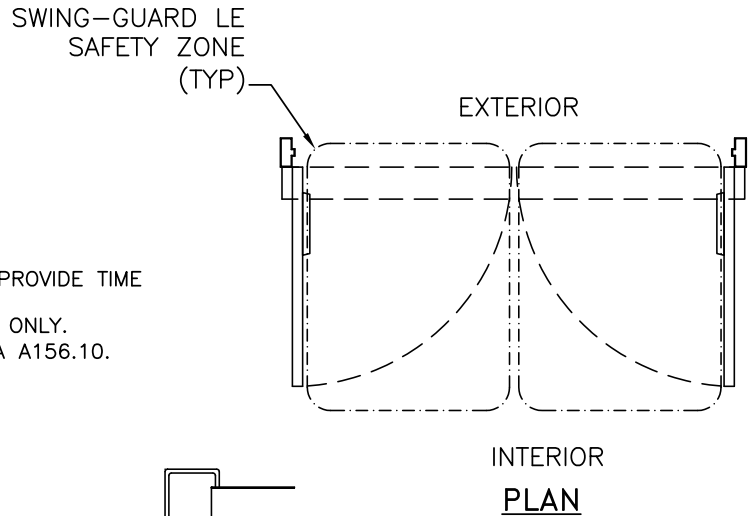
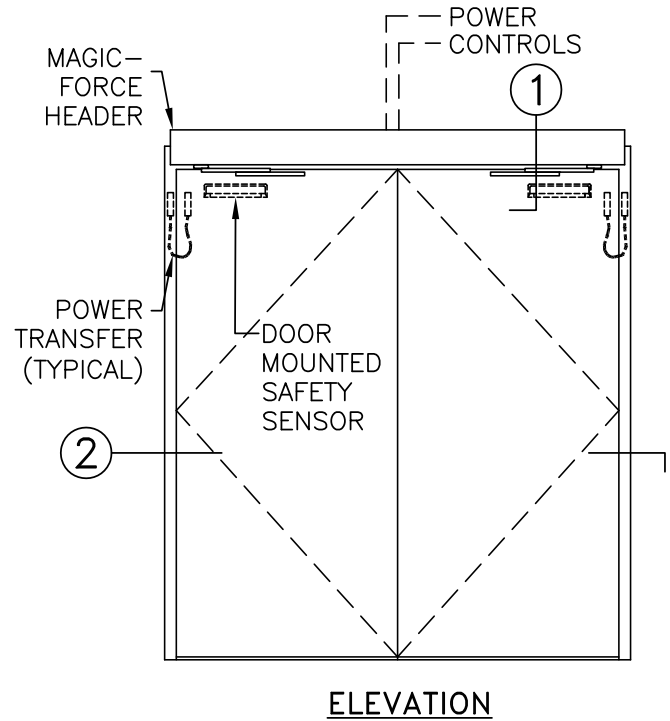
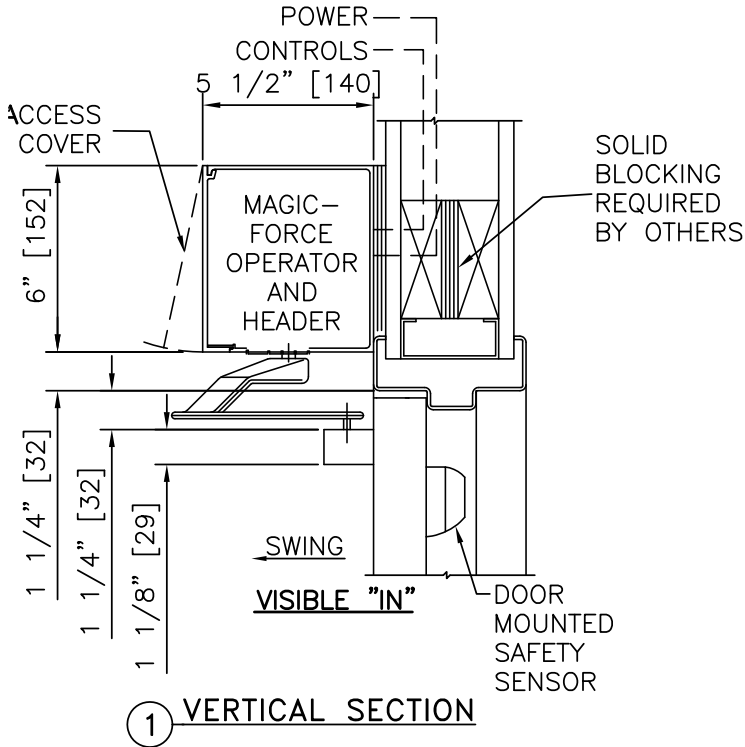
PROJECT NAME:

LOCATION:

DOOR NUMBER(S):

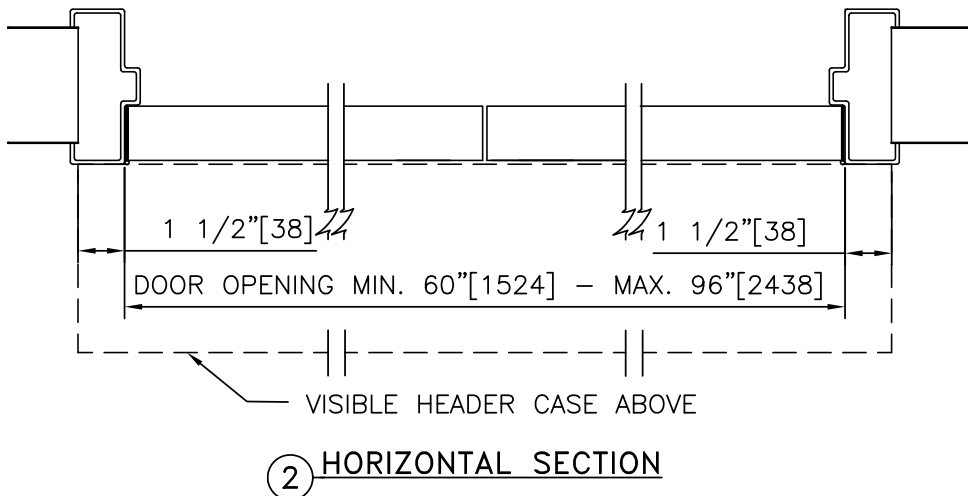
DATE:

SHEET: OF



NOTES:

1. DETAILS NOT TO SCALE.
2. ELECTRICAL REQUIREMENTS: BY ELECTRICAL CONTRACTOR
 - 2.1 120 VAC, 5 AMP MIN TO OPERATOR.
 - 2.2 CONTROL CIRCUIT FROM ACTIVATION TO OPERATOR.
3. DOORS, FRAMES, AND HARDWARE BY OTHERS.
4. DOORS MUST BE UN-LATCHED FOR PROPER OPERATION. PROVIDE TIME DELAY RELAY WHEN REQUIRED FOR PROPER OPERATION.
5. LIMITS OF SAFETY ZONES ARE PROVIDED FOR REFERENCE ONLY.
6. OPERATOR AND INSTALLATION TO COMPLY WITH ANSI/BHMA A156.10.
7. SEE SPECIFICATIONS FOR ADDITIONAL INFORMATION.



**MAGIC-FORCE™
WITH
SWING-GUARD® LE**

LOW ENERGY OPERATOR, HMW FRAME, VISIBLE, PAIR OUT

PROJECT INFORMATION

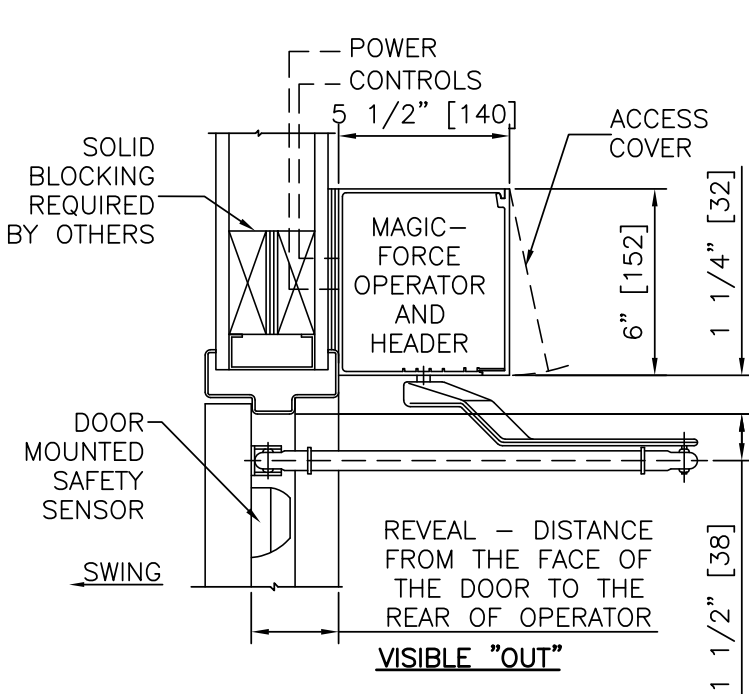
PROJECT NAME:

LOCATION:

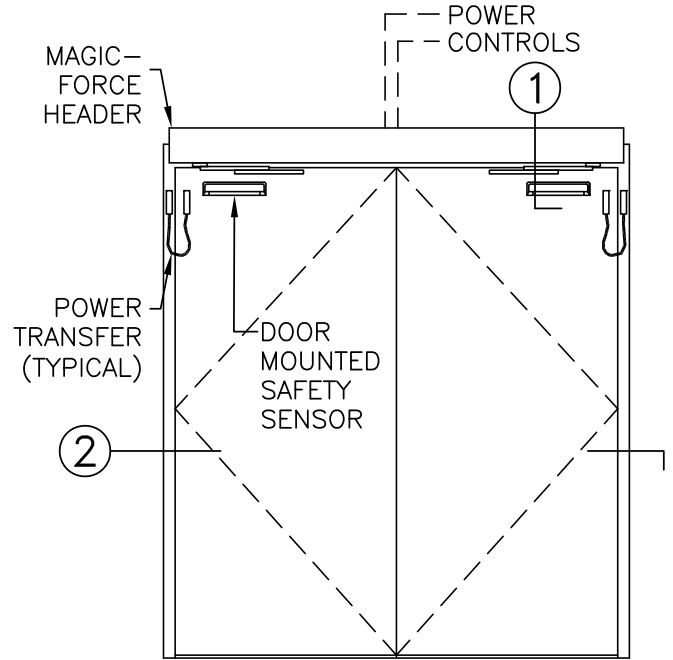
DOOR NUMBER(S):

DATE:

SHEET: OF



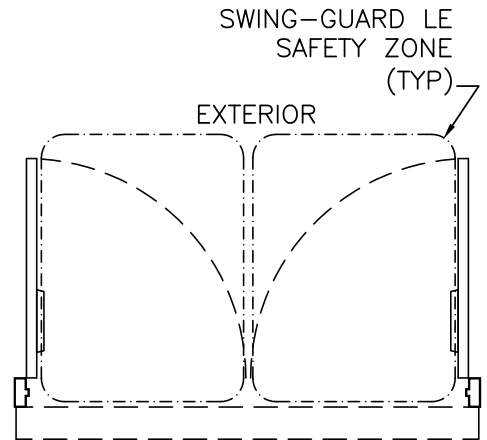
① VERTICAL SECTION



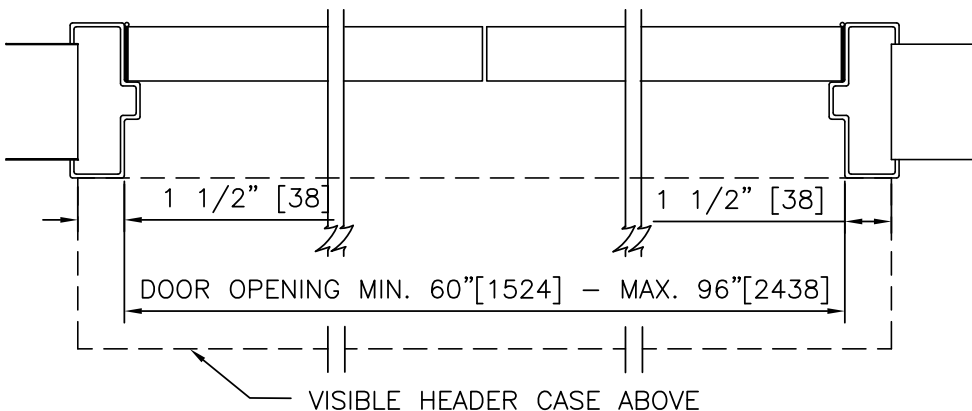
ELEVATION

NOTES:

1. DETAILS NOT TO SCALE.
2. ELECTRICAL REQUIREMENTS: BY ELECTRICAL CONTRACTOR
 - 2.1 120 VAC, 5 AMP MIN TO OPERATOR.
 - 2.2 CONTROL CIRCUIT FROM ACTIVATION TO OPERATOR.
3. DOORS, FRAMES, AND HARDWARE BY OTHERS.
4. DOORS MUST BE UN-LATCHED FOR PROPER OPERATION. PROVIDE TIME DELAY RELAY WHEN REQUIRED FOR PROPER OPERATION.
5. LIMITS OF SAFETY ZONES ARE PROVIDED FOR REFERENCE ONLY.
6. OPERATOR AND INSTALLATION TO COMPLY WITH ANSI/BHMA A156.10.
7. SEE SPECIFICATIONS FOR ADDITIONAL INFORMATION.



INTERIOR
PLAN



② HORIZONTAL SECTION

**MAGIC-FORCE™
WITH
SWING-GUARD® LE**

LOW ENERGY OPERATOR, HMW FRAME, VISIBLE, PAIR DE

PROJECT INFORMATION

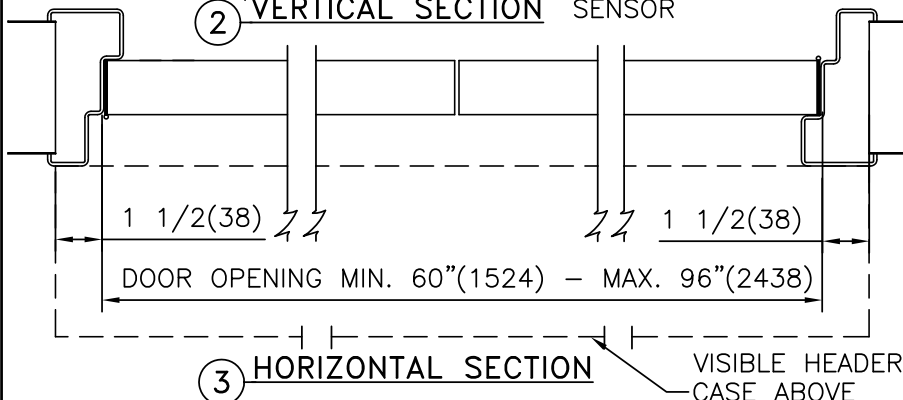
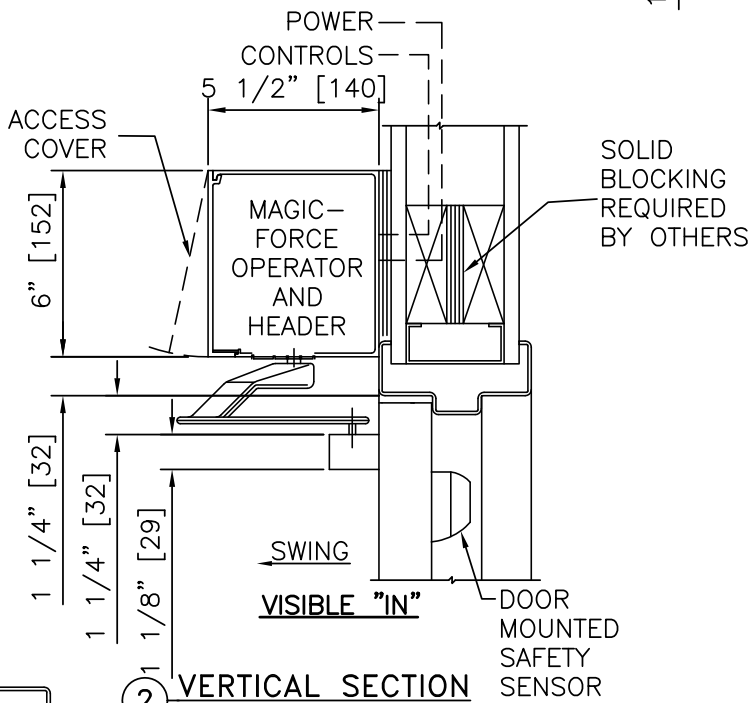
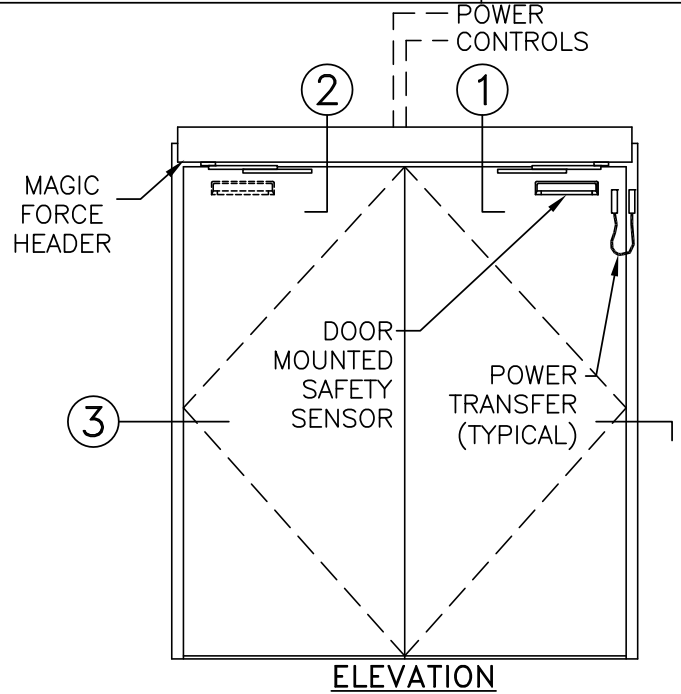
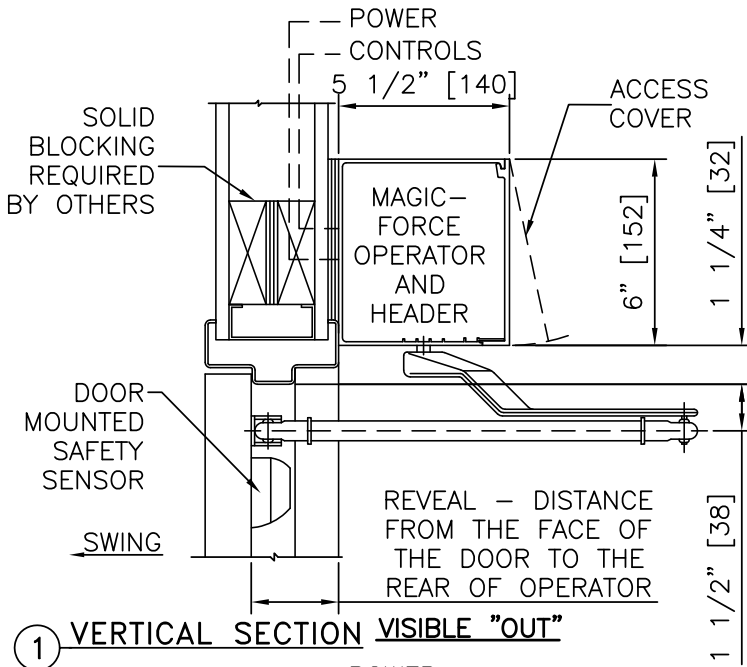
PROJECT NAME:

LOCATION:

DOOR NUMBER(S):

DATE:

SHEET: OF



NOTES:

1. DETAILS NOT TO SCALE.
2. ELECTRICAL REQUIREMENTS: BY ELECTRICAL CONTRACTOR
 - 2.1 120 VAC, 5 AMP MIN TO OPERATOR.
 - 2.2 CONTROL CIRCUIT FROM ACTIVATION TO OPERATOR.
3. DOORS, FRAMES, AND HARDWARE BY OTHERS.
4. DOORS MUST BE UN-LATCHED FOR PROPER OPERATION. PROVIDE TIME DELAY RELAY WHEN REQUIRED FOR PROPER OPERATION.
5. LIMITS OF SAFETY ZONES ARE PROVIDED FOR REFERENCE ONLY.
6. OPERATOR AND INSTALLATION TO COMPLY WITH ANSI/BHMA A156.10.
7. SEE SPECIFICATIONS FOR ADDITIONAL INFORMATION.