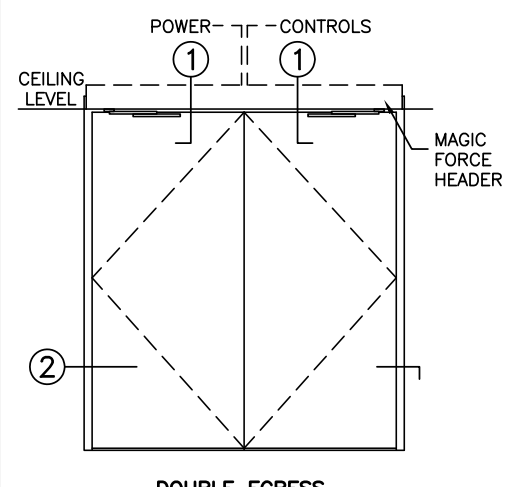
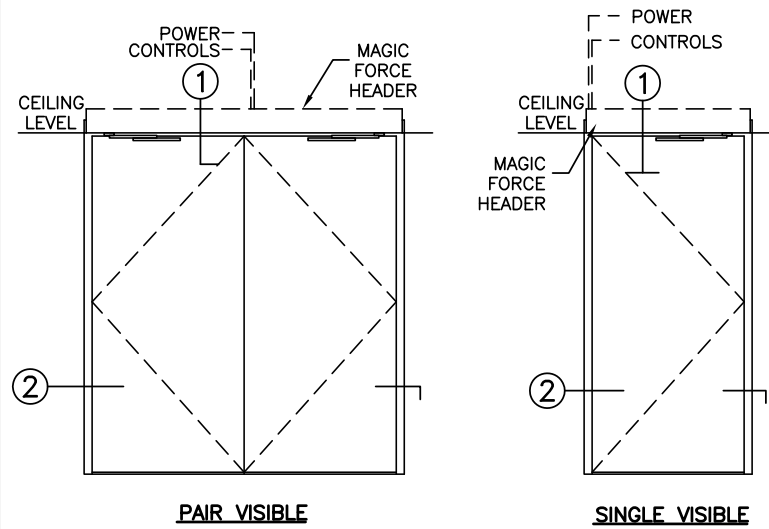


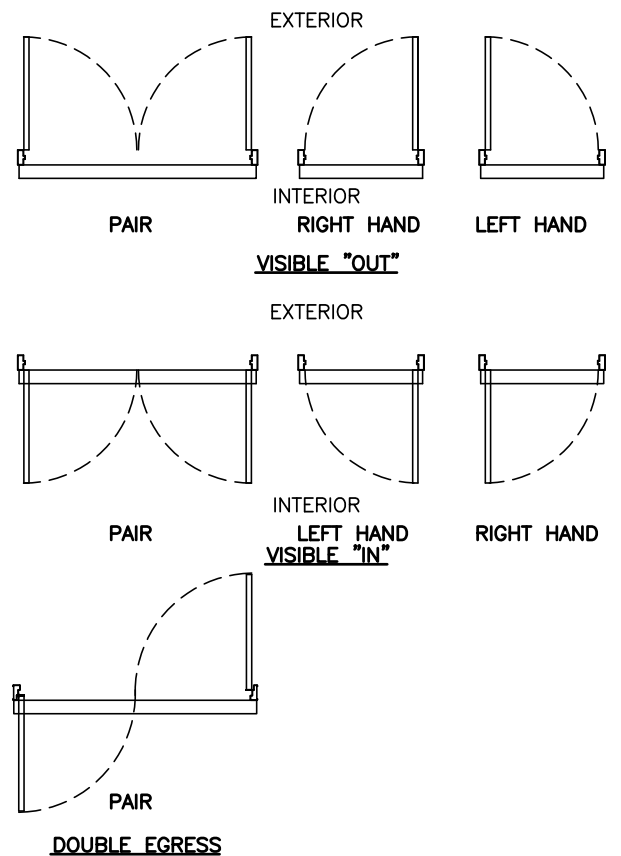


# MAGIC FORCE

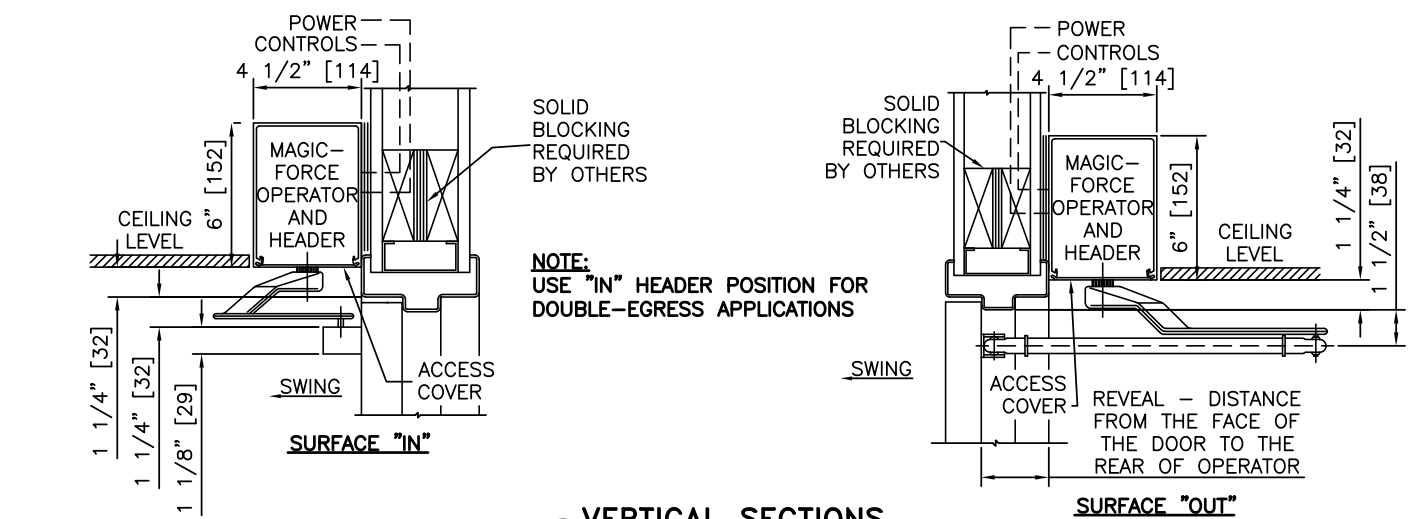
LOW-ENERGY OPERATOR, BOTTOM LOAD, H.M./WOOD DOOR & FRAME	
PROJECT INFORMATION	
PROJECT NAME:	
LOCATION:	
DOOR NUMBER(S):	
DATE:	SHEET: OF



**ELEVATIONS**  
SCALE: 1/4" = 1'-0"

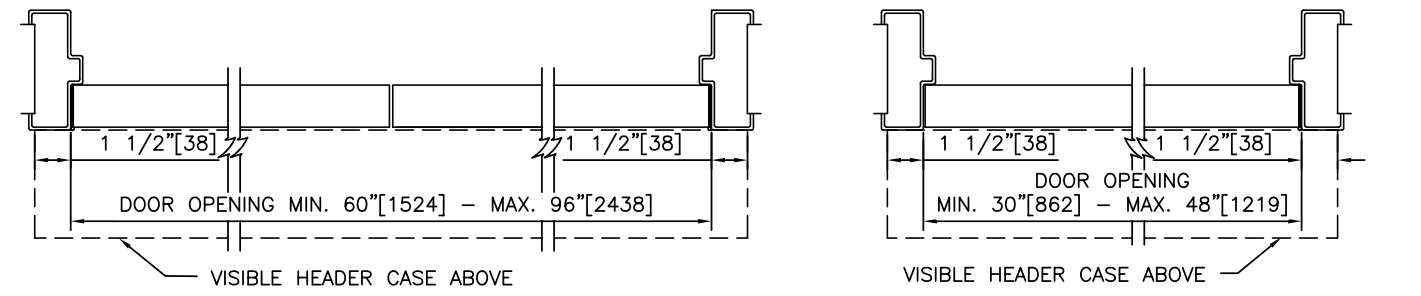
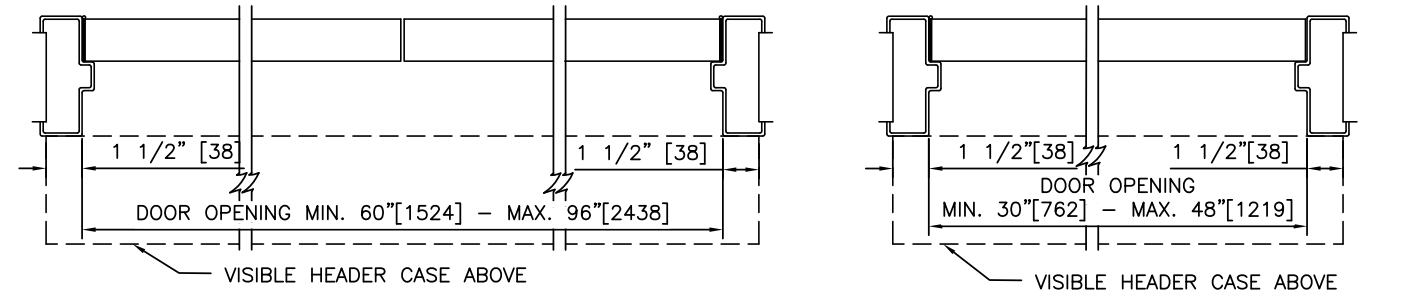


**PLAN VIEWS**  
SCALE: 3/16" = 1'-0"



**NOTE:**  
USE "IN" HEADER POSITION FOR DOUBLE-EGRESS APPLICATIONS

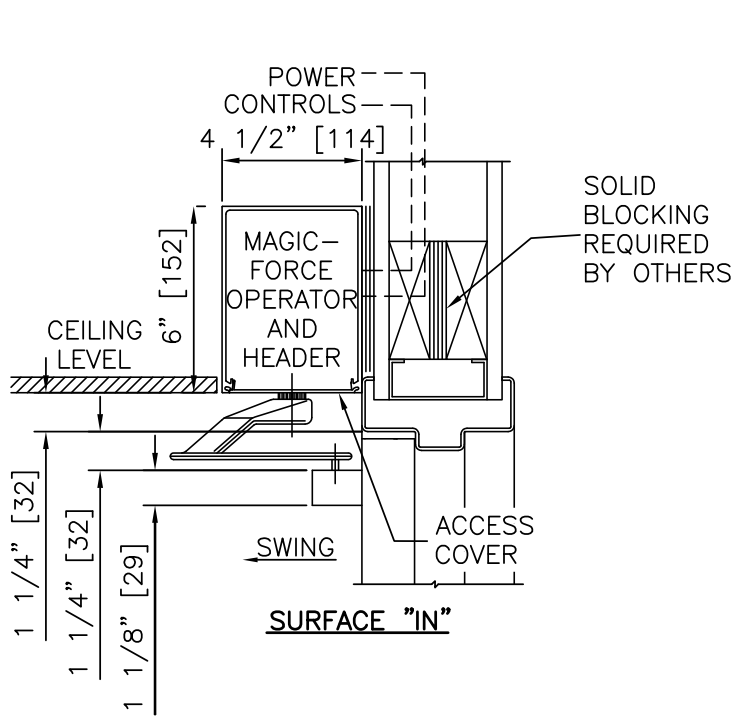
**1 VERTICAL SECTIONS**  
SCALE: 1 1/2" = 1'-0"



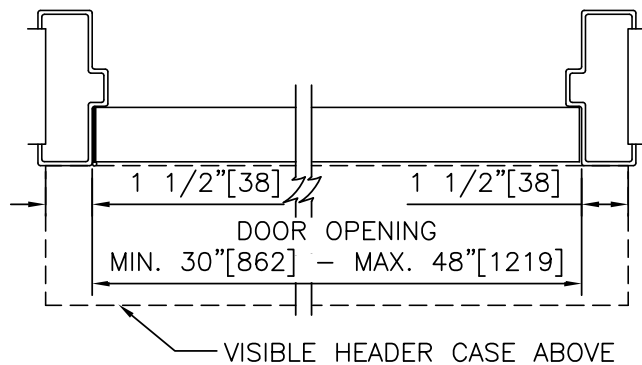
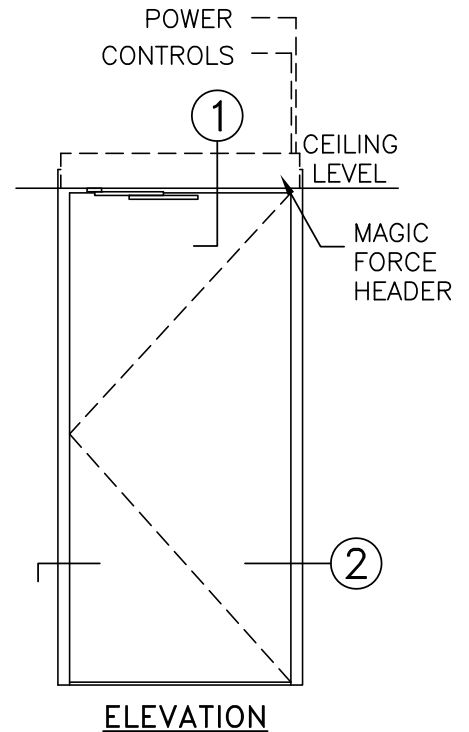
**2 HORIZONTAL SECTIONS**  
SCALE: 1 1/2" = 1'-0"

- NOTES**
- ELECTRICAL REQUIREMENTS: BY ELECTRICAL CONTRACTOR
    - 1.1 120 VAC, 5 AMP MIN TO OPERATOR.
    - 1.2 CONTROL CIRCUIT FROM ACTIVATION TO OPERATOR.
  - DOORS, FRAMES, AND HARDWARE BY OTHERS.
  - DOORS MUST BE UN-LATCHED FOR PROPER OPERATION. PROVIDE TIME DELAY RELAY WHEN REQUIRED FOR PROPER OPERATION.
  - OPERATOR AND INSTALLATION TO COMPLY WITH ANSI/BHMA A156.19.
  - SEE SPECIFICATIONS FOR ADDITIONAL INFORMATION.

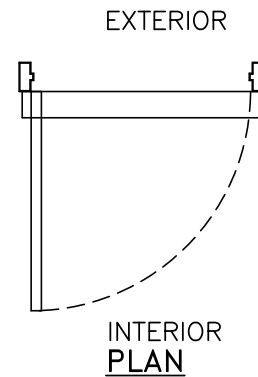
LOW-ENERGY OPERATOR, BOTTOM LOAD, H.M./WOOD DOOR & FRAME	
<b>MAGIC FORCE</b>	<b>STANLEY Security</b>
	ACCESS TECHNOLOGIES



① VERTICAL SECTION

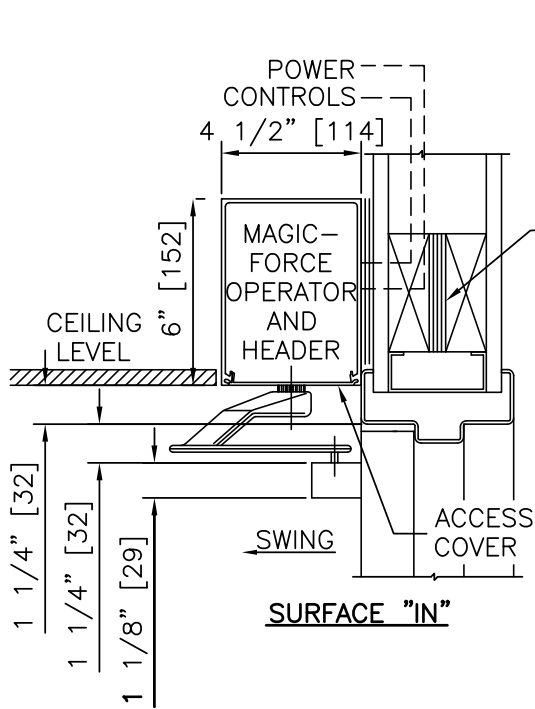


② HORIZONTAL SECTION

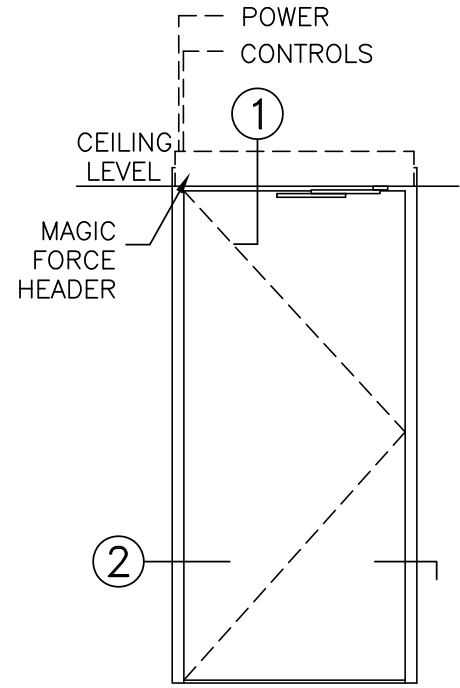


**NOTES**

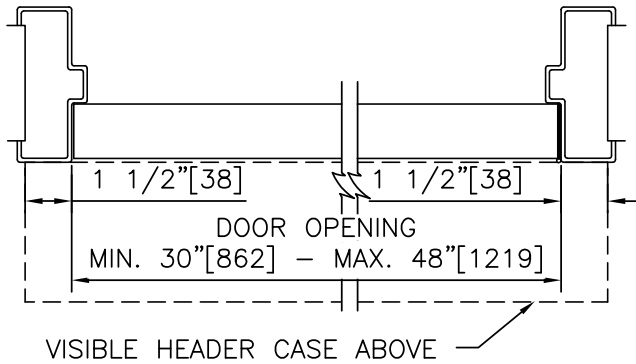
1. DETAILS NOT TO SCALE.
2. ELECTRICAL REQUIREMENTS: BY ELECTRICAL CONTRACTOR
  - 2.1 120 VAC, 5 AMP MIN TO OPERATOR.
  - 2.2 CONTROL CIRCUIT FROM ACTIVATION TO OPERATOR.
3. DOORS, FRAMES, AND HARDWARE BY OTHERS.
4. DOORS MUST BE UN-LATCHED FOR PROPER OPERATION. PROVIDE TIME DELAY RELAY WHEN REQUIRED FOR PROPER OPERATION.
5. OPERATOR AND INSTALLATION TO COMPLY WITH ANSI/BHMA A156.19.
6. SEE SPECIFICATIONS FOR ADDITIONAL INFORMATION.



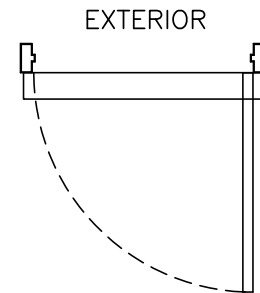
① VERTICAL SECTION



ELEVATION



② HORIZONTAL SECTION



INTERIOR PLAN

**NOTES**

1. DETAILS NOT TO SCALE.
2. ELECTRICAL REQUIREMENTS: BY ELECTRICAL CONTRACTOR
  - 2.1 120 VAC, 5 AMP MIN TO OPERATOR.
  - 2.2 CONTROL CIRCUIT FROM ACTIVATION TO OPERATOR.
3. DOORS, FRAMES, AND HARDWARE BY OTHERS.
4. DOORS MUST BE UN-LATCHED FOR PROPER OPERATION. PROVIDE TIME DELAY RELAY WHEN REQUIRED FOR PROPER OPERATION.
5. OPERATOR AND INSTALLATION TO COMPLY WITH ANSI/BHMA A156.19.
6. SEE SPECIFICATIONS FOR ADDITIONAL INFORMATION.

# MAGIC FORCE

LE OPERATOR, BOTTOM LOAD, HMW FRAME, SURFACE, RH OUT

PROJECT INFORMATION

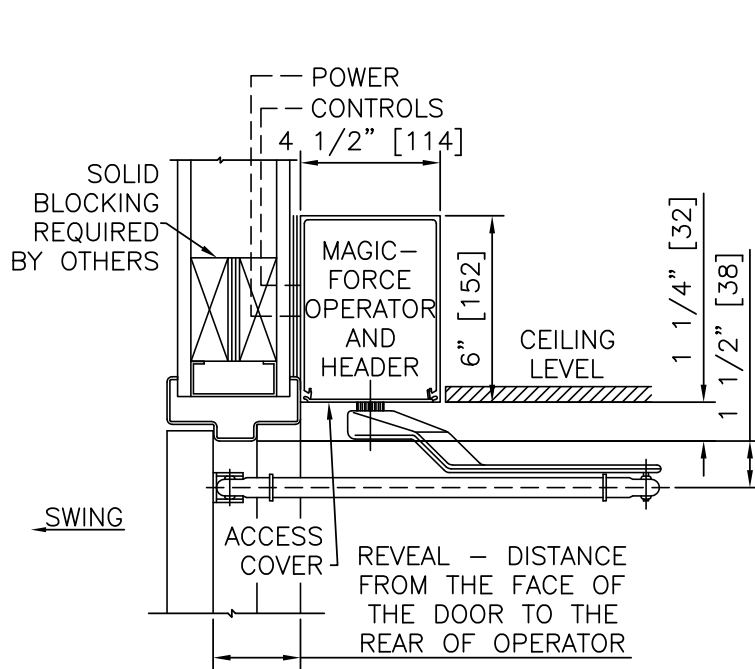
PROJECT NAME:

LOCATION:

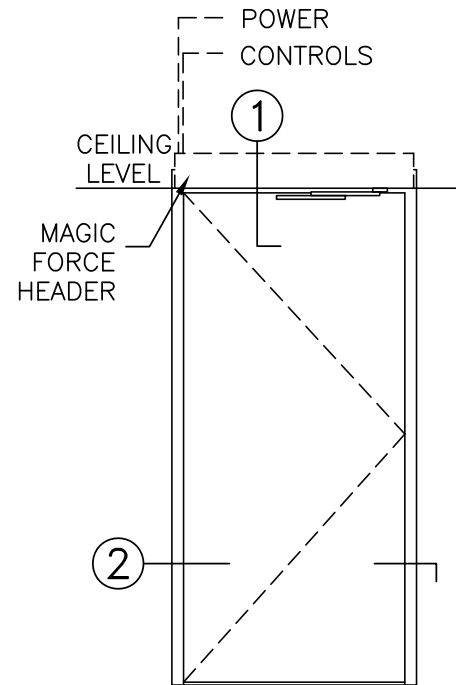
DOOR NUMBER(S):

DATE:

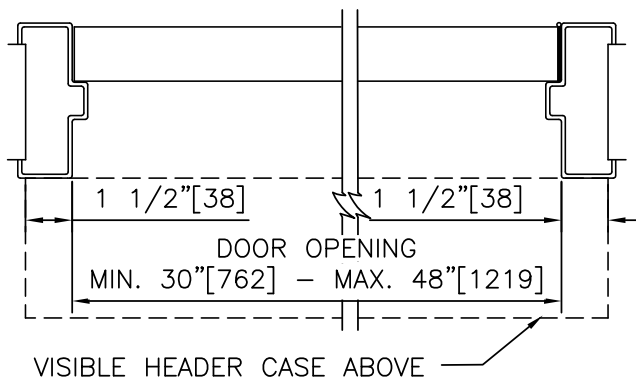
SHEET: OF



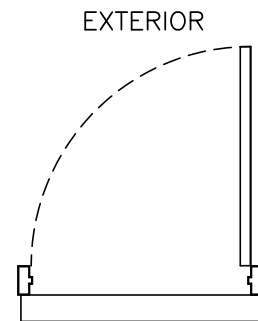
① VERTICAL SECTION



ELEVATION



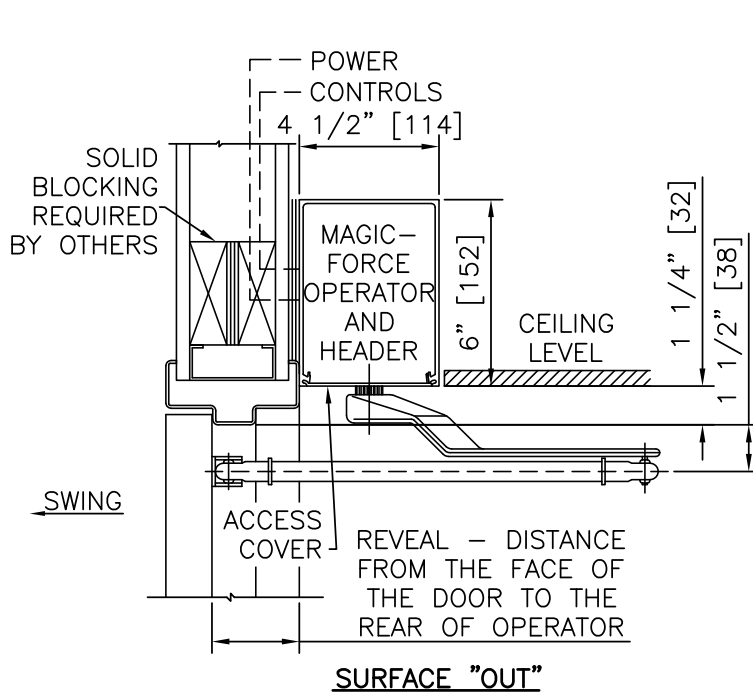
② HORIZONTAL SECTION



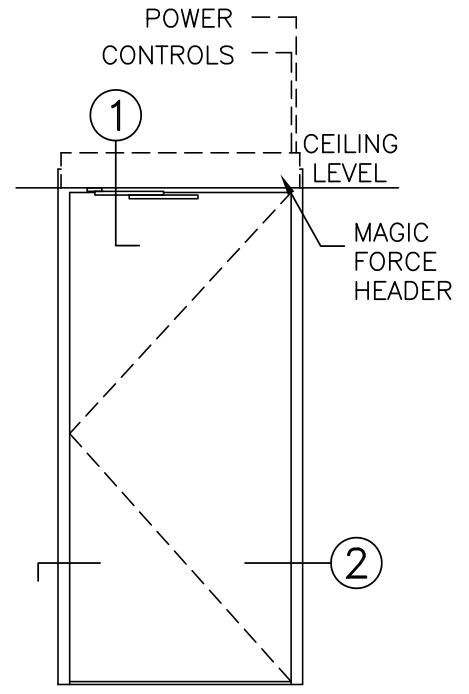
INTERIOR PLAN

NOTES

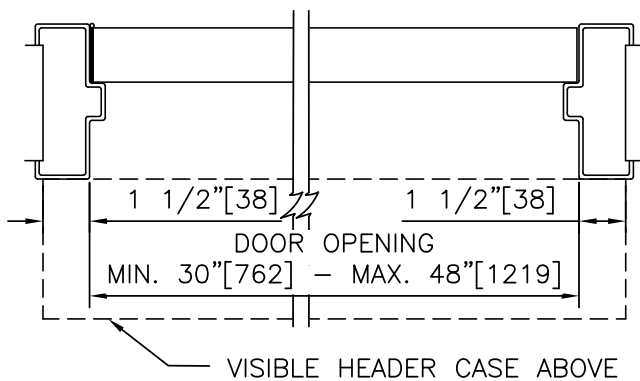
1. DETAILS NOT TO SCALE.
2. ELECTRICAL REQUIREMENTS: BY ELECTRICAL CONTRACTOR
  - 2.1 120 VAC, 5 AMP MIN TO OPERATOR.
  - 2.2 CONTROL CIRCUIT FROM ACTIVATION TO OPERATOR.
3. DOORS, FRAMES, AND HARDWARE BY OTHERS.
4. DOORS MUST BE UN-LATCHED FOR PROPER OPERATION. PROVIDE TIME DELAY RELAY WHEN REQUIRED FOR PROPER OPERATION.
5. OPERATOR AND INSTALLATION TO COMPLY WITH ANSI/BHMA A156.19.
6. SEE SPECIFICATIONS FOR ADDITIONAL INFORMATION.



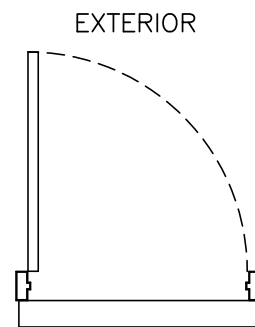
1 VERTICAL SECTION



ELEVATION



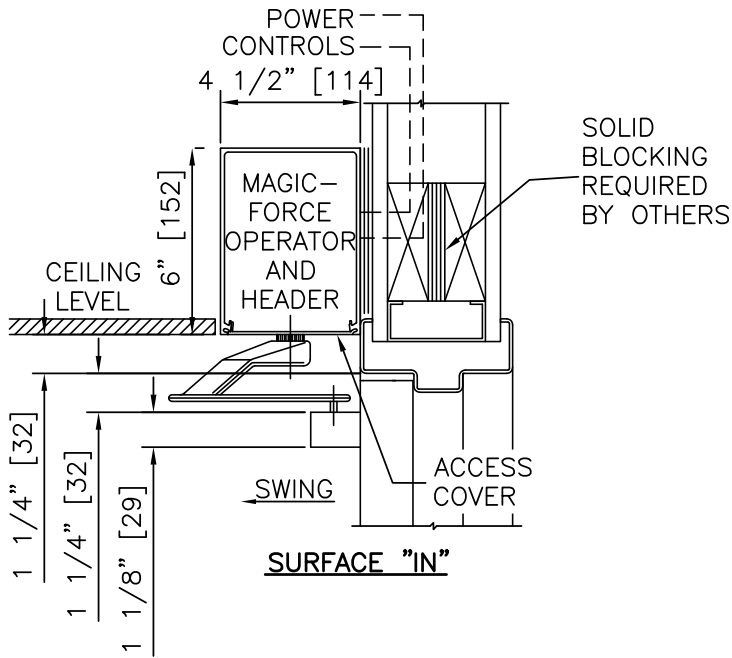
2 HORIZONTAL SECTION



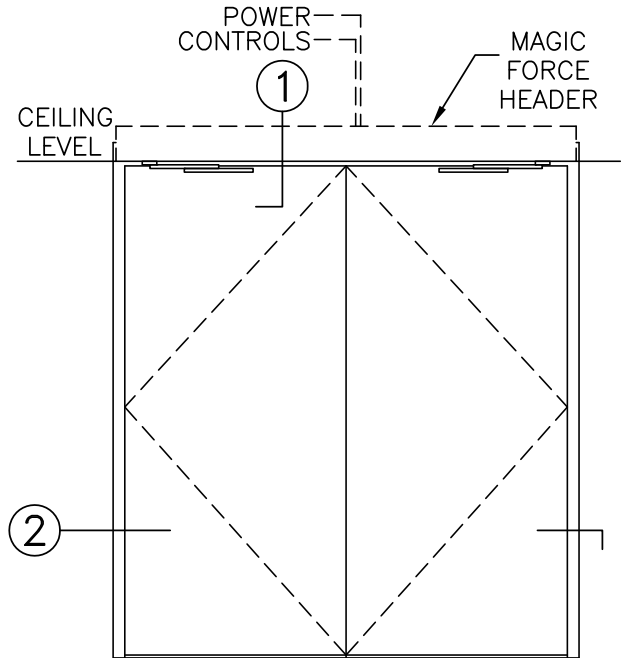
INTERIOR  
PLAN

**NOTES**

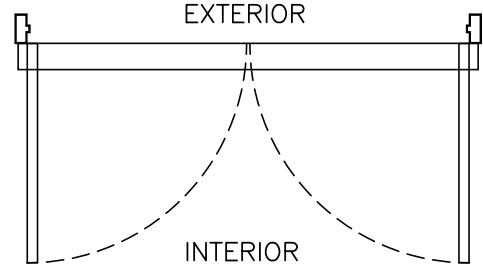
1. DETAILS NOT TO SCALE.
2. ELECTRICAL REQUIREMENTS: BY ELECTRICAL CONTRACTOR
  - 2.1 120 VAC, 5 AMP MIN TO OPERATOR.
  - 2.2 CONTROL CIRCUIT FROM ACTIVATION TO OPERATOR.
3. DOORS, FRAMES, AND HARDWARE BY OTHERS.
4. DOORS MUST BE UN-LATCHED FOR PROPER OPERATION. PROVIDE TIME DELAY RELAY WHEN REQUIRED FOR PROPER OPERATION.
5. OPERATOR AND INSTALLATION TO COMPLY WITH ANSI/BHMA A156.19.
6. SEE SPECIFICATIONS FOR ADDITIONAL INFORMATION.



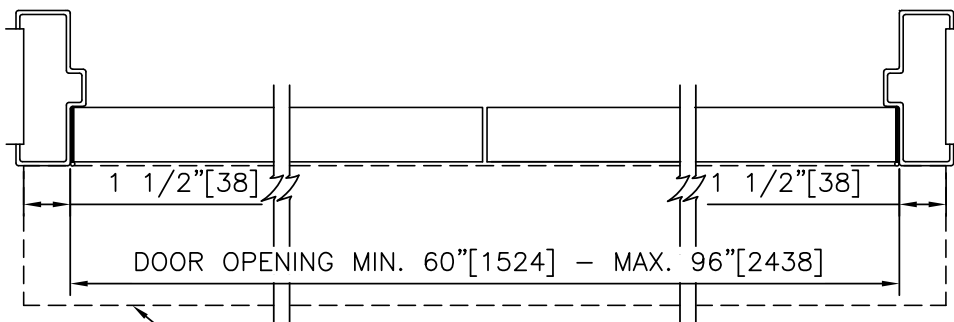
① VERTICAL SECTION



ELEVATION



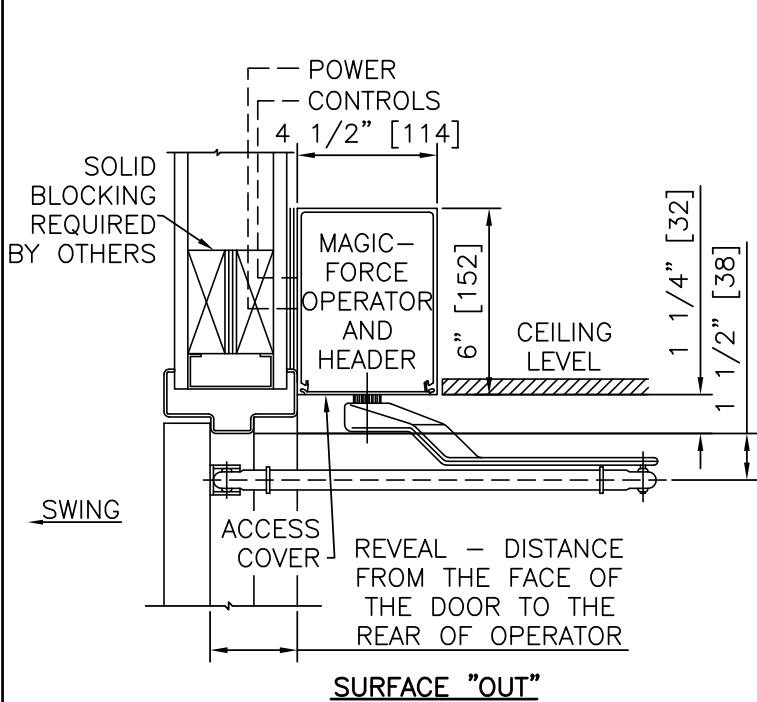
INTERIOR PLAN



② HORIZONTAL SECTION

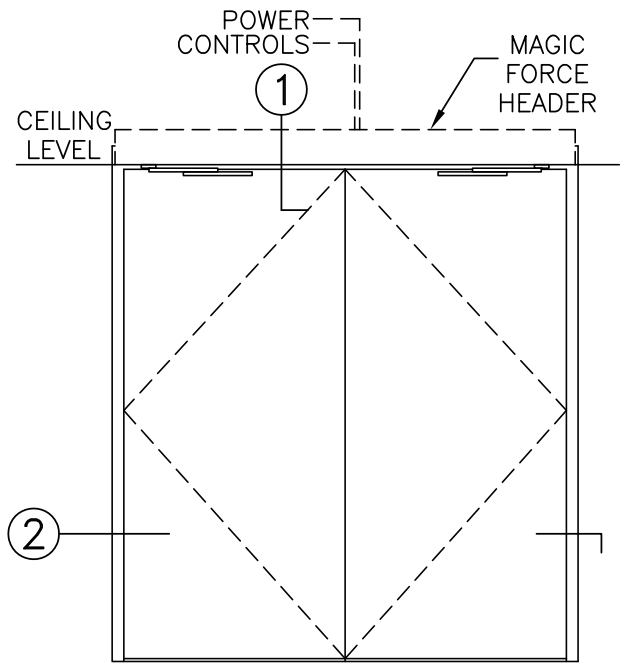
**NOTES**

1. DETAILS NOT TO SCALE.
2. ELECTRICAL REQUIREMENTS: BY ELECTRICAL CONTRACTOR
  - 2.1 120 VAC, 5 AMP MIN TO OPERATOR.
  - 2.2 CONTROL CIRCUIT FROM ACTIVATION TO OPERATOR.
3. DOORS, FRAMES, AND HARDWARE BY OTHERS.
4. DOORS MUST BE UN-LATCHED FOR PROPER OPERATION. PROVIDE TIME DELAY RELAY WHEN REQUIRED FOR PROPER OPERATION.
5. OPERATOR AND INSTALLATION TO COMPLY WITH ANSI/BHMA A156.19.
6. SEE SPECIFICATIONS FOR ADDITIONAL INFORMATION.

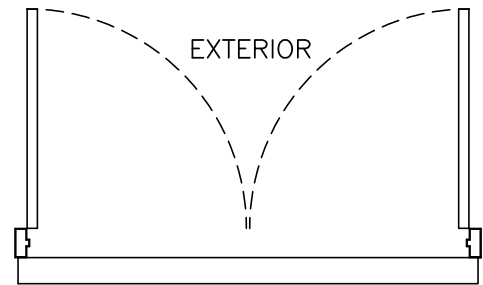


SURFACE "OUT"

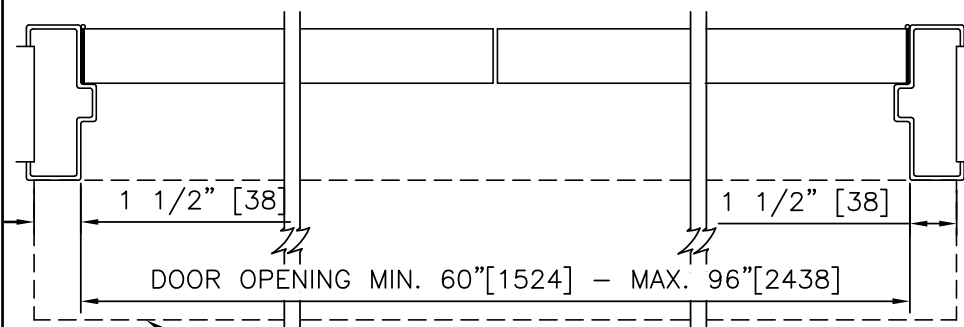
① VERTICAL SECTION



ELEVATION



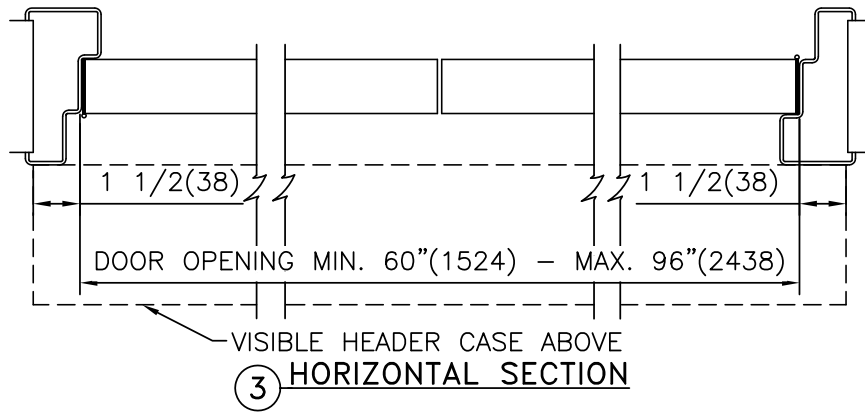
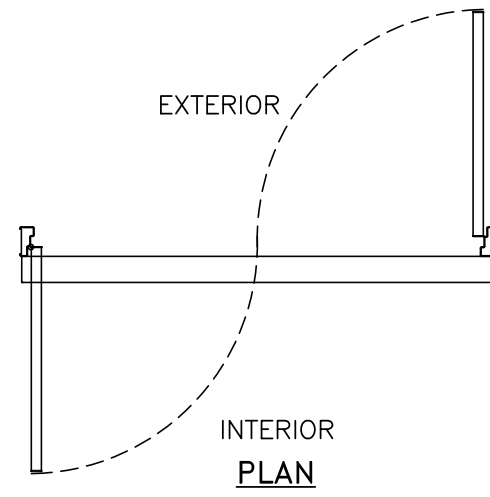
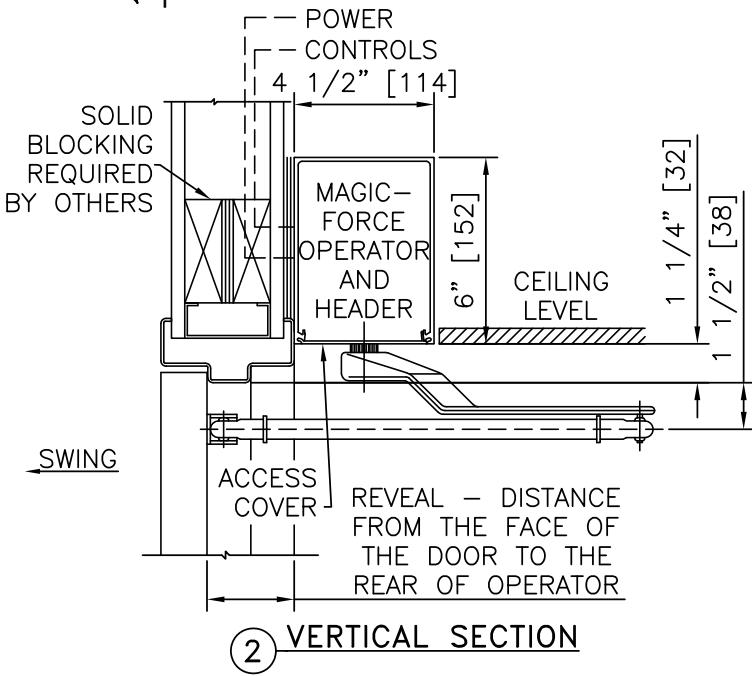
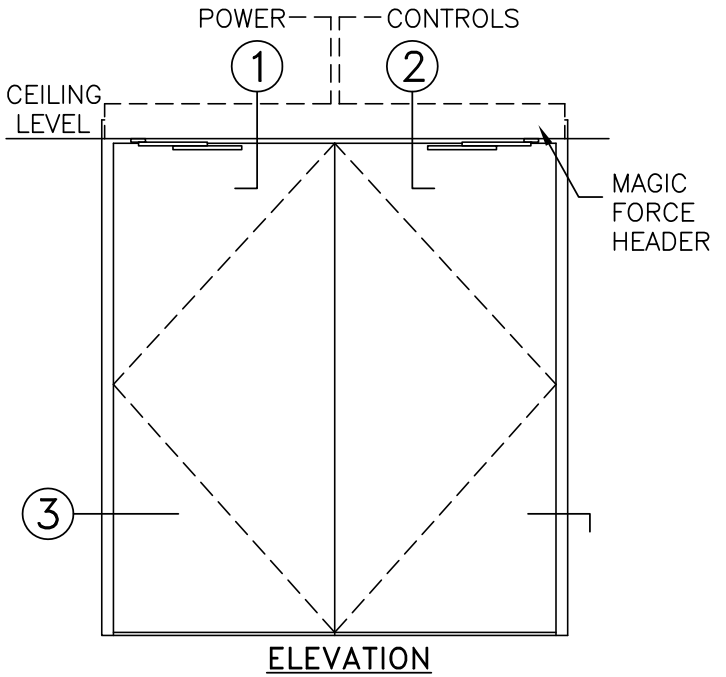
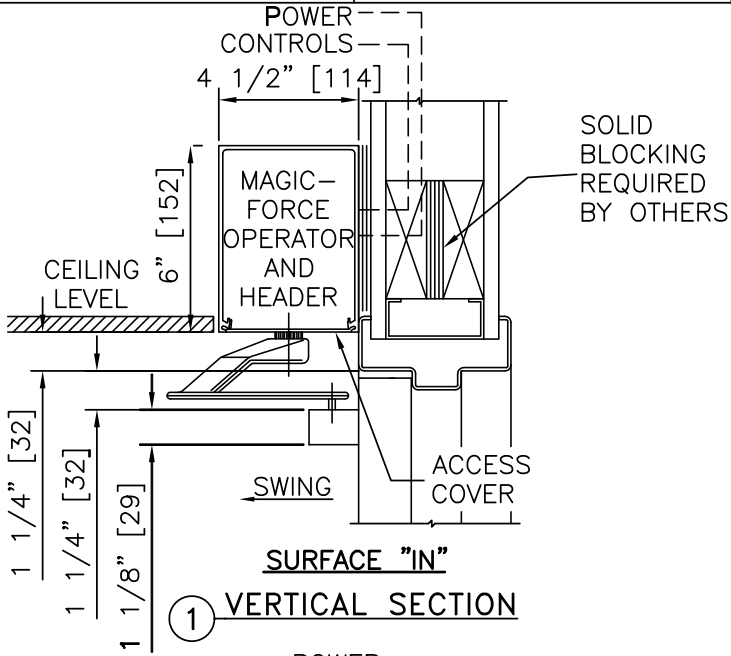
INTERIOR  
PLAN



② HORIZONTAL SECTION

NOTES

1. DETAILS NOT TO SCALE.
2. ELECTRICAL REQUIREMENTS: BY ELECTRICAL CONTRACTOR
  - 2.1 120 VAC, 5 AMP MIN TO OPERATOR.
  - 2.2 CONTROL CIRCUIT FROM ACTIVATION TO OPERATOR.
3. DOORS, FRAMES, AND HARDWARE BY OTHERS.
4. DOORS MUST BE UN-LATCHED FOR PROPER OPERATION. PROVIDE TIME DELAY RELAY WHEN REQUIRED FOR PROPER OPERATION.
5. OPERATOR AND INSTALLATION TO COMPLY WITH ANSI/BHMA A156.19.
6. SEE SPECIFICATIONS FOR ADDITIONAL INFORMATION.



**NOTES**

1. DETAILS NOT TO SCALE.
2. ELECTRICAL REQUIREMENTS: BY ELECTRICAL CONTRACTOR
  - 2.1 120 VAC, 5 AMP MIN TO OPERATOR.
  - 2.2 CONTROL CIRCUIT FROM ACTIVATION TO OPERATOR.
3. DOORS, FRAMES, AND HARDWARE BY OTHERS.
4. DOORS MUST BE UN-LATCHED FOR PROPER OPERATION. PROVIDE TIME DELAY RELAY WHEN REQUIRED FOR PROPER OPERATION.
5. OPERATOR AND INSTALLATION TO COMPLY WITH ANSI/BHMA A156.19.
6. SEE SPECIFICATIONS FOR ADDITIONAL INFORMATION.