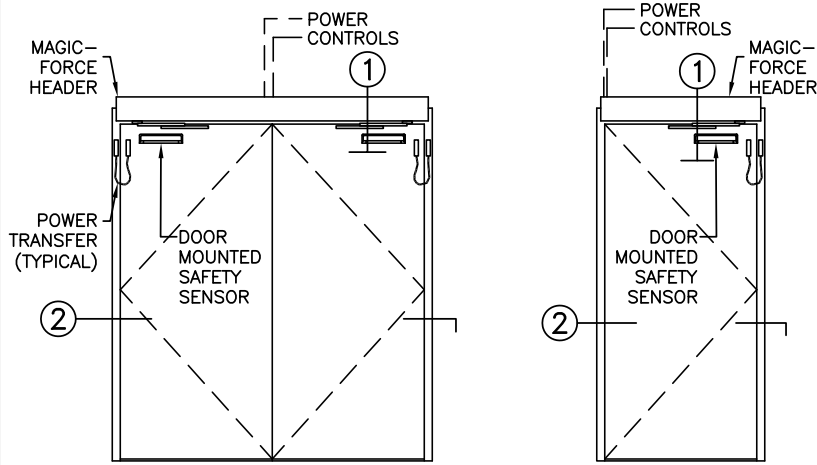


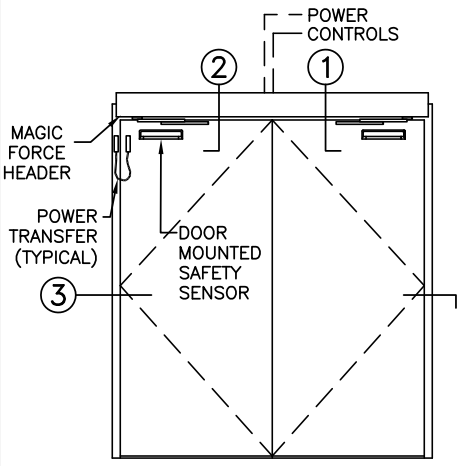


MAGIC-FORCE™ WITH SWING-GUARD™

FULL ENERGY OPERATOR ON H.M./WOOD DOOR & FRAME	
PROJECT INFORMATION	
PROJECT NAME:	
LOCATION:	
DOOR NUMBER(S):	
DATE:	SHEET: OF

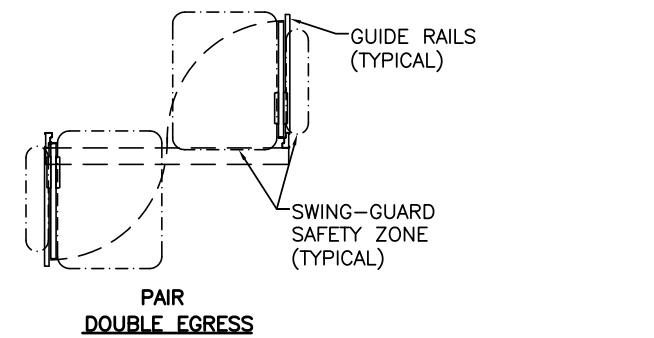
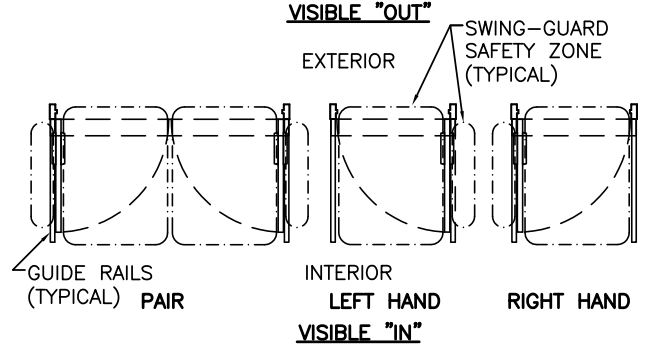
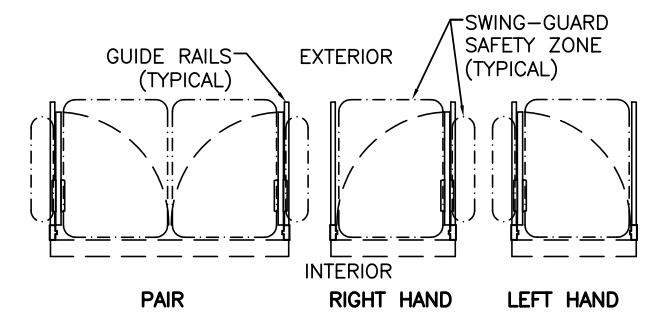


PAIR VISIBLE
SINGLE VISIBLE

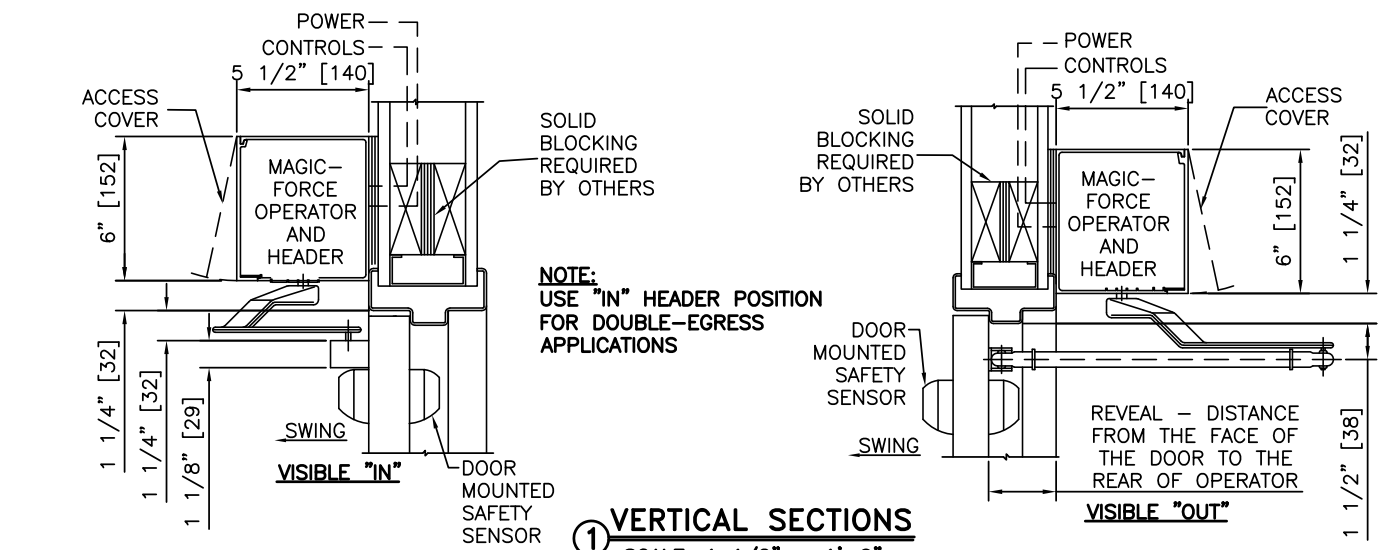


DOUBLE EGRESS

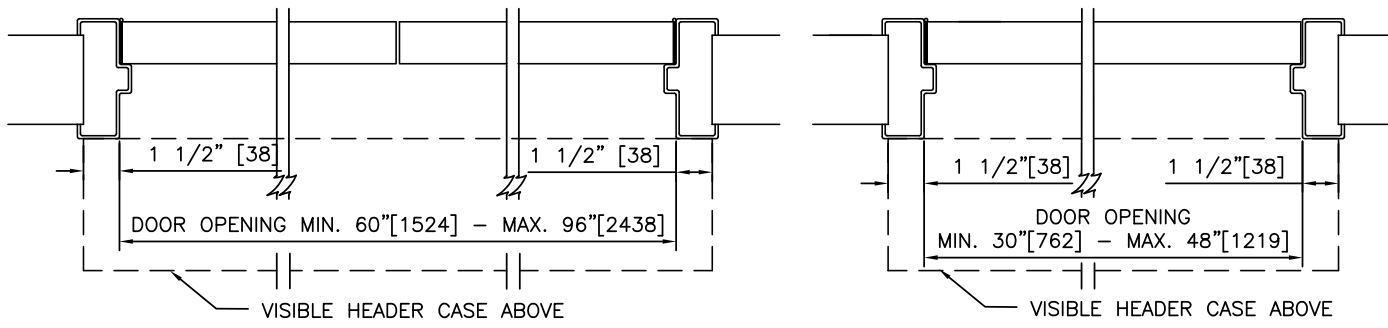
ELEVATIONS
SCALE: 1/4" = 1'-0"



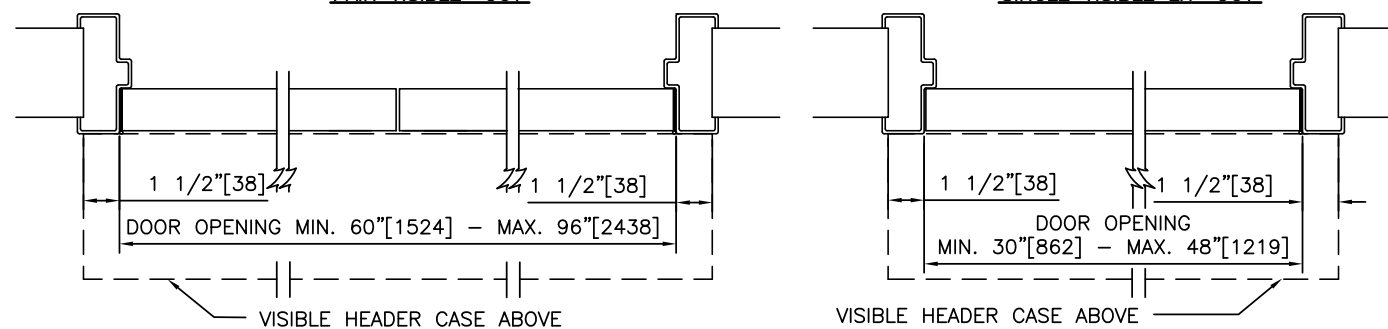
PLAN VIEWS
SCALE: 3/16" = 1'-0"



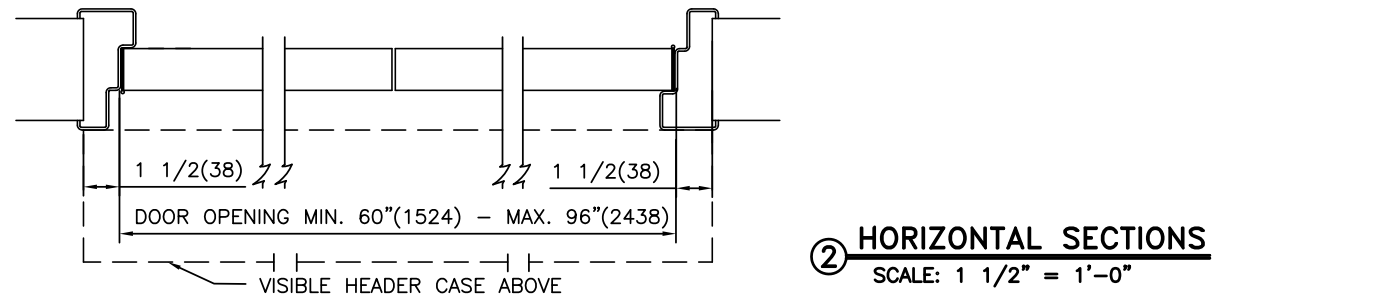
① VERTICAL SECTIONS
SCALE: 1 1/2" = 1'-0"



PAIR VISIBLE "OUT"
SINGLE VISIBLE LH "OUT"



PAIR VISIBLE "IN"
SINGLE VISIBLE LH "IN"



DOUBLE EGRESS

② HORIZONTAL SECTIONS
SCALE: 1 1/2" = 1'-0"

- NOTES**
- ELECTRICAL REQUIREMENTS: BY ELECTRICAL CONTRACTOR
 - 1.1 120 VAC, 5 AMP MIN TO OPERATOR.
 - 1.2 CONTROL CIRCUIT FROM ACTIVATION TO OPERATOR.
 - DOORS, FRAMES, AND HARDWARE BY OTHERS.
 - DOORS MUST BE UN-LATCHED FOR PROPER OPERATION. PROVIDE TIME DELAY RELAY WHEN REQUIRED FOR PROPER OPERATION.
 - LIMITS OF ACTIVATION AND SAFETY ZONES ARE PROVIDED FOR REFERENCE ONLY; SEE ANSI/BHMA A156.10 FOR SPECIFIC REQUIREMENTS.
 - OPERATOR AND INSTALLATION TO COMPLY WITH ANSI/BHMA A156.10.
 - SEE SPECIFICATIONS FOR ADDITIONAL INFORMATION.

FULL ENERGY OPERATOR ON H.M./WOOD DOOR & FRAME

MAGIC-FORCE™ WITH SWING-GUARD™

STANLEY Security

ACCESS TECHNOLOGIES