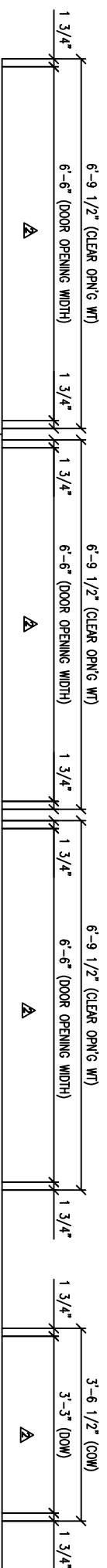


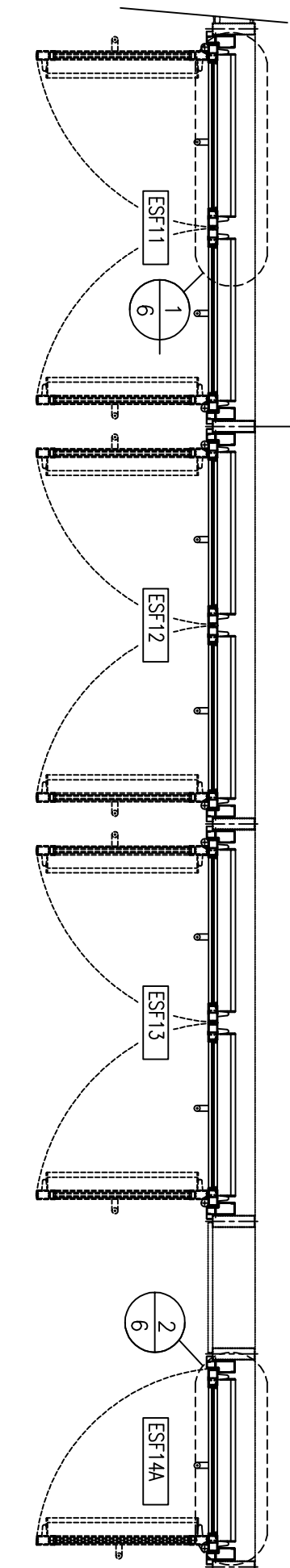
FINISH NOTE:
 FINISH= ST.ST. No.4 FINISH
 DR. WG. GLASS TINT= CLEAR

NOTE: ALL OPENING WIDTHS CONFIRMED
 FROM SITE VISIT DEC 7/00



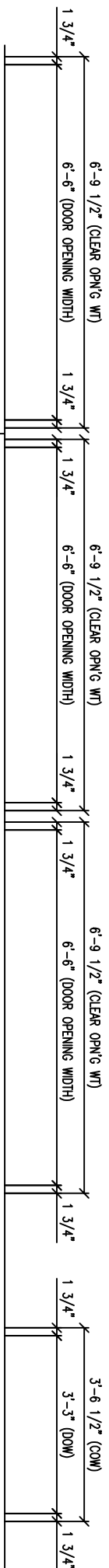
ESF11,12,13 HARDWARE LIST:

1. RIXON FLOOR CLOSER PH2790AH0 x SC x CNF US2BD w/ TOP PIVOT.
2. RIXON INTERMEDIATE PIVOT CS-M19 US2BD.
3. VON DUPRIN 5547EO PANIC DEVICE x US32D.
4. VON DUPRIN CYLINDER.
5. VON DUPRIN OVERHEAD STOP #1 CONCEALED US2BD.
6. ELKES PULL HANDLE T34-01-001 - US32D AT 50 1/8" CENTERS



ESF14A HARDWARE LIST:

1. RIXON FLOOR CLOSER PH2790AH0 x SC x CNF US2BD w/ TOP PIVOT.
2. RIXON INTERMEDIATE PIVOT CS-M19 US2BD.
3. VON DUPRIN 5547EO PANIC DEVICE x US32D.
4. VON DUPRIN OVERHEAD STOP #1 CONCEALED US2BD.
5. ELKES PULL HANDLE T34-01-001 - US32D AT 50 1/8" CENTERS
6. MAGIC FORCE POWER OPERATOR



ESF07,8,9 HARDWARE LIST:

1. RIXON FLOOR CLOSER PH2790AH0 x SC x CNF US2BD w/ TOP PIVOT.
2. RIXON INTERMEDIATE PIVOT CS-M19 US2BD.
3. VON DUPRIN 5547EO x 555NL PANIC DEVICE x CYLINDER ASSY. x REINFORCED CROSSBAR x US32D.
4. VON DUPRIN CYLINDER.
5. VON DUPRIN OVERHEAD STOP #1 CONCEALED US2BD.
6. ELKES PULL HANDLE T34-01-001 - US32D AT 50 1/8" CENTERS

ESF10A HARDWARE LIST:

1. RIXON FLOOR CLOSER PH2790AH0 x SC x CNF US2BD w/ TOP PIVOT.
2. RIXON INTERMEDIATE PIVOT CS-M19 US2BD.
3. VON DUPRIN 5547EO x 555NL PANIC DEVICE x CYLINDER ASSY. x REINFORCED CROSSBAR x US32D.
4. VON DUPRIN CYLINDER.
5. VON DUPRIN OVERHEAD STOP #1 CONCEALED US2BD.
6. ELKES PULL HANDLE T34-01-001 - US32D AT 50 1/8" CENTERS
7. MAGIC FORCE POWER OPERATOR

SOUTHWEST ENTRANCE PLAN

SCALE: 3/4"=1'-0"

Date	REVISIONS	By	Issue
3/29/00	REVISED AS NOTED	JV	Δ
5/29/00	REVISED AS NOTED	JV	Δ
No.	ISSUED	Date	
Δ	FOR APPROVAL	1/7/2000	
Δ	FOR APPROVAL	4/2/00	
Δ	FOR APPROVAL	6/6/00	
Δ	REVISED AS NOTED	MW, 10/00	
Δ	REVISED AS NOTED	EC 21/00	

IMPORTANT NOTICE

C.J.Rush Industries wishes to bring to your attention the following, for which we assume NO RESPONSIBILITY:
 (1) The use of these drawings by other parties is the sole responsibility of that party as to site conditions, measurements, etc..
 (2) Movement of structures by forces causing mis-alignment and improper function of our product.
 (3) Results of glass breakage causing bodily harm through improper use or mishandling.
 NOTE—Available for use in limited areas are bent/unbent glass in lieu of bent annealed plate glass.
 —Specifications prevail at time of quotation issued by C.J.Rush Industries.

SPECIAL REFERENCE NOTE

Very often the method of manufacturing as shown on these shop drawings are a development of the skills of the company. Any reproduction and/or distribution in whole or in part, without expressed or written consent is strictly prohibited.
 C.J.Rush Industries.



REVOLVING DOORS
 HANDICAP DOORS
 SECURITY DOORS
 CUSTOM ARCHITECTURAL METAL WORKS

A DIVISION OF CHARGE INDUSTRIES, INC.
 65 RIVERA DRIVE MARKHAM, ON L3R 5J6
 ONTARIO, CANADA Tel. 905-944-8005
 1-888-301-5407 FAX No. 905-944-8006

SWING DOOR PIVOTS

BUILDING	
LOCATION	
ARCH-ENG.	
CONTRACTOR	
Drawn by	Job No.
Checked by	
Scale	AS SHOWN
Date	8/3/99
Finish	AS SHOWN
Dwg. No.	SWPDR-001