



ADD SAFETY, CONVENIENCE AND ENERGY SAVINGS TO LOW ENERGY AUTOMATIC DOORS

SWING-GUARD® LE SENSOR FOR MAGIC-FORCE™ LOW ENERGY

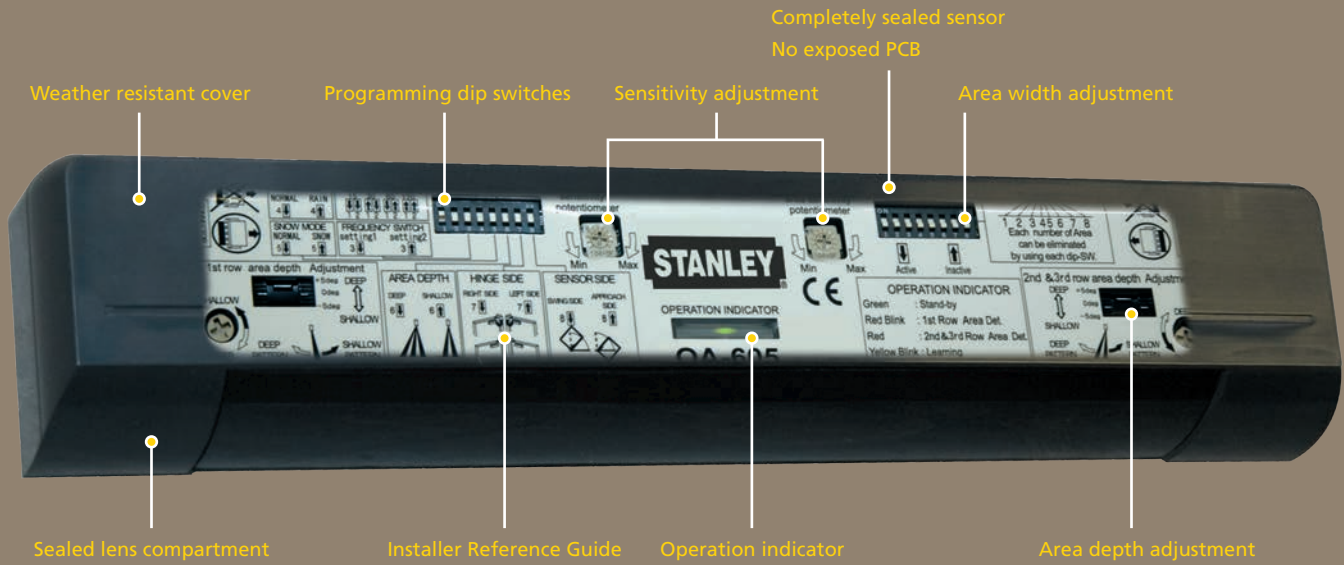
- **INCREASE SAFETY** on all low energy doors. The Swing-Guard LE keeps the door open until the user has cleared the swing path of the door.
- **CONVENIENCE.** Signals a closing door to re-open if another person approaches from the push side. Once the door closes fully, the Swing-Guard LE shuts off.
- **ENERGY SAVINGS.** Since the Swing-Guard LE only keeps the door open while people are present, opening time is typically reduced which can save on heating and cooling costs.
- **EXCEEDS ANSI STANDARDS**
- **WEATHER IMMUNITY.** The Swing-Guard LE Swing Door Safety System has built-in adjustments that allow it to work reliably even in the harshest environments.

FLEXIBLE APPLICATION.

The Swing Guard LE can be easily configured in the field to operate in one of three modes to fit your specific application need.

- Always enabled (both manual door use and knowing act activation)
- Only enabled after a push plate activation
- Enabled after a push plate activation or after the door reaches full opening from manual use.

SWING-GUARD® LE SENSOR FOR MAGIC-FORCE™ LOW ENERGY



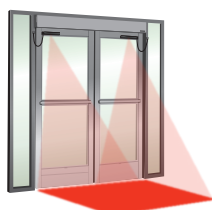
Product Specification

Model (System name)	Swing-Guard LE Swing Door Safety System
Power supply	12 to 24 VAC ±10% (50/60 Hz) 12 to 30 VDC
Power consumption	< 1.5W (<4VA at AC)
Output *	CMOS.Relay Voltage / 5 VDC
Output hold time	0.5 sec. fixed (Activate output) 0.5 sec. to 10 sec. (Stall output)
Response time	<0.3 sec.
Operating temperature	-20 to +55°C (-4 to 131°F)
Operating humidity	<80%
Accessories	1 Operation manual; 1 Installation manual; 8 Mounting screws; 2 Mounting templates; 1 Communication cable 0.2m (8"); 1 Communication cable 2.2m (7'3"); 1 Wiring cable 0.6m (2'); 1 Flexible wire shroud; 1 Velcro tape; 2 Hexagon standoffs ***

Sensor head	1 per panel
Cover color	Black
Height	2 1/4" (56.5mm)
Depth	1 1/4" (32mm)
Width	10 3/4" (275mm)
Mounting height	2.0 (6'7") to 2.5m (8'2")
Detection method	Active infrared reflection (Presence Detection)
Depth angle adjustment	1st row area ±5° 2nd & 3rd row area ±5°
IP rate	IP44
Weight	230g (8.1oz)
Controller Weight	65g (2.3oz)
Communication Board Weight	15g (0.5oz)

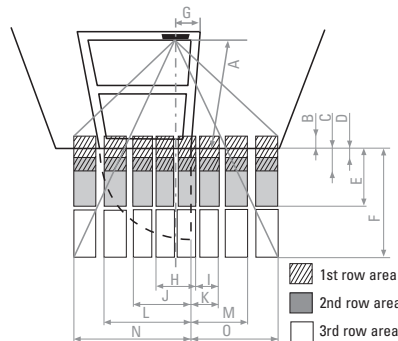


Single swing door



Simultaneous pair swing doors

The Swing-Guard LE Safety System can be used on doors equipped with Magic Force Low Energy Operator
Sensor activates immediately when push bottom is pressed and provides reactivation in open position



Specifications subject to change
* One type of outputs (Activation)

A	2000 (6'7")	2300 (7'6")
B	186 (7")	214 (8")
C	360 (1'4")	414 (1'4")
D	152 (6")	175 (7")
E	840 (2'9")	966 (3'2")
F	1650 (5'5")	1898 (6'2")
G	252 (10")	252 (10")
H	593 (1'11")	645 (2'1")
I	89 (3")	141 (6")
J	911 (3")	1010 (3'4")
K	407 (1'4")	506 (1'8")
L	1275 (4'2")	1428 (4'8")
M	770 (2'6")	924 (3")
N	1684 (5'6")	1900 (6'3")
O	1180 (3'10")	1395 (4'7")

Values with depth adj.
angle of +5° for all 3 rows