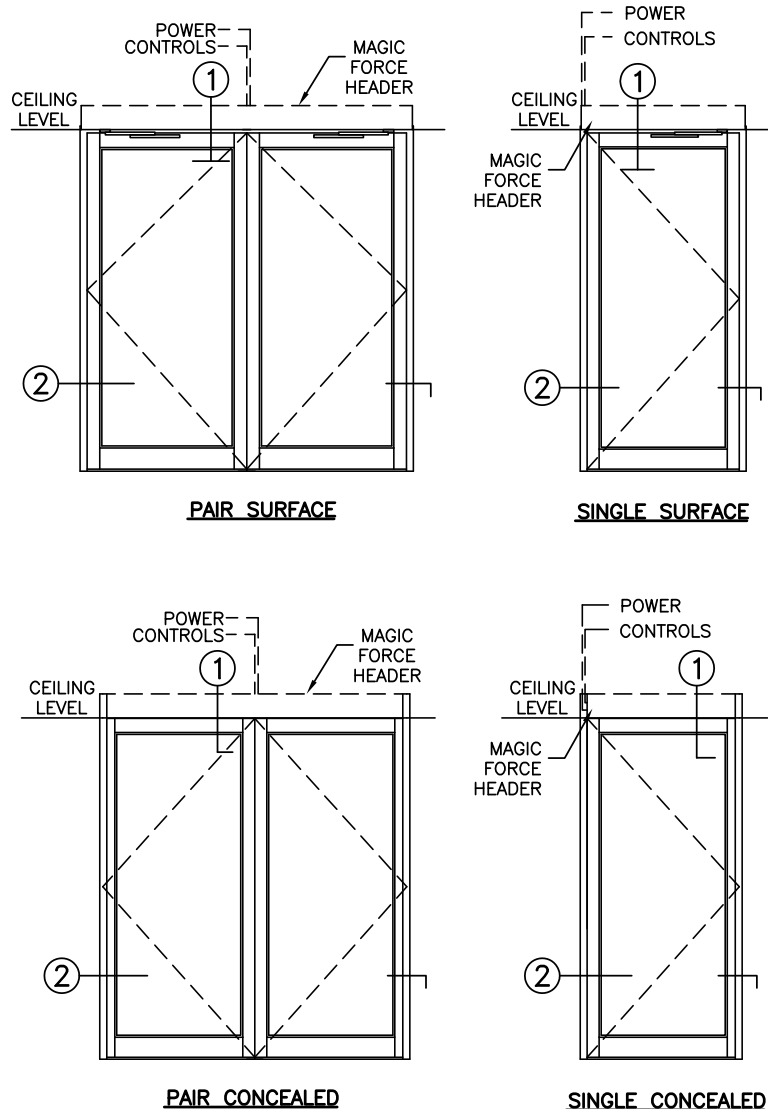


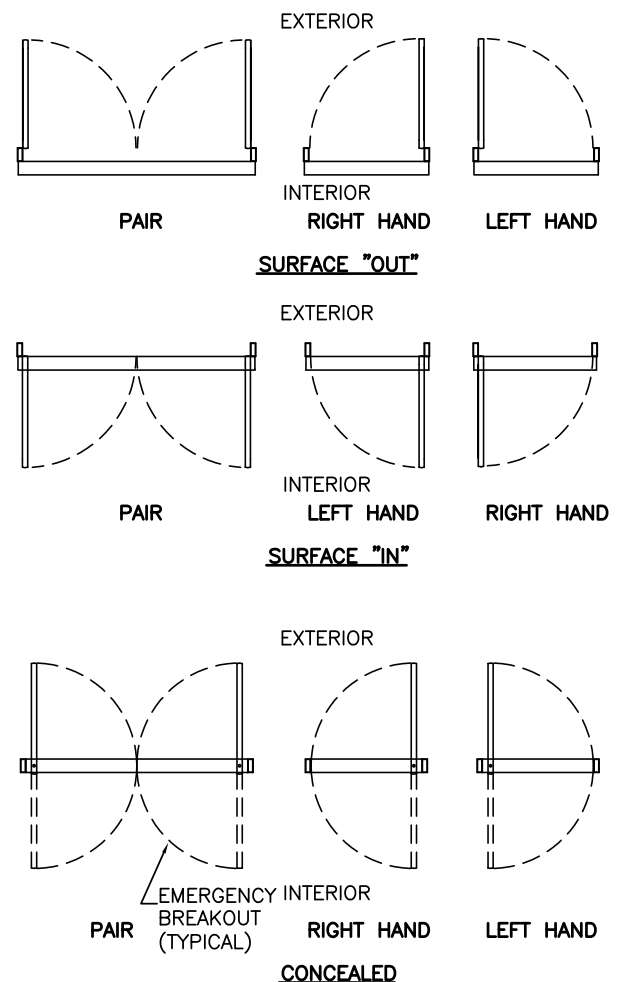


MAGIC FORCE

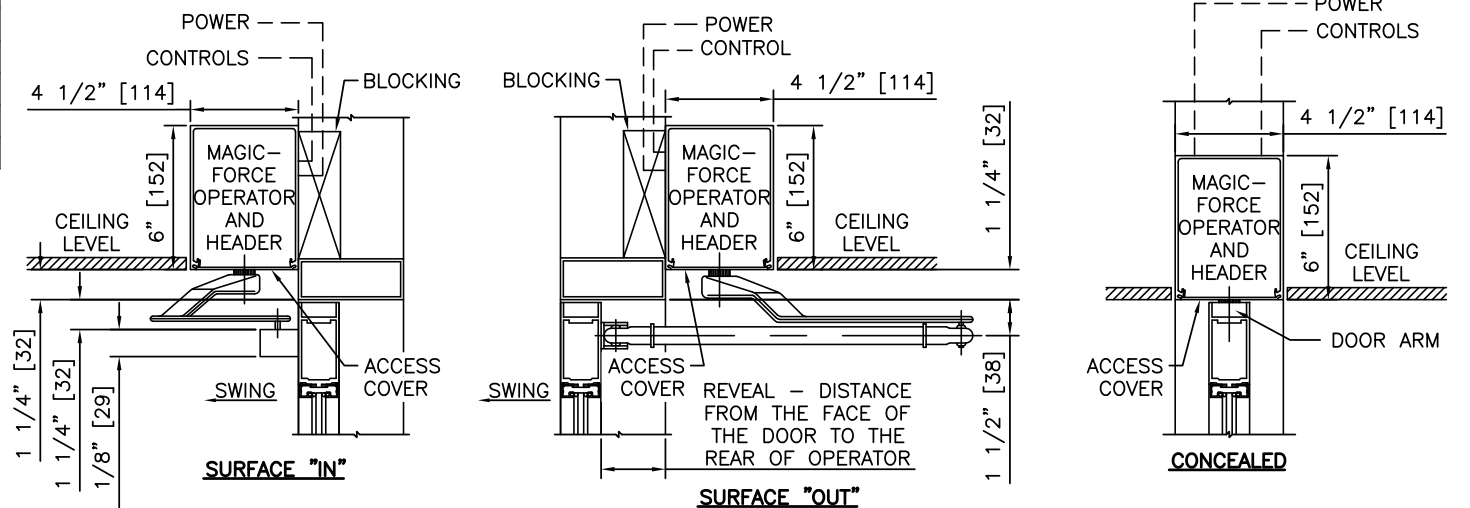
LOW-ENERGY OPERATOR, BOTTOM LOAD, ALUMINUM DOOR & FRAME	
PROJECT INFORMATION	
PROJECT NAME:	
LOCATION:	
DOOR NUMBER(S):	
DATE:	SHEET: OF



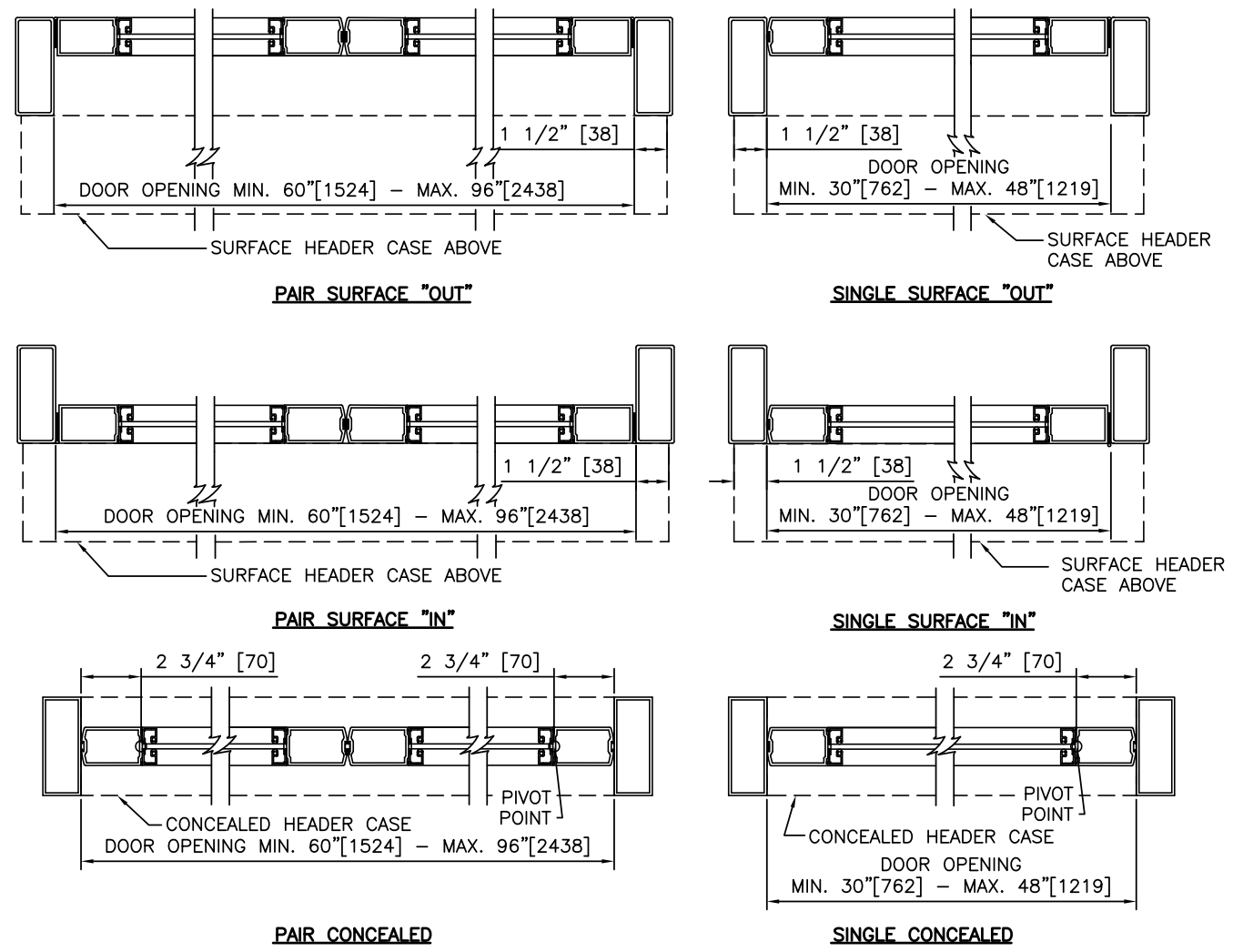
ELEVATIONS
SCALE: 1/4" = 1'-0"



PLAN VIEWS
SCALE: 3/16" = 1'-0"



1 VERTICAL SECTIONS
SCALE: 1 1/2" = 1'-0"



2 HORIZONTAL SECTIONS
SCALE: 1 1/2" = 1'-0"

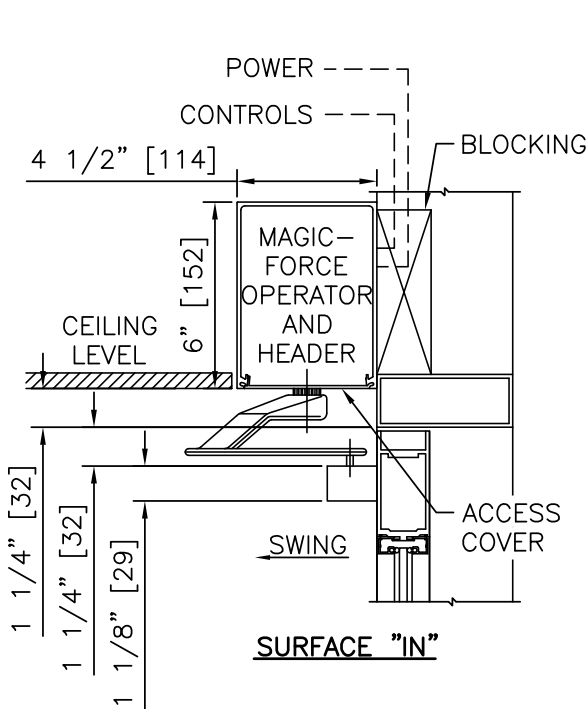
- NOTES**
- ELECTRICAL REQUIREMENTS: BY ELECTRICAL CONTRACTOR
 - 1.1 120 VAC, 5 AMP MIN TO OPERATOR.
 - 1.2 CONTROL CIRCUIT FROM ACTIVATION TO OPERATOR.
 - DOORS, FRAMES, AND HARDWARE BY OTHERS.
 - DOORS MUST BE UN-LATCHED FOR PROPER OPERATION. PROVIDE TIME DELAY RELAY WHEN REQUIRED FOR PROPER OPERATION.
 - OPERATOR AND INSTALLATION TO COMPLY WITH ANSI/BHMA A156.19.
 - SEE SPECIFICATIONS FOR ADDITIONAL INFORMATION.

LOW-ENERGY OPERATOR, BOTTOM LOAD, ALUMINUM DOOR & FRAME

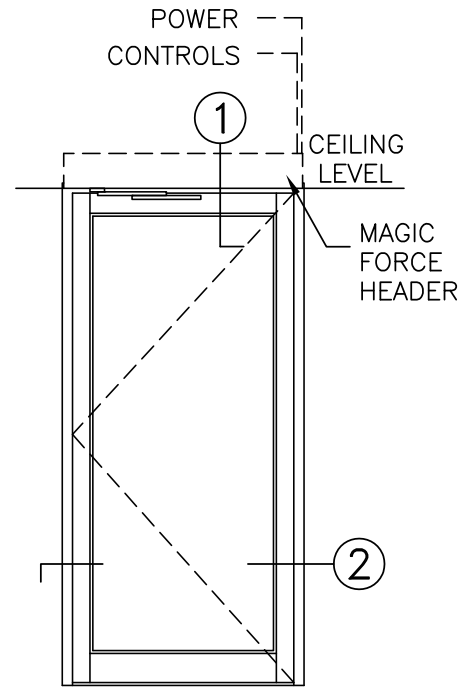
MAGIC FORCE

STANLEY Security

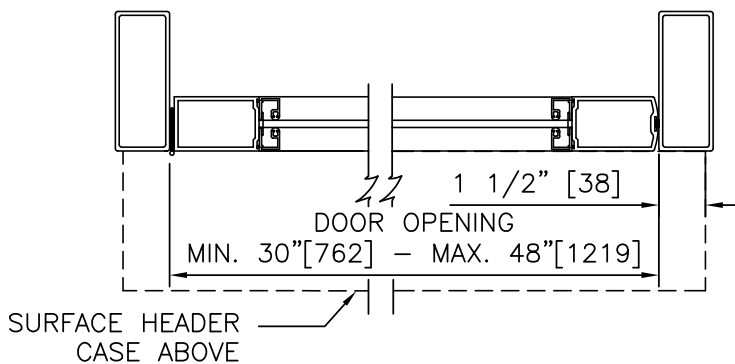
ACCESS TECHNOLOGIES



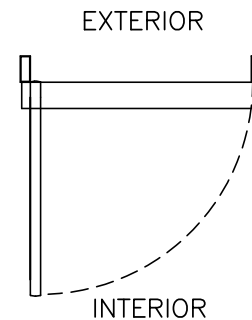
① VERTICAL SECTION



ELEVATION



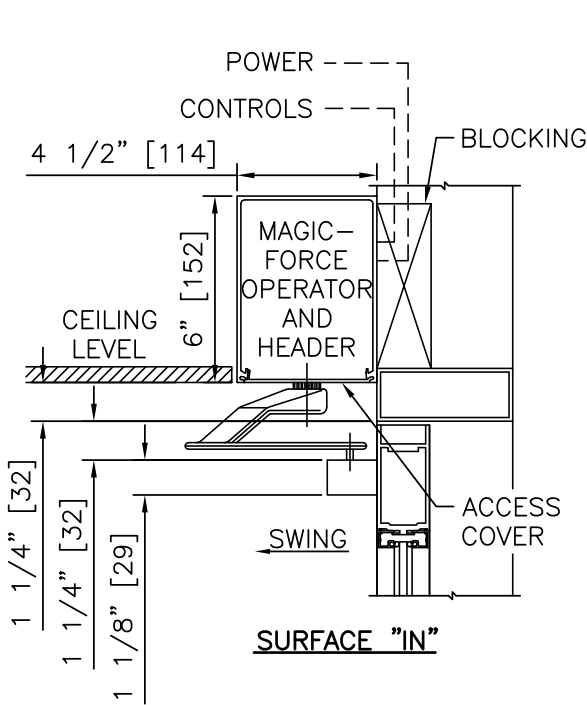
② HORIZONTAL SECTION



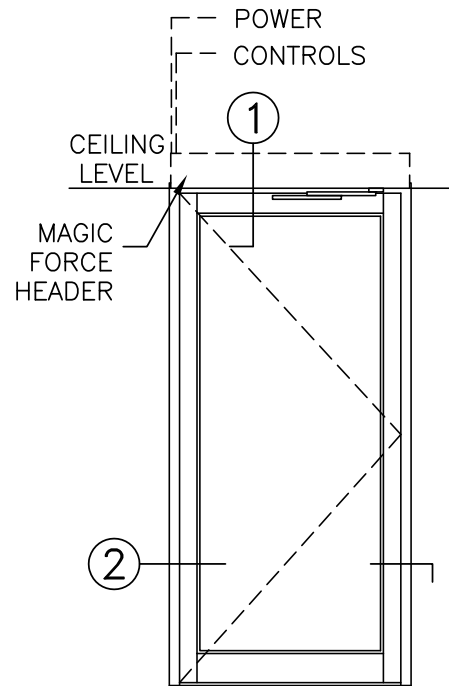
PLAN

NOTES

1. DETAILS NOT TO SCALE.
2. ELECTRICAL REQUIREMENTS: BY ELECTRICAL CONTRACTOR
 - 2.1 120 VAC, 5 AMP MIN TO OPERATOR.
 - 2.2 CONTROL CIRCUIT FROM ACTIVATION TO OPERATOR.
3. DOORS, FRAMES, AND HARDWARE BY OTHERS.
4. DOORS MUST BE UN-LATCHED FOR PROPER OPERATION. PROVIDE TIME DELAY RELAY WHEN REQUIRED FOR PROPER OPERATION.
5. OPERATOR AND INSTALLATION TO COMPLY WITH ANSI/BHMA A156.19.
6. SEE SPECIFICATIONS FOR ADDITIONAL INFORMATION.

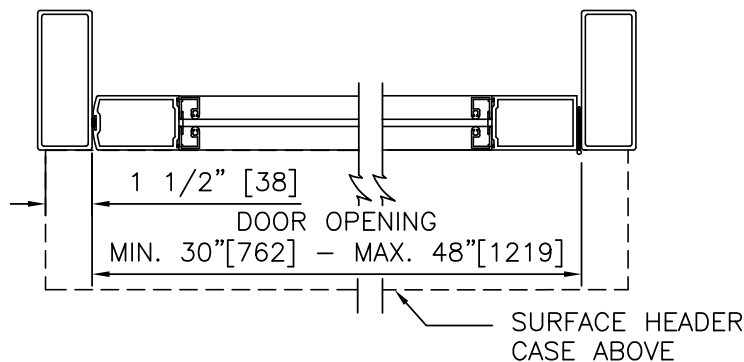


① VERTICAL SECTION

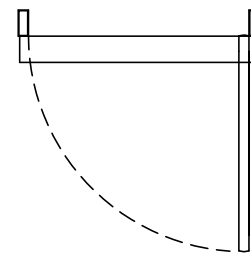


ELEVATION

EXTERIOR



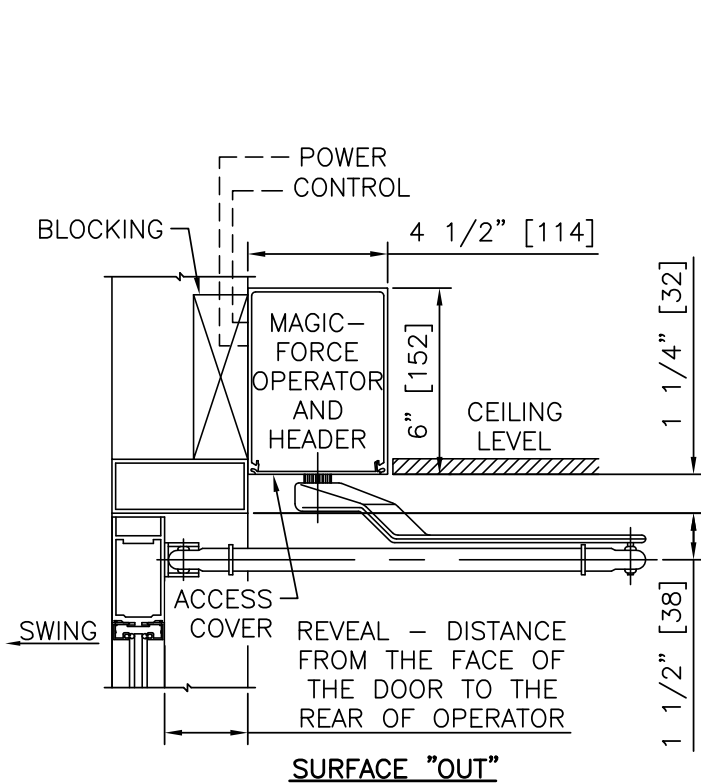
② HORIZONTAL SECTION



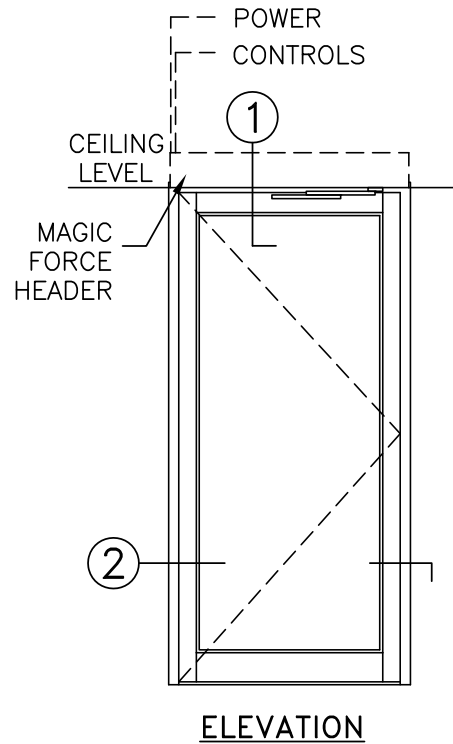
INTERIOR
PLAN

NOTES

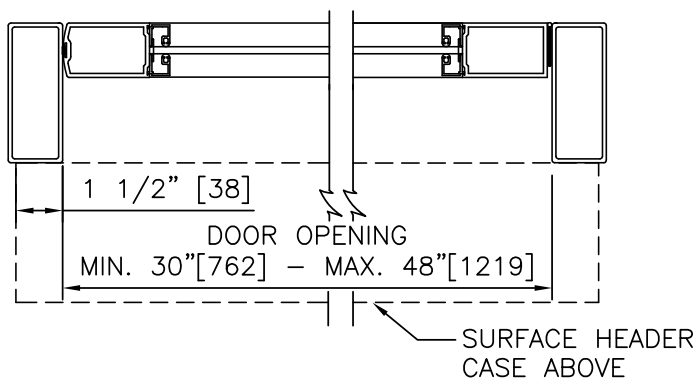
1. DETAILS NOT TO SCALE.
2. ELECTRICAL REQUIREMENTS: BY ELECTRICAL CONTRACTOR
 - 2.1 120 VAC, 5 AMP MIN TO OPERATOR.
 - 2.2 CONTROL CIRCUIT FROM ACTIVATION TO OPERATOR.
3. DOORS, FRAMES, AND HARDWARE BY OTHERS.
4. DOORS MUST BE UN-LATCHED FOR PROPER OPERATION. PROVIDE TIME DELAY RELAY WHEN REQUIRED FOR PROPER OPERATION.
5. OPERATOR AND INSTALLATION TO COMPLY WITH ANSI/BHMA A156.19.
6. SEE SPECIFICATIONS FOR ADDITIONAL INFORMATION.



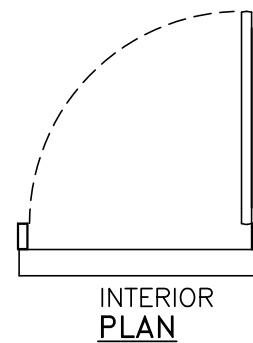
① VERTICAL SECTION



EXTERIOR

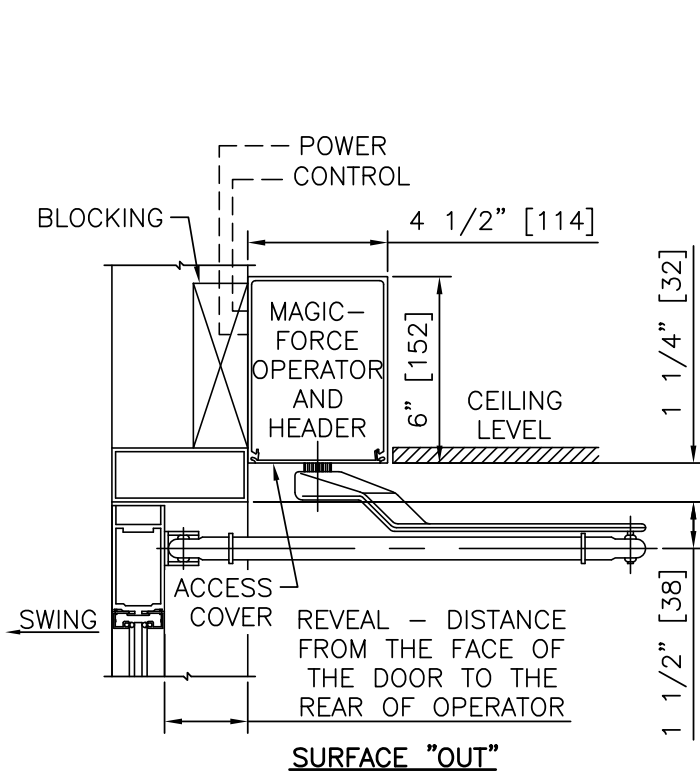


② HORIZONTAL SECTION

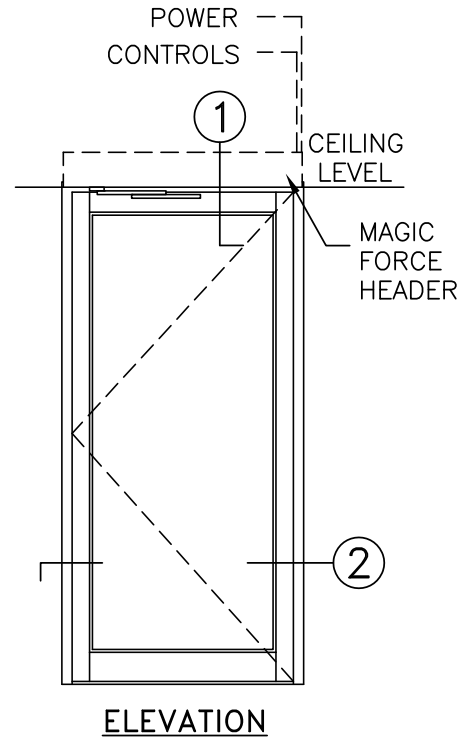


NOTES

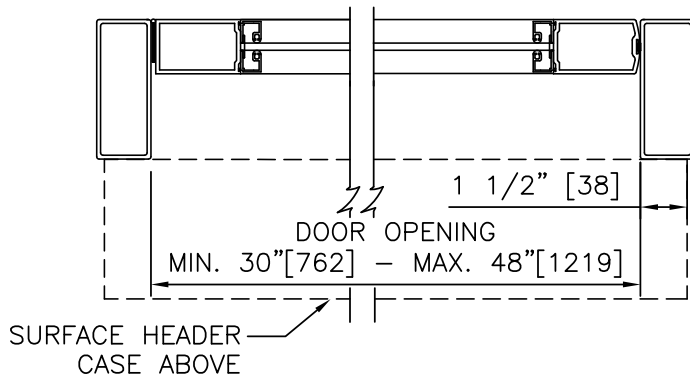
1. DETAILS NOT TO SCALE.
2. ELECTRICAL REQUIREMENTS: BY ELECTRICAL CONTRACTOR
 - 2.1 120 VAC, 5 AMP MIN TO OPERATOR.
 - 2.2 CONTROL CIRCUIT FROM ACTIVATION TO OPERATOR.
3. DOORS, FRAMES, AND HARDWARE BY OTHERS.
4. DOORS MUST BE UN-LATCHED FOR PROPER OPERATION. PROVIDE TIME DELAY RELAY WHEN REQUIRED FOR PROPER OPERATION.
5. OPERATOR AND INSTALLATION TO COMPLY WITH ANSI/BHMA A156.19.
6. SEE SPECIFICATIONS FOR ADDITIONAL INFORMATION.



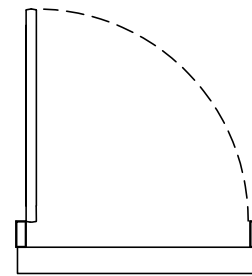
① VERTICAL SECTION



EXTERIOR



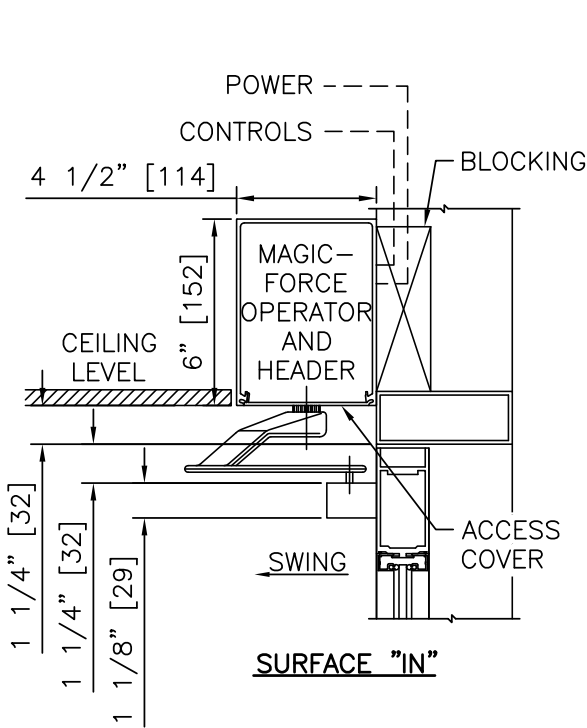
② HORIZONTAL SECTION



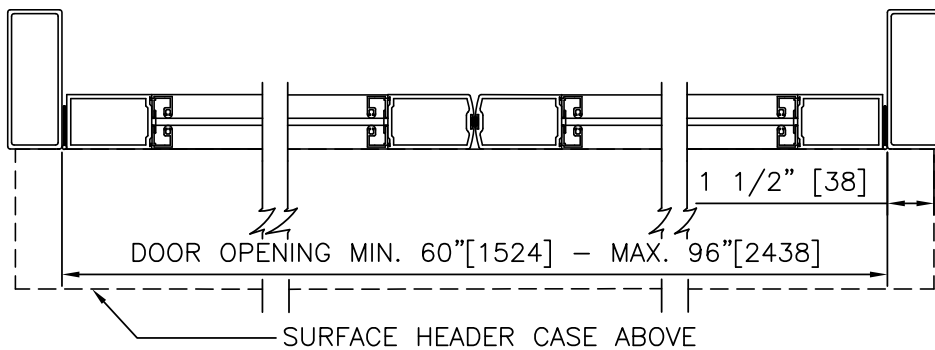
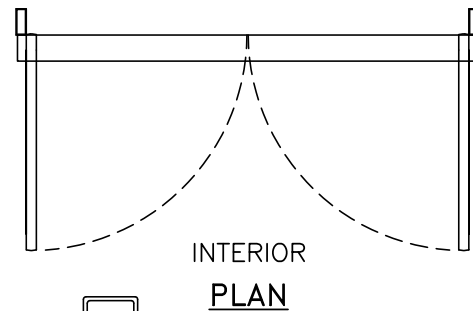
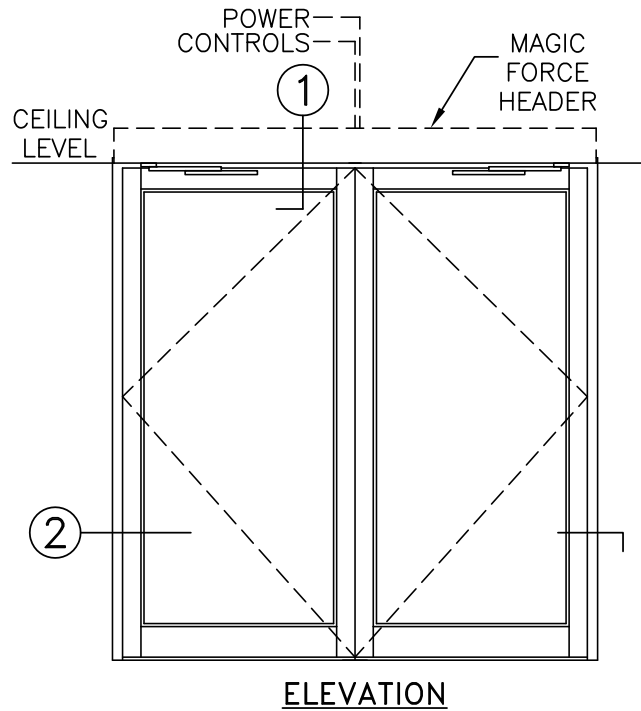
INTERIOR
PLAN

NOTES

1. DETAILS NOT TO SCALE.
2. ELECTRICAL REQUIREMENTS: BY ELECTRICAL CONTRACTOR
 - 2.1 120 VAC, 5 AMP MIN TO OPERATOR.
 - 2.2 CONTROL CIRCUIT FROM ACTIVATION TO OPERATOR.
3. DOORS, FRAMES, AND HARDWARE BY OTHERS.
4. DOORS MUST BE UN-LATCHED FOR PROPER OPERATION. PROVIDE TIME DELAY RELAY WHEN REQUIRED FOR PROPER OPERATION.
5. OPERATOR AND INSTALLATION TO COMPLY WITH ANSI/BHMA A156.19.
6. SEE SPECIFICATIONS FOR ADDITIONAL INFORMATION.



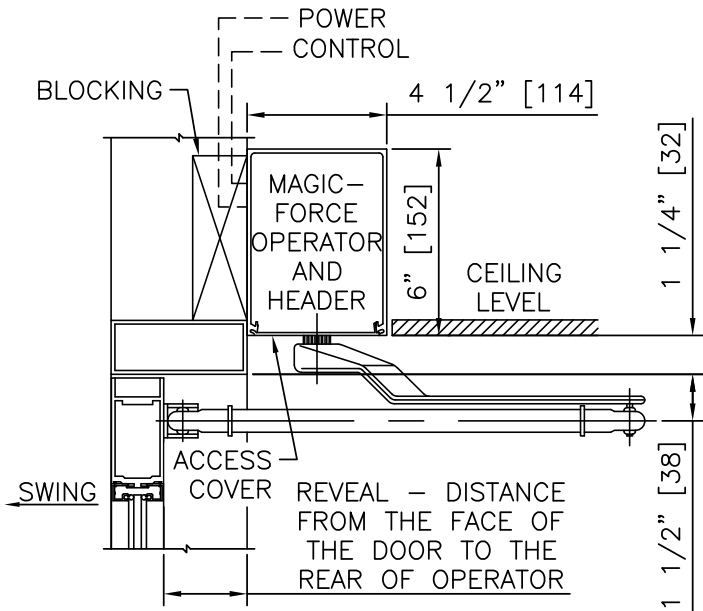
① VERTICAL SECTION



② HORIZONTAL SECTION

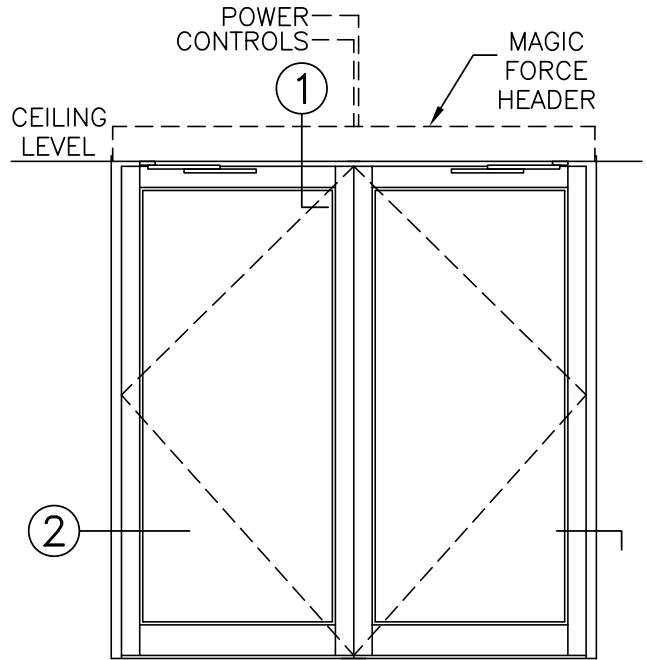
NOTES

1. DETAILS NOT TO SCALE.
2. ELECTRICAL REQUIREMENTS: BY ELECTRICAL CONTRACTOR
 - 2.1 120 VAC, 5 AMP MIN TO OPERATOR.
 - 2.2 CONTROL CIRCUIT FROM ACTIVATION TO OPERATOR.
3. DOORS, FRAMES, AND HARDWARE BY OTHERS.
4. DOORS MUST BE UN-LATCHED FOR PROPER OPERATION. PROVIDE TIME DELAY RELAY WHEN REQUIRED FOR PROPER OPERATION.
5. OPERATOR AND INSTALLATION TO COMPLY WITH ANSI/BHMA A156.19.
6. SEE SPECIFICATIONS FOR ADDITIONAL INFORMATION.

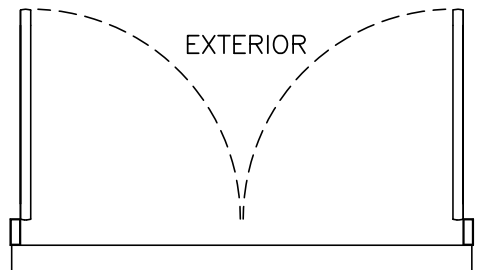


SURFACE "OUT"

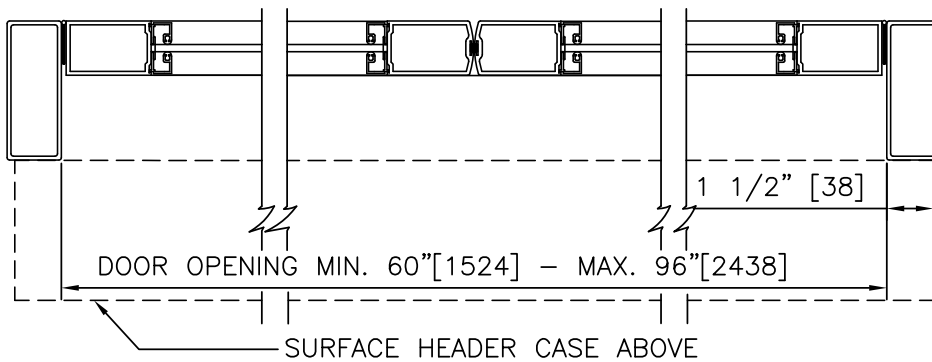
① VERTICAL SECTION



ELEVATION



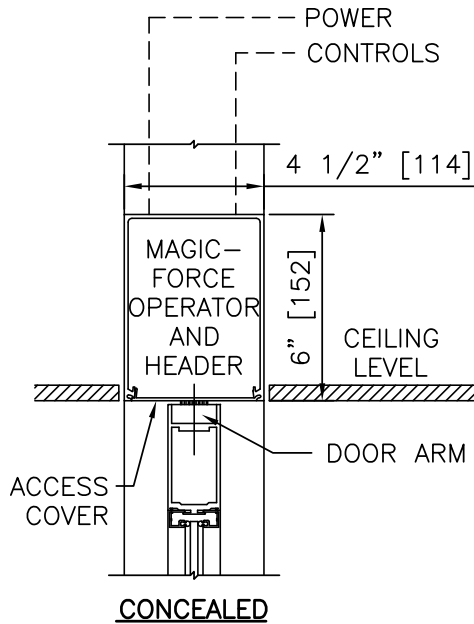
INTERIOR PLAN



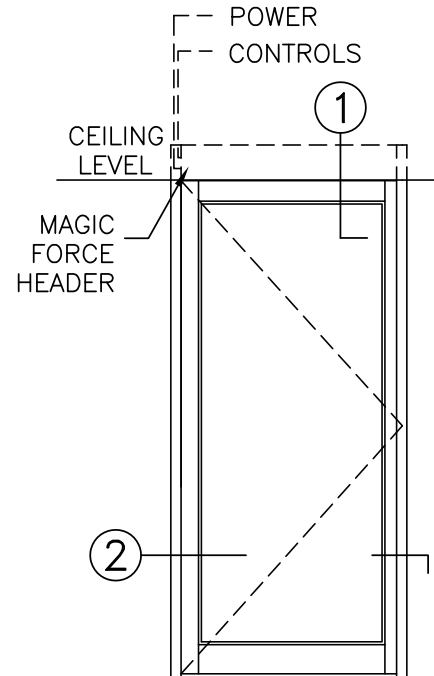
② HORIZONTAL SECTION

NOTES

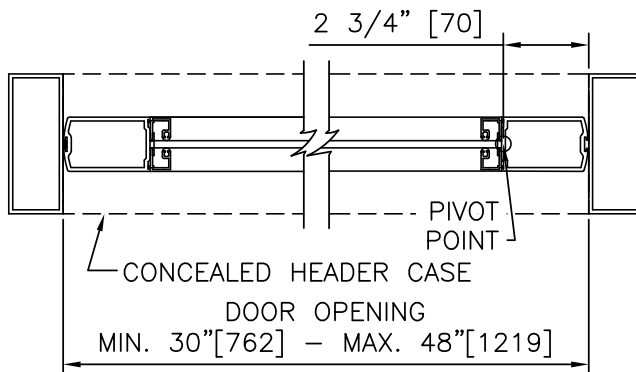
1. DETAILS NOT TO SCALE.
2. ELECTRICAL REQUIREMENTS: BY ELECTRICAL CONTRACTOR
 - 2.1 120 VAC, 5 AMP MIN TO OPERATOR.
 - 2.2 CONTROL CIRCUIT FROM ACTIVATION TO OPERATOR.
3. DOORS, FRAMES, AND HARDWARE BY OTHERS.
4. DOORS MUST BE UN-LATCHED FOR PROPER OPERATION. PROVIDE TIME DELAY RELAY WHEN REQUIRED FOR PROPER OPERATION.
5. OPERATOR AND INSTALLATION TO COMPLY WITH ANSI/BHMA A156.19.
6. SEE SPECIFICATIONS FOR ADDITIONAL INFORMATION.



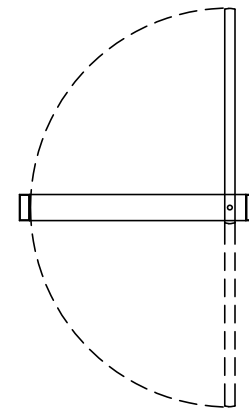
① VERTICAL SECTION



ELEVATION



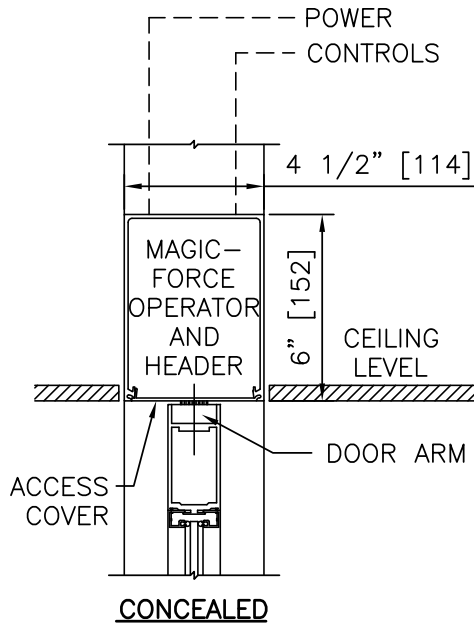
② HORIZONTAL SECTION



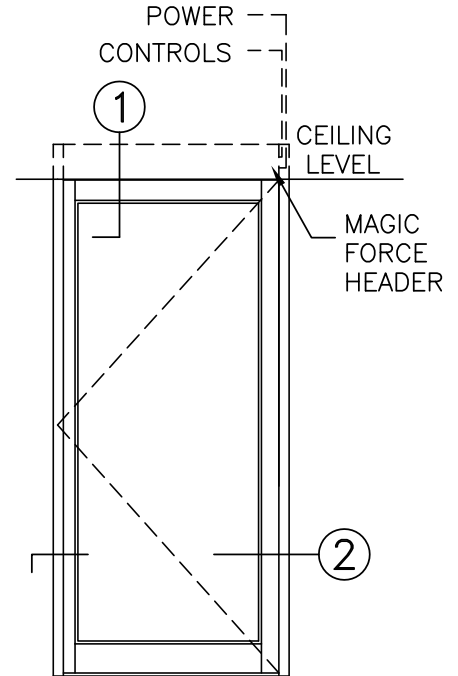
PLAN

NOTES

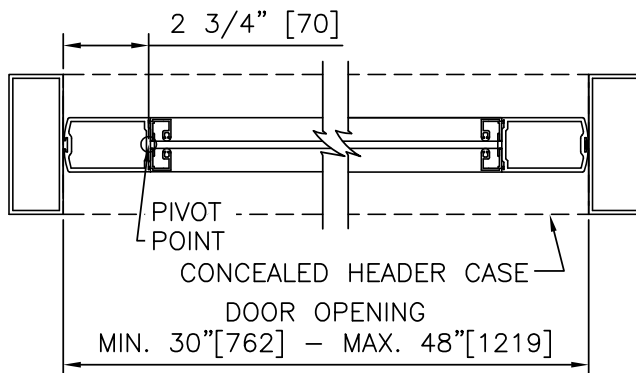
1. DETAILS NOT TO SCALE.
2. ELECTRICAL REQUIREMENTS: BY ELECTRICAL CONTRACTOR
 - 2.1 120 VAC, 5 AMP MIN TO OPERATOR.
 - 2.2 CONTROL CIRCUIT FROM ACTIVATION TO OPERATOR.
3. DOORS, FRAMES, AND HARDWARE BY OTHERS.
4. DOORS MUST BE UN-LATCHED FOR PROPER OPERATION. PROVIDE TIME DELAY RELAY WHEN REQUIRED FOR PROPER OPERATION.
5. OPERATOR AND INSTALLATION TO COMPLY WITH ANSI/BHMA A156.19.
6. SEE SPECIFICATIONS FOR ADDITIONAL INFORMATION.



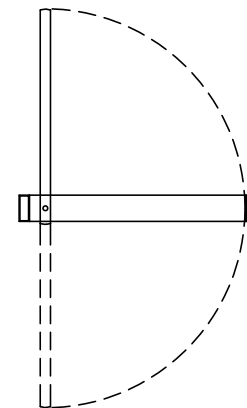
① VERTICAL SECTION



ELEVATION



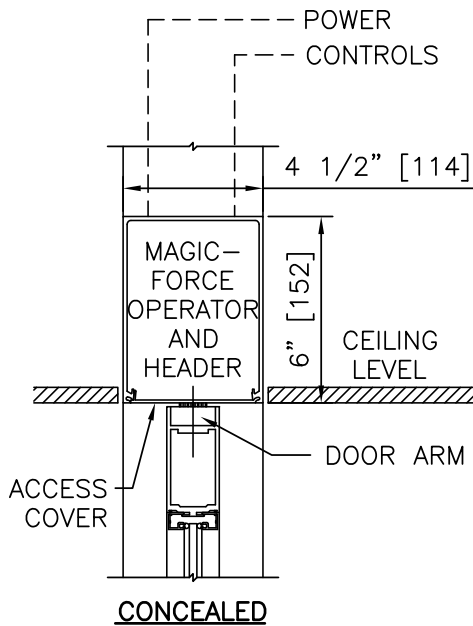
② HORIZONTAL SECTION



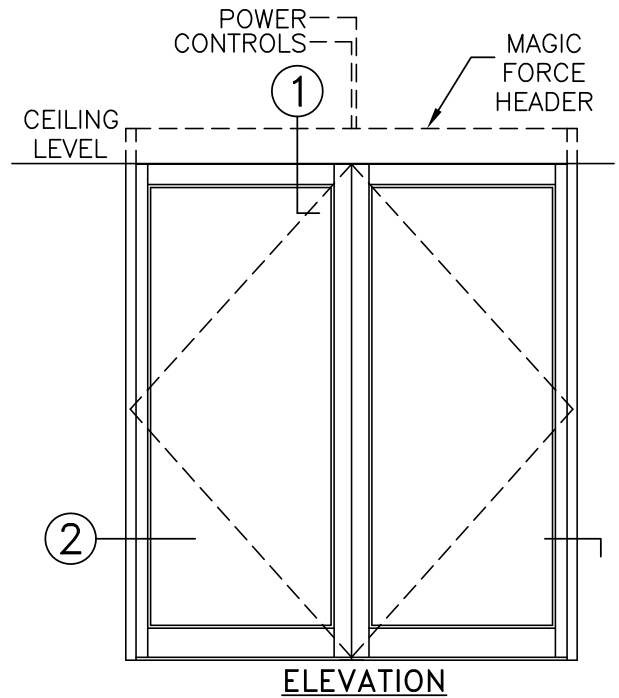
PLAN

NOTES

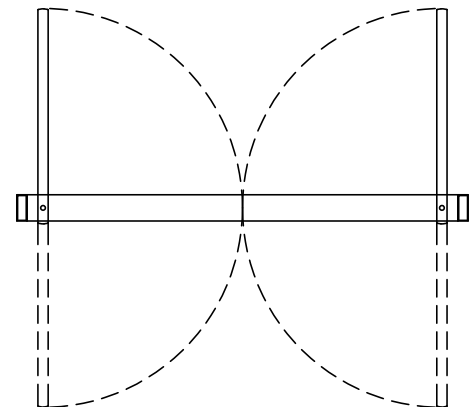
1. DETAILS NOT TO SCALE.
2. ELECTRICAL REQUIREMENTS: BY ELECTRICAL CONTRACTOR
 - 2.1 120 VAC, 5 AMP MIN TO OPERATOR.
 - 2.2 CONTROL CIRCUIT FROM ACTIVATION TO OPERATOR.
3. DOORS, FRAMES, AND HARDWARE BY OTHERS.
4. DOORS MUST BE UN-LATCHED FOR PROPER OPERATION. PROVIDE TIME DELAY RELAY WHEN REQUIRED FOR PROPER OPERATION.
5. OPERATOR AND INSTALLATION TO COMPLY WITH ANSI/BHMA A156.19.
6. SEE SPECIFICATIONS FOR ADDITIONAL INFORMATION.



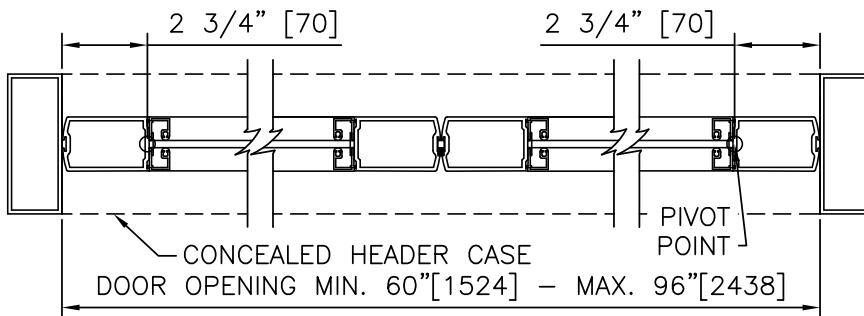
① VERTICAL SECTION



ELEVATION



PLAN



② HORIZONTAL SECTION

NOTES

1. DETAILS NOT TO SCALE.
2. ELECTRICAL REQUIREMENTS: BY ELECTRICAL CONTRACTOR
 - 2.1 120 VAC, 5 AMP MIN TO OPERATOR.
 - 2.2 CONTROL CIRCUIT FROM ACTIVATION TO OPERATOR.
3. DOORS, FRAMES, AND HARDWARE BY OTHERS.
4. DOORS MUST BE UN-LATCHED FOR PROPER OPERATION. PROVIDE TIME DELAY RELAY WHEN REQUIRED FOR PROPER OPERATION.
5. OPERATOR AND INSTALLATION TO COMPLY WITH ANSI/BHMA A156.19.
6. SEE SPECIFICATIONS FOR ADDITIONAL INFORMATION.